



ADO

**PVC PROFILE
TECHNICAL CATALOGUE**





INDEX

Ado Quality Certificate	5
Ado Profile Systems 3D	6
Ado Profile Systems Technic Detail	8
Penwood 883 MD & AD Serie	10
Penwood 750 Serie	14
Penwood 760 Serie	20
Penwood 632 Serie	26
Penwood 232 Sliding Serie	32
W 800- W 860 Serie	38
W 873 MD Serie	42
W 790 Serie	48
W 777 MD & AD Serie	54
W 752 - W 750 Serie	60
W 760 Serie	68
W 640 - W 642 Serie	74
W 634 Serie	80
W 632 Serie	86
W 624 Serie	92
WO 60 Serie	98
FR 60 & FR 70 Serie	104
W 330 - W 332 Serie	118
W 880 Hebeschiebe Serie	124
770 Thermo Sliding Serie	134
W 232 Sliding System with Single Rail	142
W 232 Sliding System	142
W 222 Sliding System	152
W 150 Sliding System	160
Roller Shutter Profile System	164
Shutter System	176
Glazing Bead Combination Table	178
Auxiliary Profile	181

ADO QUALITY CERTIFICATED

CLASSIFICATION OF PROPERTIES
Nr. 8/MLTB-935-2013

MOBILNE laboratorium

Company: **ADOPEN Plastik ve İnc. San. A.Ş.**
Organize Sanayi Bölgesi 2. Blok, 07060 Ankara, Türkiye

Product: **PENWOOD T90**

4	7A	C4	350 N
4	8A	C1 B2	
4	8A	C3 B4	

MOBILNE Laboratuvarı Teknik Bilgi Sistemi

Penwood CE

CENTRUM STAVENHOUD INVENTIEF A.A.
(Stavlenhoed Inventarisatie en Certificatie) **STI**

Company: **ADOPEN PLASTIK ve İNCE SANAYİ A.Ş.**
Organize Sanayi 2. Blok, Ankara, Turkey

CERTIFICATE
EN 12412-2

Product: **Composites 90 and non-wovens, T90 PENWOOD system**

Classification: **See Report**

Product and type: **Penwood T90**

Material: **See Report**

Manufacturer: **See Report**

Production: **See Report**

Approval: **See Report**

Validity: **See Report**

Signature: **See Report**

EN 12412-2 Uf:1.1W/(m².K)

if

Company: **ADOPEN PLASTIK ve İNCE SANAYİ A.Ş.**
Organize Sanayi Bölgesi 2. Blok, Ankara, Turkey

CERTIFICATE
EN 12412-2

Product: **Composites 90 and non-wovens, T90 PENWOOD system**

Classification: **See Report**

Product and type: **Penwood T90**

Material: **See Report**

Manufacturer: **See Report**

Production: **See Report**

Approval: **See Report**

Validity: **See Report**

Signature: **See Report**

ROSENHEIM - GERMANY

EMİ

Company: **ADOPEN PLASTIK San. A.Ş.**
TE, 07060 Organize Sanayi Bölgesi, Ankara, Turkey

Agreement Tehnic
001-02/639-2003

Product: **PENWOOD T90**

Classification: **See Report**

Product and type: **Penwood T90**

Material: **See Report**

Manufacturer: **See Report**

Production: **See Report**

Approval: **See Report**

Validity: **See Report**

Signature: **See Report**

EMI - HUNGARY

INCERC

Company: **ADOPEN PLASTIK ve İNCE SANAYİ A.Ş.**
Organize Sanayi Bölgesi 2. Blok, Ankara, Turkey

Agreement Tehnic
001-02/639-2003

Product: **PENWOOD T90**

Classification: **See Report**

Product and type: **Penwood T90**

Material: **See Report**

Manufacturer: **See Report**

Production: **See Report**

Approval: **See Report**

Validity: **See Report**

Signature: **See Report**

INCERC - ROMANIA

CIDEMCO

Company: **ADOPEN PLASTIK ve İNCE SANAYİ A.Ş.**
Organize Sanayi Bölgesi 2. Blok, Ankara, Turkey

Certificado de Ensayos
001-02/639-2003

Product: **PENWOOD T90**

Classification: **See Report**

Product and type: **Penwood T90**

Material: **See Report**

Manufacturer: **See Report**

Production: **See Report**

Approval: **See Report**

Validity: **See Report**

Signature: **See Report**

CIDEMCO - SPAIN

Certificate

Standard: **ISO 14001:2015**

Certificate Regsit. No: **01 18 021914**

Certificate holder: **ADOPEN**

Company: **ADOPEN Plastik ve İnc. San. A.Ş.**
Organize Sanayi Bölgesi 2. Blok, 07060 Ankara, Turkey

Scope: **Design, Production and Marketing of Unipolymers (PVC-U). Production for the Fabrication of Windows and Doors, Soft PVC Components, Sliding Glass Door Profiles, PVC Elements, Clear Panels, Solidcore Panels, PVC Beams, Plastic Polymer, Construction Water Systems, Polymer Road and Road Panels, Clear Road Drilling Pipes, Road Composite Doors, Composite Windows and Door Profiles, Manufacturing for Construction, Extruded Aluminium Profiles, Tube and Profiles, Production of Resistant Floor Coverings and Resistant Foreign Trade, Customs, Management and Administrative Organizational Activities and Transactions.**

Validity: **The certificate is valid from 2018-10-03 until 2021-11-26. First certification: 2018-10-04**

IAP **DAISS** **TÜV Rheinland**

ISO 14001:2015

Certificate

Standard: **ISO 9001:2015**

Certificate Regsit. No: **01 18 021914**

Certificate holder: **ADOPEN**

Company: **ADOPEN Plastik ve İnc. San. A.Ş.**
Organize Sanayi Bölgesi 2. Blok, 07060 Ankara, Turkey

Scope: **Design, Production and Marketing of Unipolymers (PVC-U). Production for the Fabrication of Windows and Doors, Soft PVC Components, Sliding Glass Door Profiles, PVC Elements, Clear Panels, Solidcore Panels, PVC Beams, Plastic Polymer, Construction Water Systems, Polymer Road and Road Panels, Clear Road Drilling Pipes, Road Composite Doors, Composite Windows and Door Profiles, Manufacturing for Construction, Extruded Aluminium Profiles, Tube and Profiles, Production of Resistant Floor Coverings and Resistant Foreign Trade, Customs, Management and Administrative Organizational Activities and Transactions.**

Validity: **The certificate is valid from 2018-10-03 until 2021-11-26. First certification: 2018-10-04**

IAP **DAISS** **TÜV Rheinland**

ISO 9001:2015

ADO PROFILE SYSTEMS



Penwood 883 MD & AD



Penwood 750



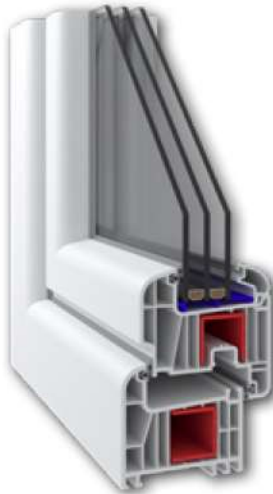
Penwood 760



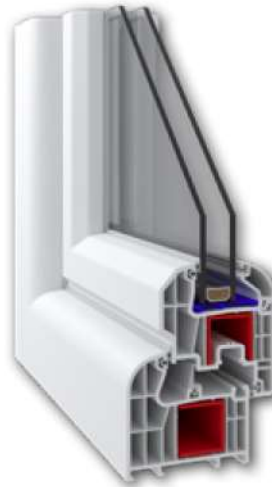
Penwood 632



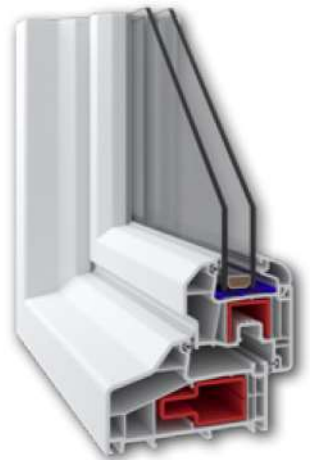
Penwood 232 Sliding



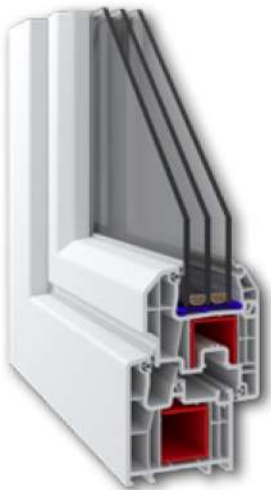
W 800 / W 860



W 873 MD & AD



W 790



W 777 MD & AD



W 752 / W 750



W 760



W 642 / W 640



**DARK BLACK
ST 520**



**DARK BLACK
AS 520**



**SWAMP OAK
ST 503**



**SAND GREY
AS 509**



**SAND GREY
ST 509**



**ANTRASIT GREY
ST 508**



**ANTRASIT GREY
AS 508**



**ANTRASIT GREY
ST 516**



**GREY
ST 507**



**SILVER
SB 518**



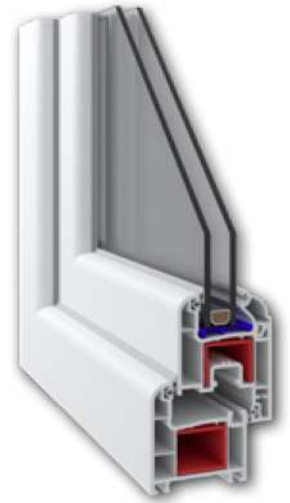
W 634



W 632 - W 630



W 624



WO 60



FR 60 & FR 70



W 330 / W 332



**W 880
(HEBESCHIEBE)**



**770 THERMO SLIDING
SERIES**



**W 232 SLIDING
SYSTEM**



**W 222 SLIDING
SYSTEM**



**W 150 SLIDING
SYSTEM**



W ROLLER SHUTTER



SHUTTER



**MAHOGANY
ST 504**



**P. DARK OAK
ST 541**



**P. GOLDEN OAK
ST 540**



**NATURAL OAK
HR 570**



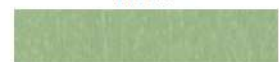
**SILVER TEAK
SB 513**



**WHITE
ST 517**

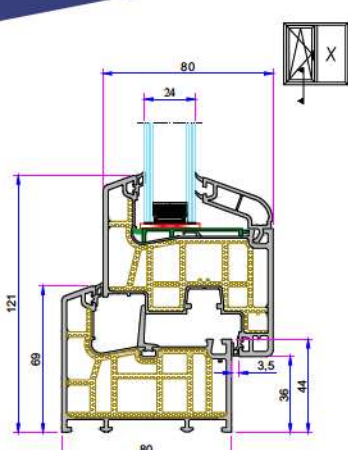


**LAKE BLUE
ST 522
for Penwood**

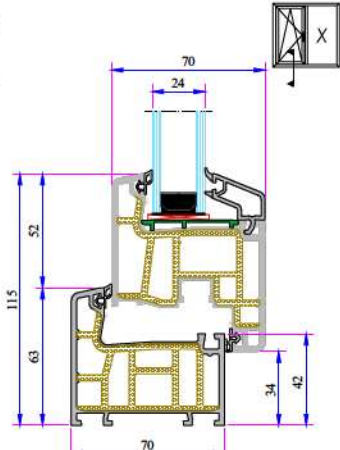


**MOSS GREEN
ST 521
for Penwood**

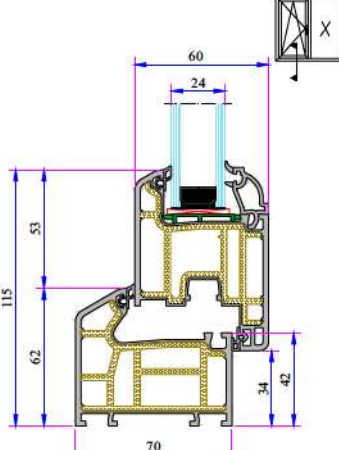
ADO PROFILE SYSTEMS



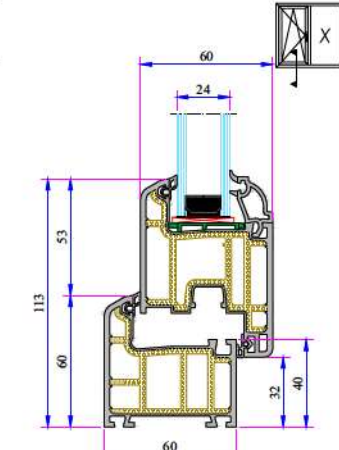
PENWOOD 883 MD & AD SERIES



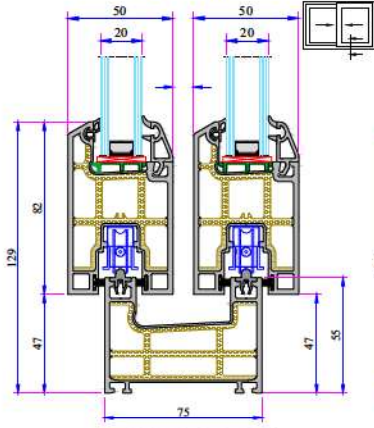
PENWOOD 750 SERIES



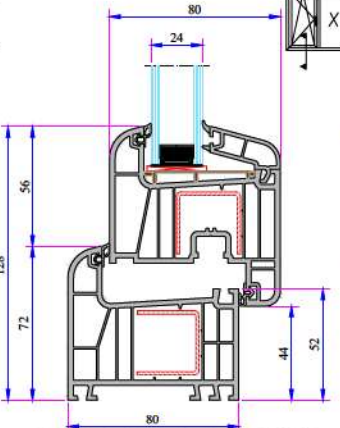
PENWOOD 760 SERIES



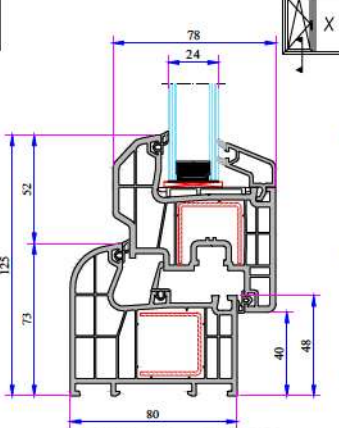
PENWOOD 632 SERIES



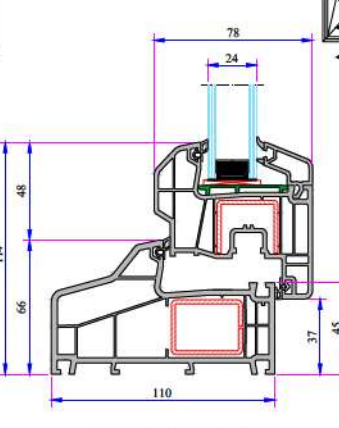
PENWOOD 232 SLIDING SERIES



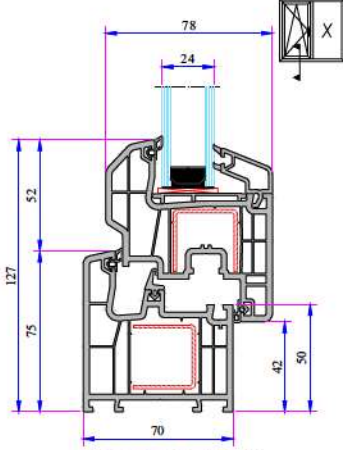
W 800 / W 860 SERIES



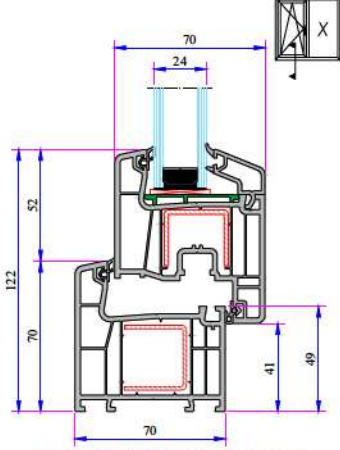
W 873 MD SERIES



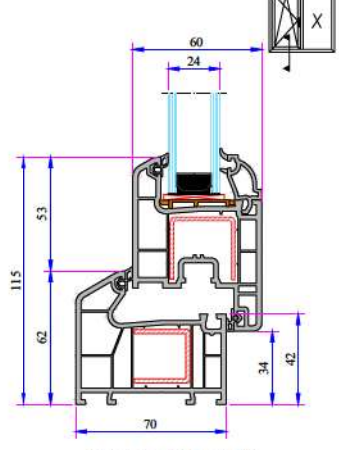
W 790 SERIES



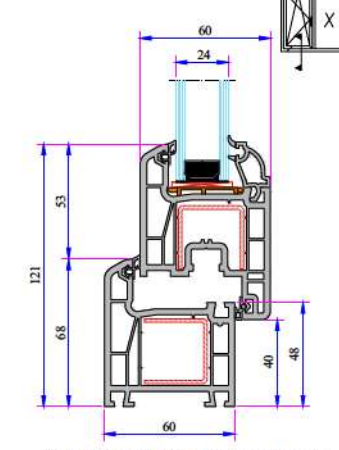
W 632 SERIES



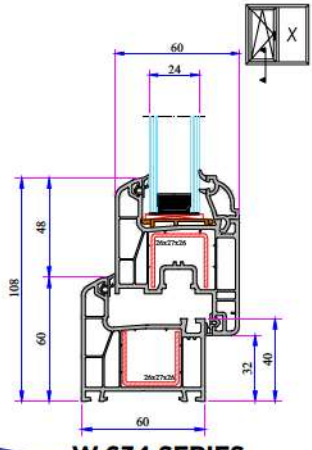
W 752 / W 750 SERIES



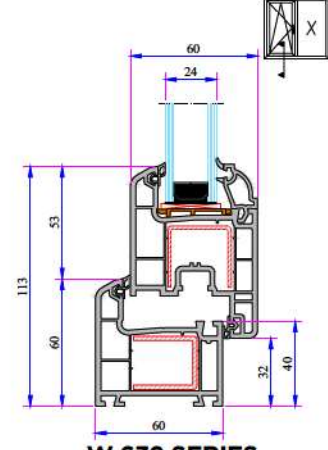
W 760 SERIES



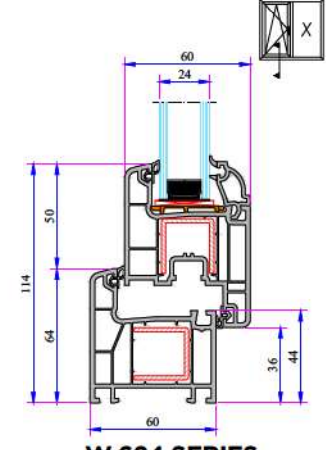
W 640 / W 642 SERIES



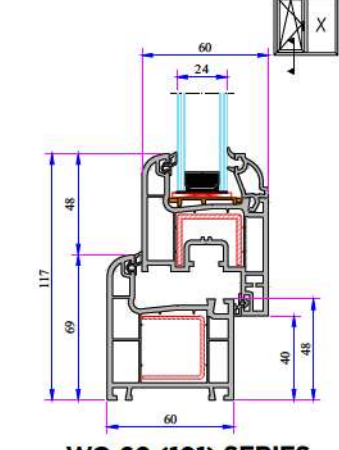
W 634 SERIES



W 632 SERIES

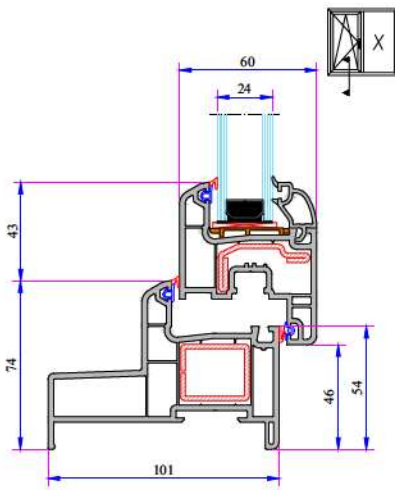


W 624 SERIES

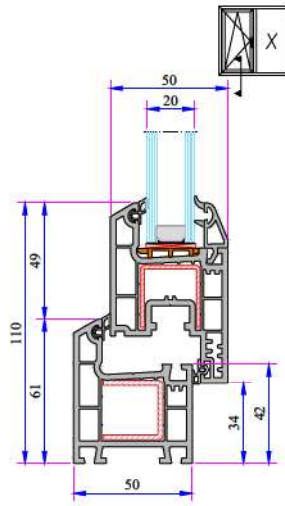


WO 60 (101) SERIES

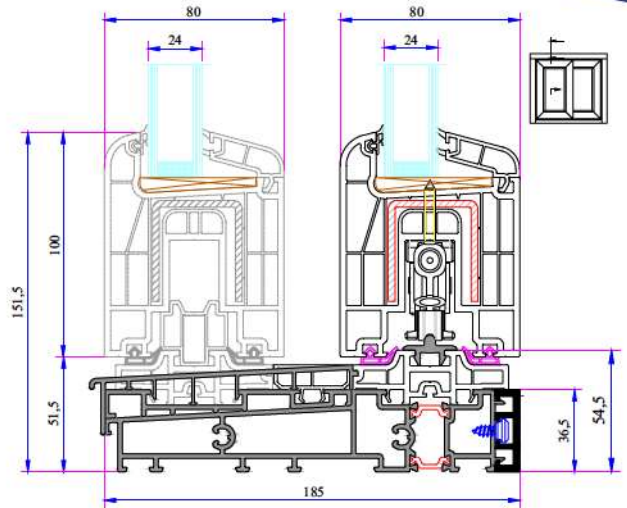
ADO PROFILE SYSTEMS



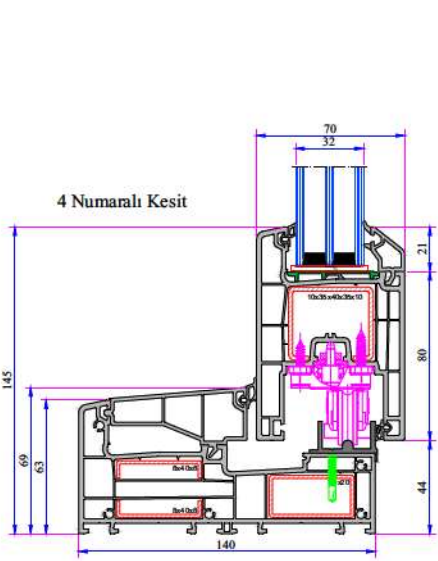
W FR 60 SERIES



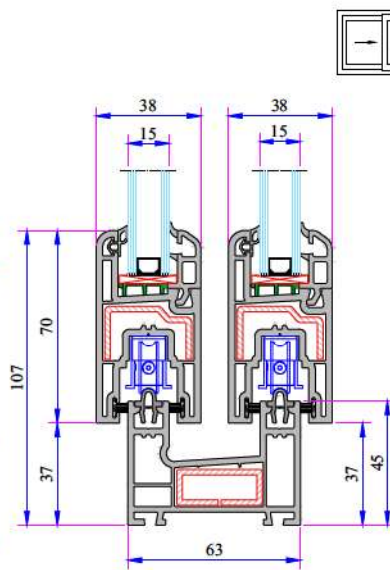
W 330 / W 332 SERIES



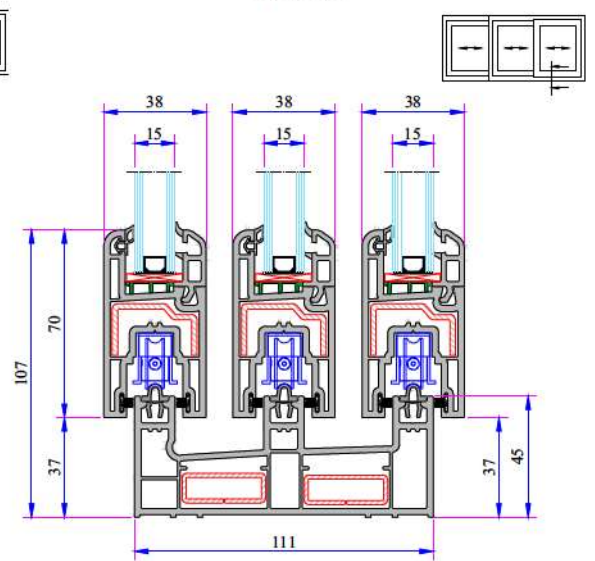
W 880 (HEBESCHIEBE) SERIES



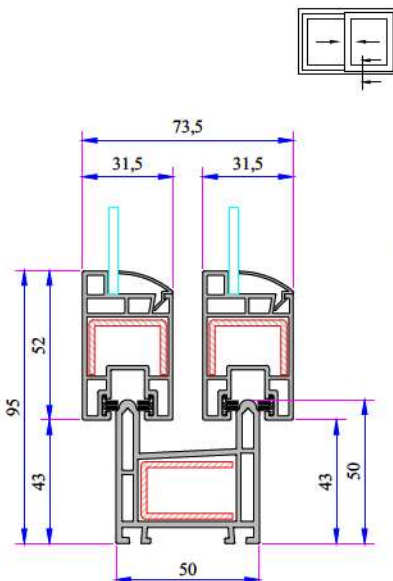
770 THERMO SLIDING SERIES



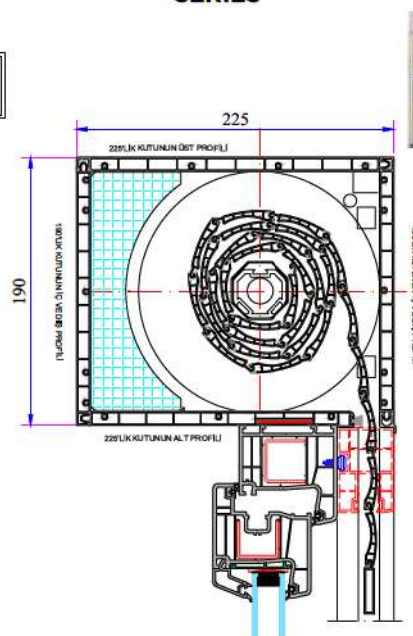
W 232 SLIDING SYSTEM WITH DOUBLE RAIL SERIES



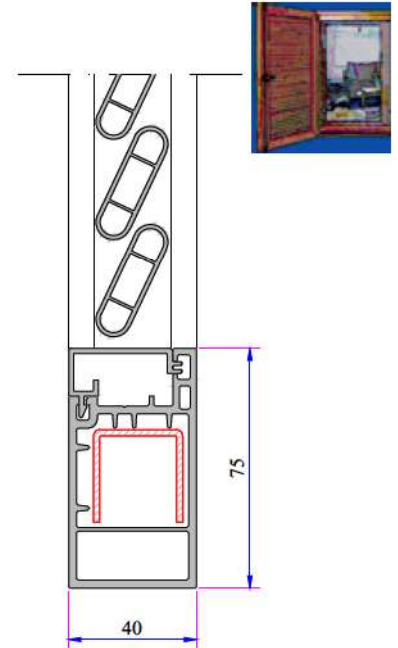
W 222 SLIDING SYSTEM SERIES



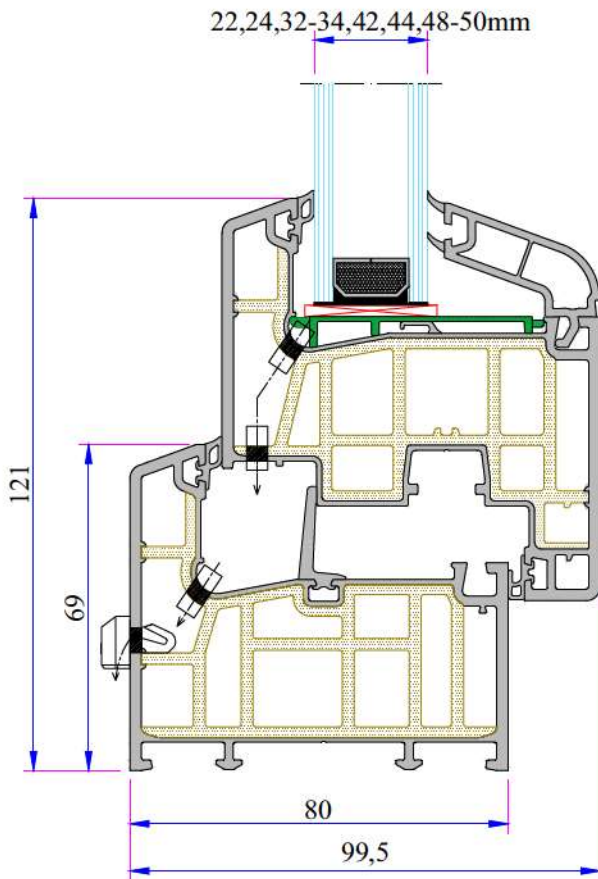
W 150 SLIDING SYSTEM SERIES



W ROLLER SHUTTER SERIES



SHUTTER SERIES



TECHNICAL

PENWOOD 883 MD & AD SERIES

Profile Width: 80 mm

Number of chambers: 6 chambers system

Profile Class: B Class (TS EN 12608-1)

Seal Type: Triple seal system (External / Internal / Middle)

Seal Type and Color: TPE - Grey /Black

Glass Thickness (mm): 22, 24, 32-34, 42, 44, 48-50 mm

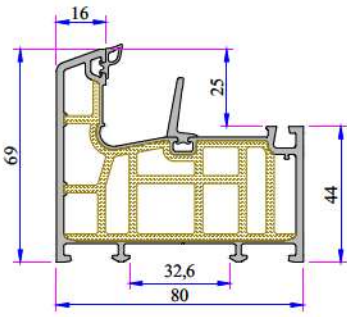
The thermal insulation Uf: 0,90W/m²K

Uw: 0,77 W/m²K

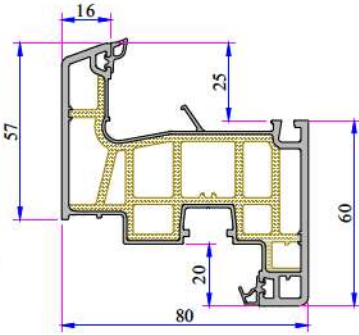
INSTRUCTION

- 80 mm profile system. Because of the composite profile extruded together, No need for extra metal reinforcement inside.
- No need for reinforcement cutting screwing unit and workman.
- Compared with metal reinforcement system profile, it has %30 more advantages with max heat-sound and water insulation.
- Just cut and weld. You do not need Metal Reinforcement and extra stock area for Metal Reinforcement.
- Possibility to install single 4-6 mm or double glazing 22, 24, 32 - 34, 42, 44, 48 - 50 mm with different thickness of glazing bead.
- It has water drainage channel, it can be directly drilled after cutting.
- Color range for laminated products.
- It's quality is accredited by national and international certificates.

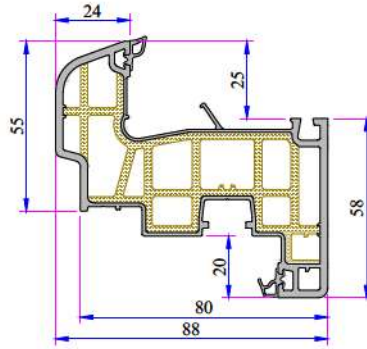
PENWOOD 883 MD & AD SERIES PVC PROFILE SYSTEM



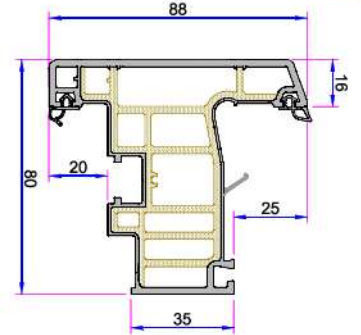
Frame Profile
883.1000.2.BC
(without mid. seal)
883.1000.2.SC
(with mid. seal)



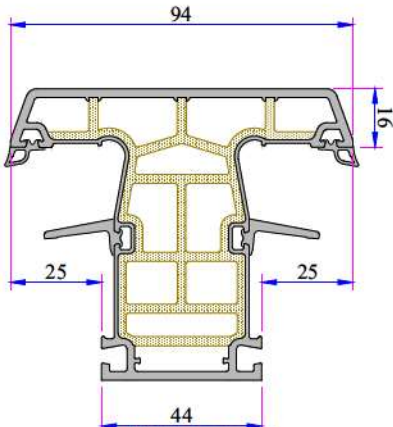
Sash Profile
883.2000.2



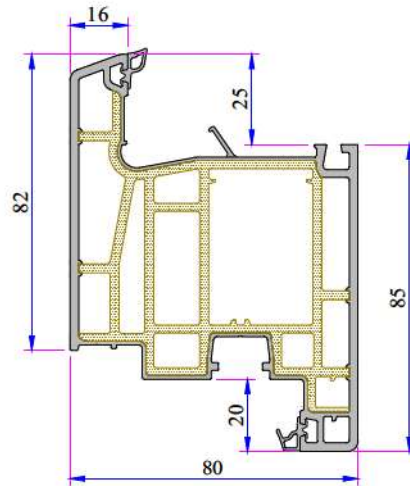
Offset Type Sash Profile
883.2200.2



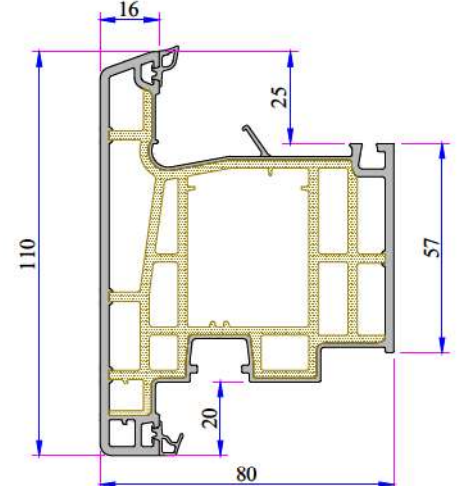
Outward Opening Sash Profile
883.2001.2



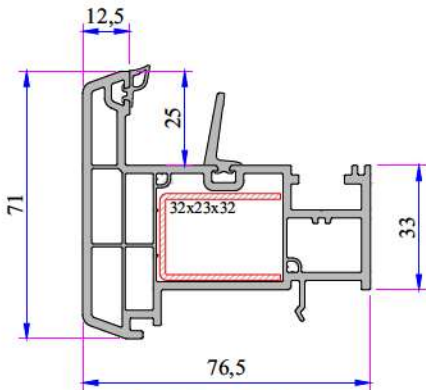
Mullion Profile
883.3000.2.BC (without mid. seal)
883.3000.2.SC (with mid. seal)



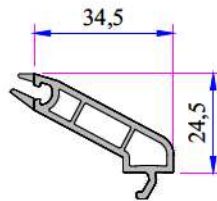
Door Sash Profile
883.2100.2



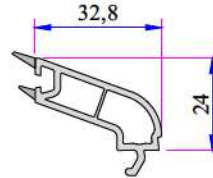
Outward Opening Door Sash Profile
883.2101.2



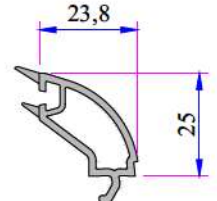
Lap Joint Profile
883.3100 .BC (without mid. seal)
883.3100 .SC (with mid. seal)



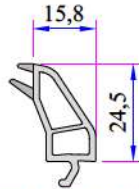
Glazing Bead 22mm
433.4000



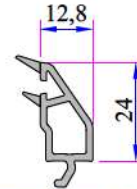
Glazing Bead 24mm
883.4204



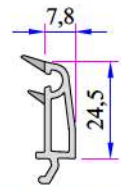
Glazing Bead 32-34mm
777.4204



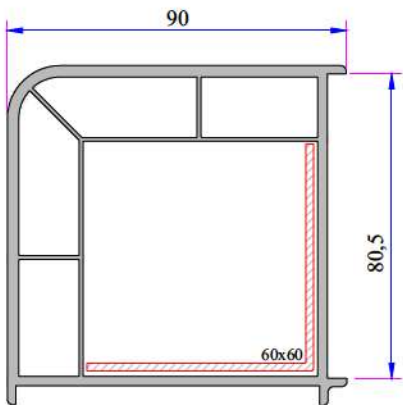
Glazing Bead 42mm
433.4200



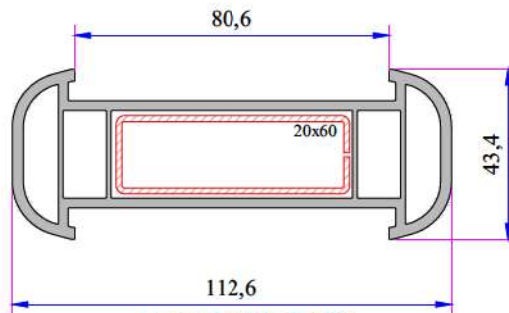
Glazing Bead 44mm
883.4800



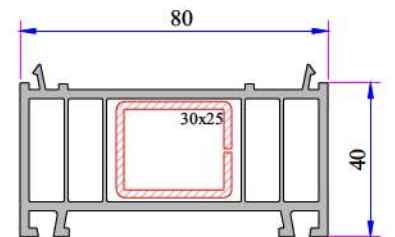
Glazing Bead 48-50mm
433.4500



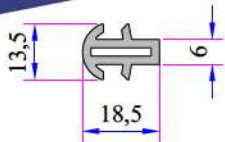
90° Corner Profile
080.5100



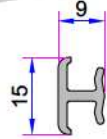
Large Couple Profile
080.5000



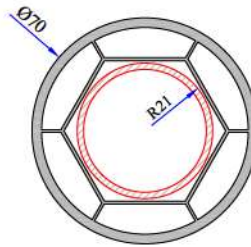
Frame Lifting Profile
080.5300



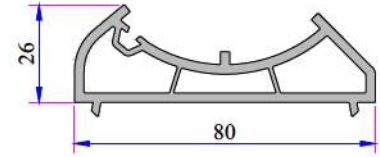
Short Couple Profile
099.5003



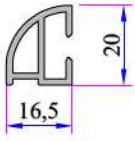
Universal Short Coupling Profile
099.5004



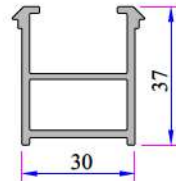
Pipe Profile
070.5106



Angled Pipe Adaptor Profile
080.5104

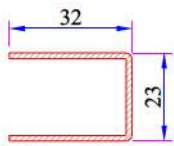


Offset Profile
900.6307

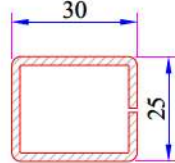


Frame Montage Profile
060.5301

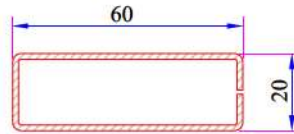
883 Penwood Re-Inforcement Profiles



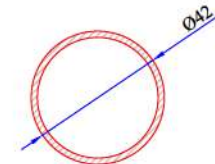
Lap Joint Profile Reinforcement
34027-12045



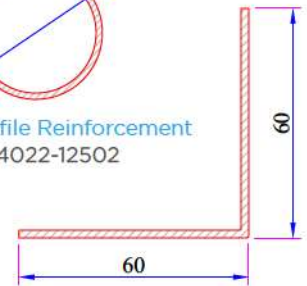
Frame Lifting Profile Reinforcement
34022-12119



Large Coupling Profile Reinforcement
34022-12106

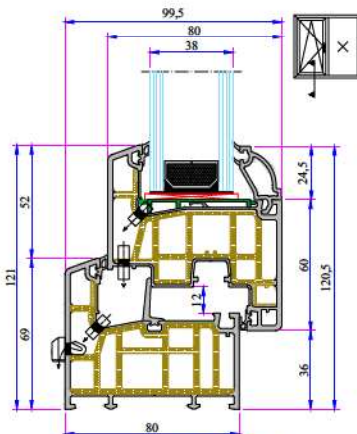


Pipe Profile Reinforcement
34022-12502

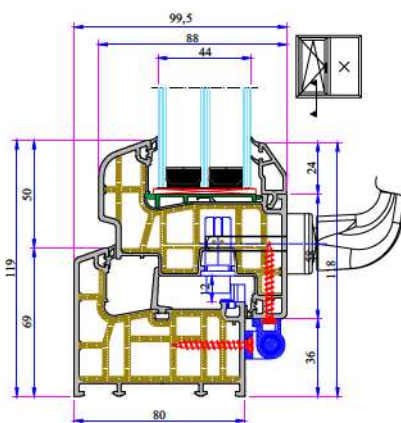


90° Corner Profile Reinforcement
34022-12306

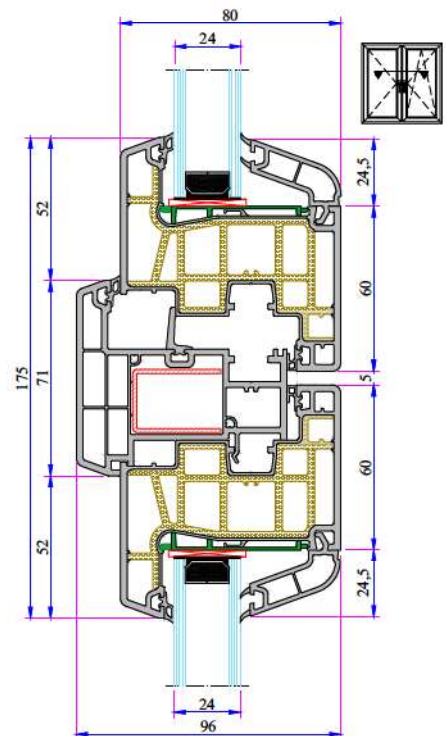
883 Penwood Installation



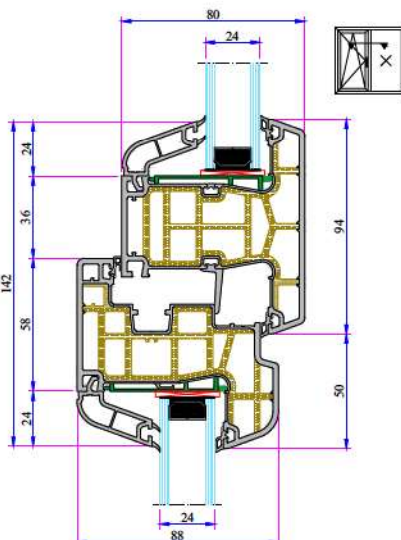
Frame - Sash Installation



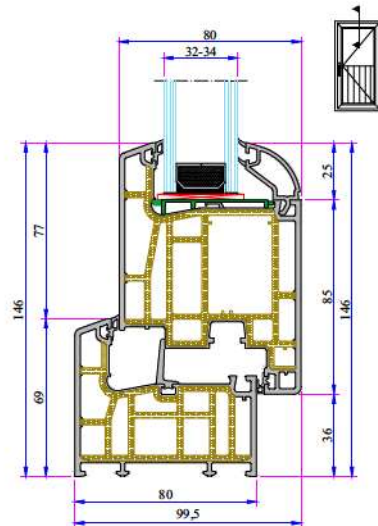
Frame - Offset Type Sash Installation



Sash - Lap Joint - Sash Installation

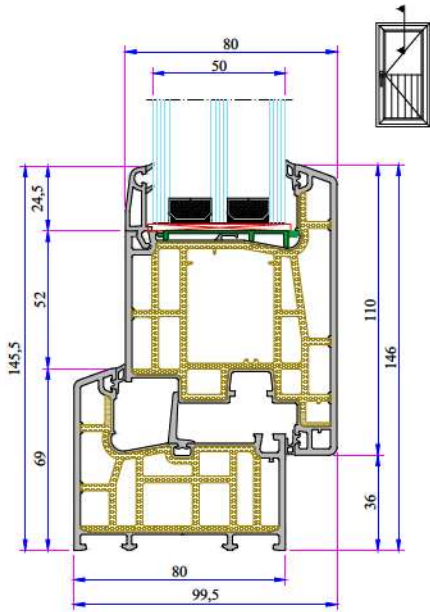


Mullion - Offset Type Sash Installation

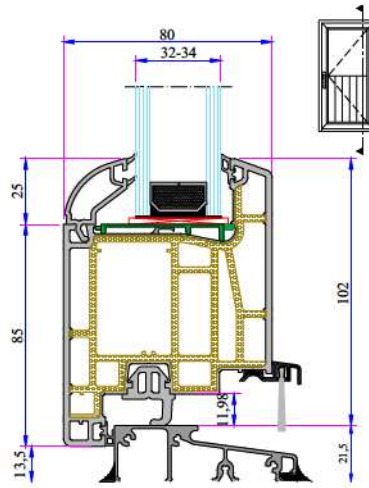


Frame - Door Sash Installation

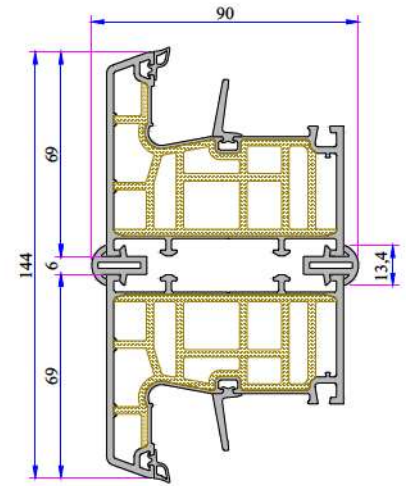
PENWOOD 883 MD & AD SERIES PVC PROFILE SYSTEM



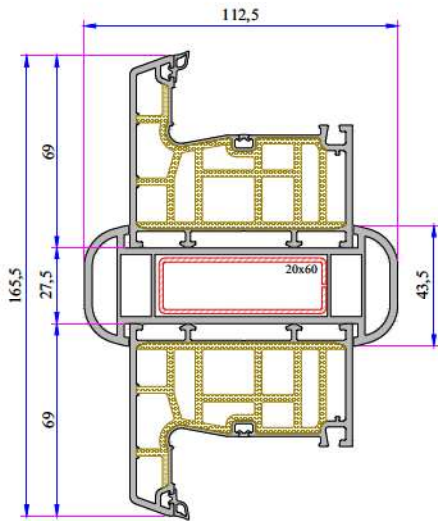
Frame - Outward Opening Door Sash Installation



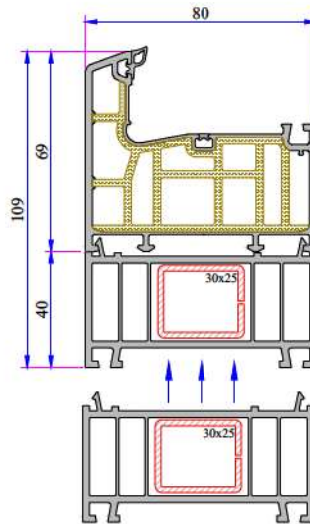
Aluminium Threshold Profile Installation



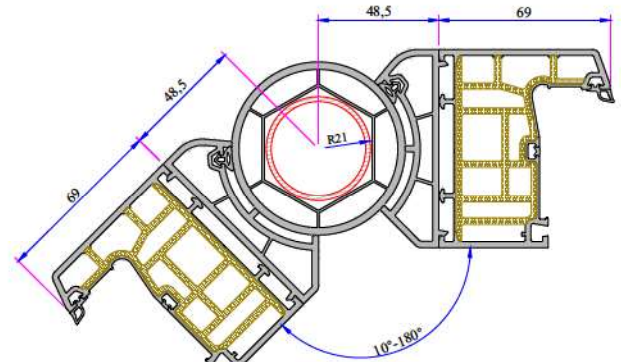
Short Coupling Profile Installation



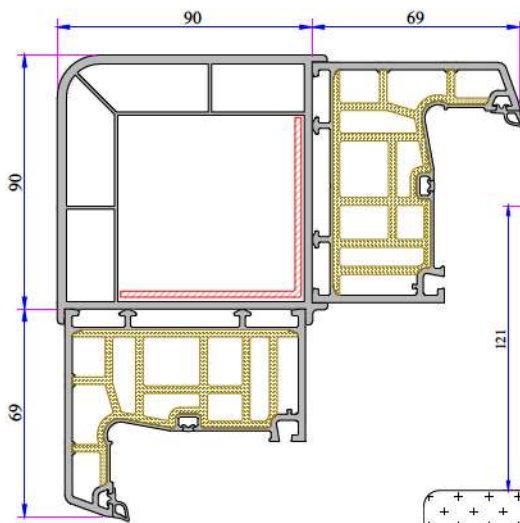
Large Coupling Profile Installation



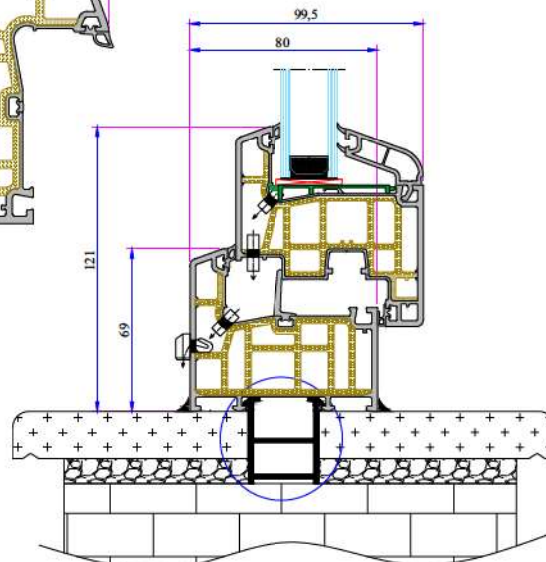
Frame Lifting Profile Installation



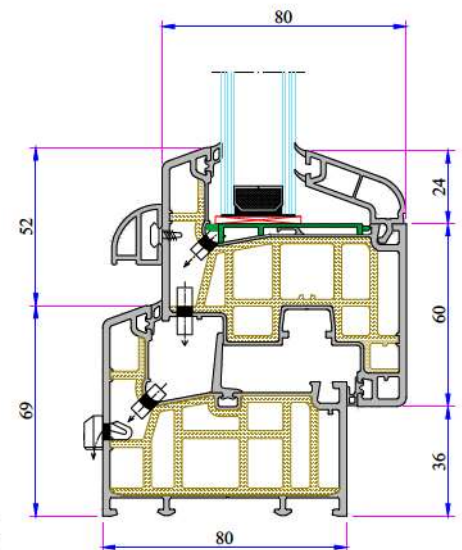
135° Corner Profile Installation



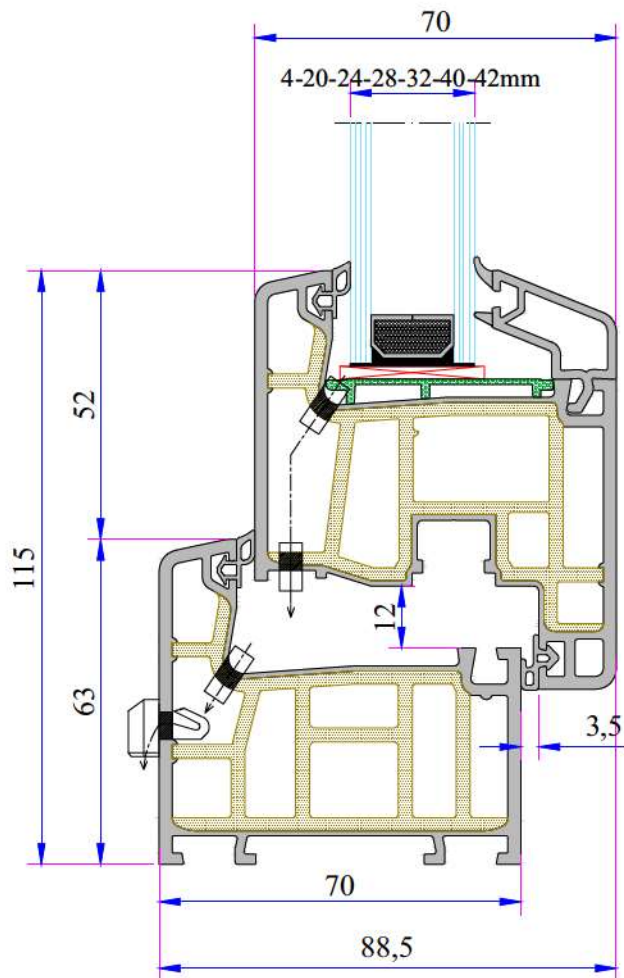
90° Corner Profile Installation



Frame Montage Profile Installation



Offset Type Profile Profile Installation



TECHNICAL

Penwood 750 SERIES

Profile Width: 70 mm

Number of chambers: 5 chambers system

Profile Class: B Class (TS EN 12608-1)

Seal Type: External / Internal double seal system

Seal Type and Color: TPE - Grey /Black

Glass Thickness (mm): 4, 20, 24, 28, 32, 40, 42 mm

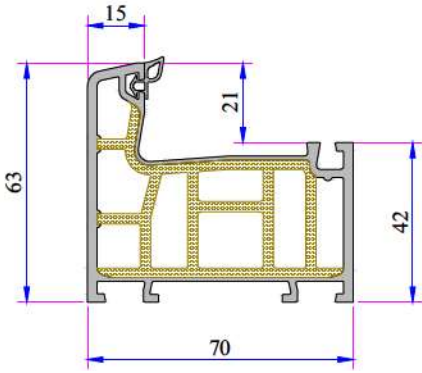
The thermal insulation Uf: 1,1W/m²K

Uw: 0,89 W/m²K

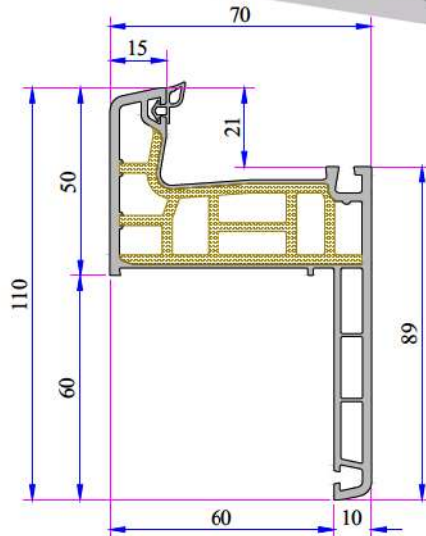
INSTRUCTION

- 70 mm profile system. Because of the composite profile extruded together, No need for extra metal reinforcement inside.
- No need for reinforcement cutting screwing unit and workman.
- Compared with metal reinforcement system profile, it has %30 more advantages with max heat-sound and water insulation.
- Just cut and weld. You do not need Metal Reinforcement and extra stock area for Metal Reinforcement.
- Possibility to install single 4-6 mm or double glazing 20, 24, 28, 32, 40, 42 mm with different thickness of glazing bead.
- It has water drainage channel, it can be directly drilled after cutting.
- Color range for laminated products.
- It's quality is accredited by national and international certificates.

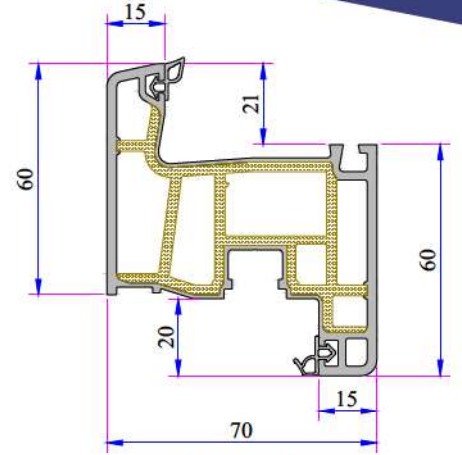
**PENWOOD 750 SERIES
PVC PROFILE SYSTEM**



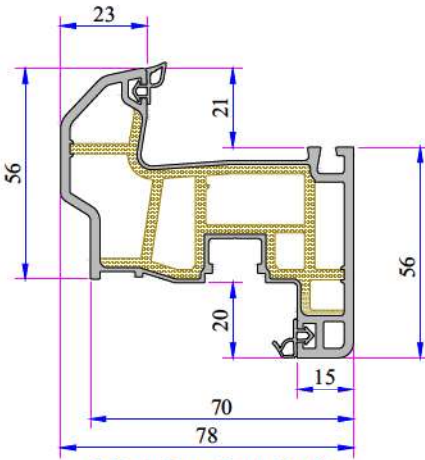
Frame Profile
750.1000.2



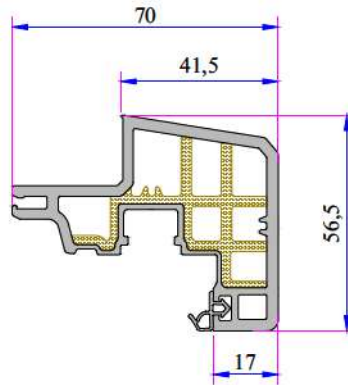
Frame Profile with Sill
750.1200.2
750.1200.2.PC (with Double Seal)



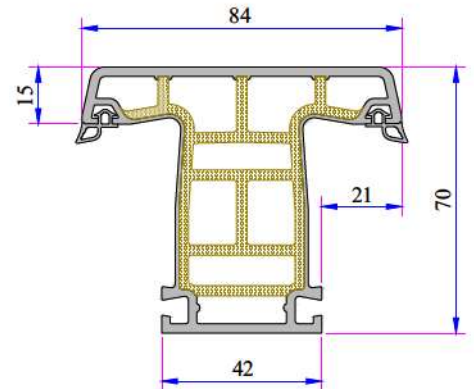
Sash Profile
750.2000.2



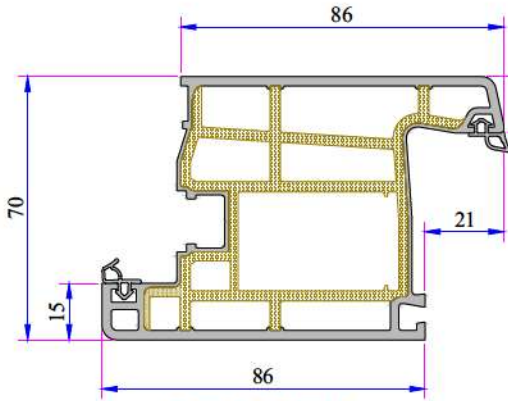
Offset Type Sash Profile
750.2200.2



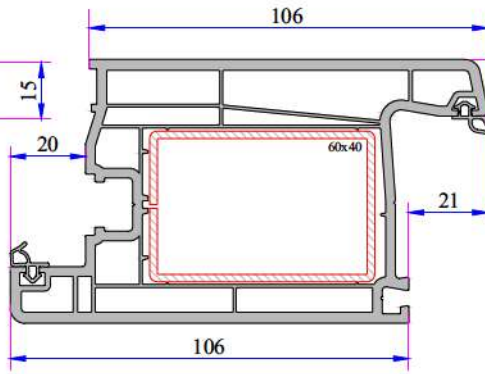
Glazing Sash Profile
750.2015.2



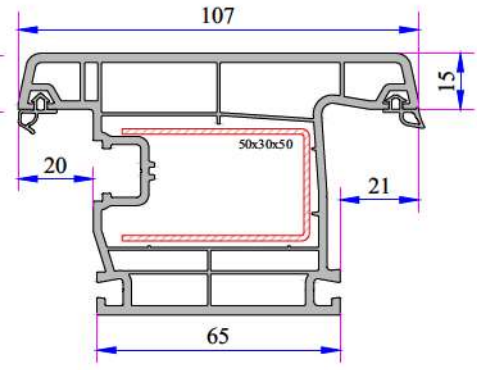
Mullion Profile
750.3000.2



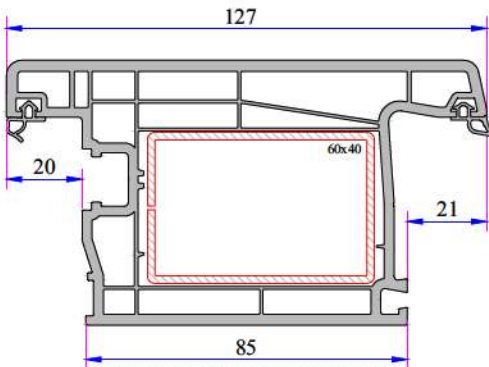
Door Sash Profile
750.2100.2



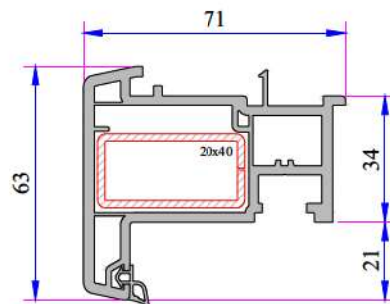
Super Door Sash Profile
750.2103



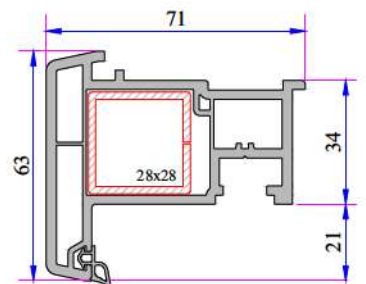
Outward Opening Door Sash Profile
750.2101



Outward Opening Super
Door Sash Profile
752.2104

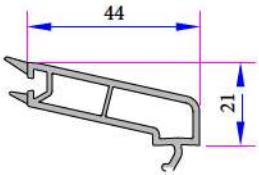


Static Lap Joint Profile (Spiked)
750.3101

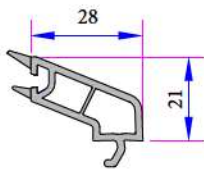


Lap Joint Profile
750.3100

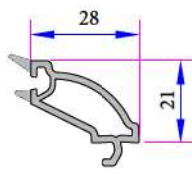
PENWOOD 750 SERIES PVC PROFILE SYSTEM



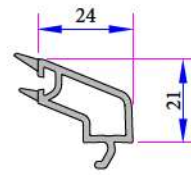
Single Glazing Bead 4-6 mm
750.4000



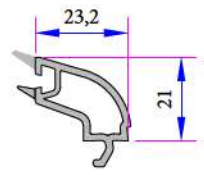
Double Glazing Bead 20 mm
750.4100



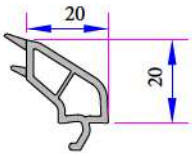
Dec. Double Glazing Bead 20 mm
750.4102



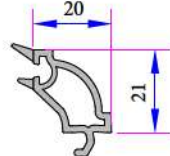
Double Glazing Bead 24 mm
750.4200



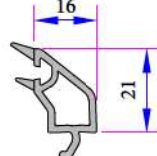
Dec. Glazing Bead 24 mm
750.4204



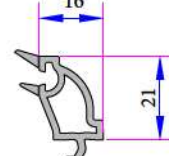
Double Glazing Bead 28 mm
101.4100



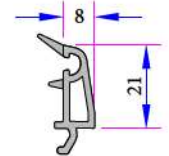
Dec. Double Glazing Bead 28 mm
101.4102



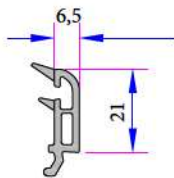
Triple Glazing Bead 32 mm
750.4500



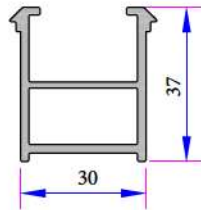
Dec. Triple Glazing Bead 32 mm
101.4202



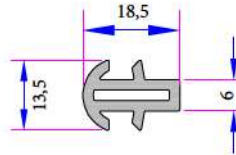
Triple Glazing Bead 40 mm
101.4500



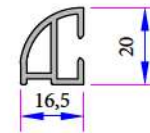
Triple Glazing Bead 42 mm
532.4500



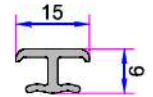
Frame Montage Profile
060.5301



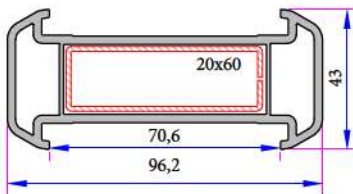
Coupling Profile
099.5003



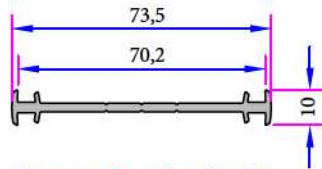
Offset Profile
900.6307



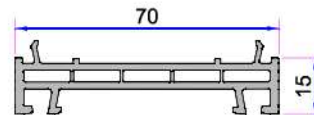
Universal Short Coupling Profile
099.5004



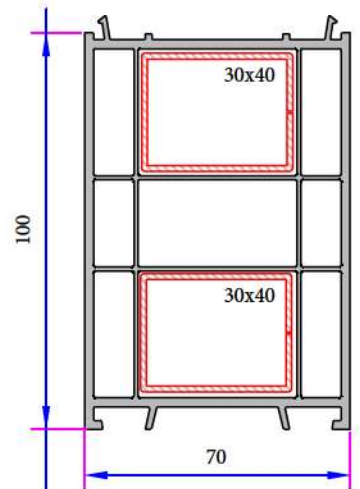
Large Coupling Profile
070.5000



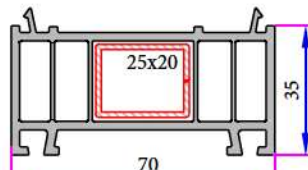
Narrow Coupling Profile
070.5001



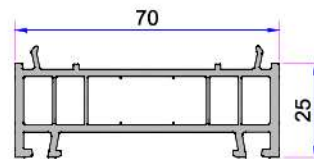
Frame Lifting Profile 15 mm
070.5304



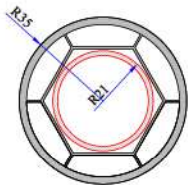
Frame Lifting Profile 100 mm
070.5302



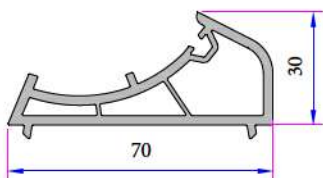
Frame Lifting Profile 35 mm
070.5300



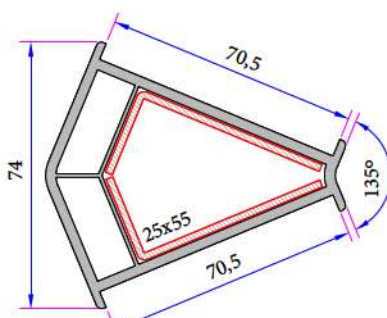
Frame Lifting Profile 25 mm
070.5306



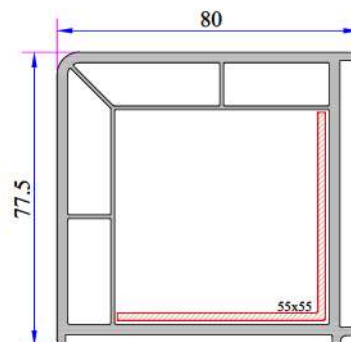
Pipe Profile
070.5106



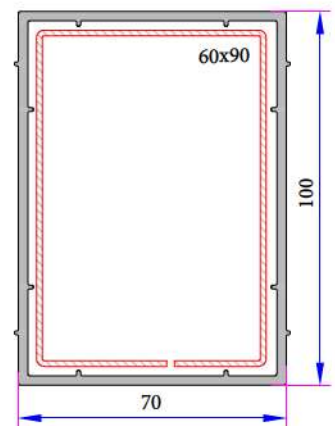
Angle Pipe Adaptor Profile
070.5104



135° Corner Profile
070.5102



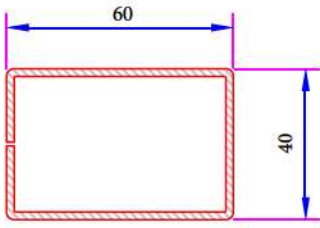
90° Corner Profile
070.5100



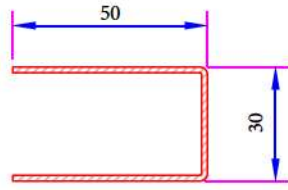
70x100 mm Box Profile
070.5202

PENWOOD 750 SERIES PVC PROFILE SYSTEM

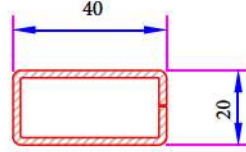
750 Penwood Re-Inforcement Profiles



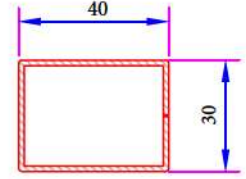
Outward Opening Super Door Sash Profile Reinforcement
34022 - 12110



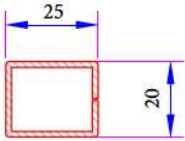
Outward Opening Door Sash Profile Reinforcement
34022 - 12013



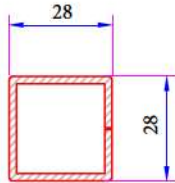
Lap Joint Frame Lifting Profile Reinforcement
34022 - 12114



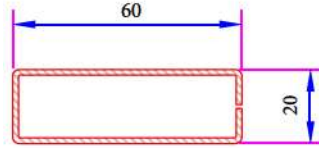
100mm Frame Lifting Reinforcement
34022-12120



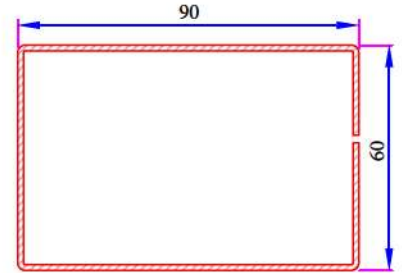
35mm Frame Lifting Reinforcement
34022 - 12104



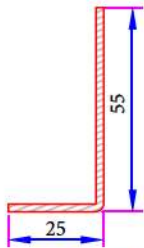
Lap Joint Prpfile Reinforcement
34022 - 12113



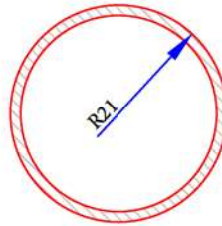
Large Coupling Profile Reinforcement
34022 - 12106



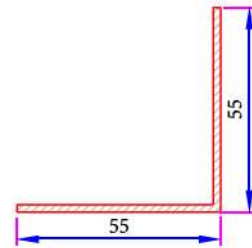
70x100 Box Profile Reinforcement
34022-12121



135° Corner Profile Reinforcement
34022 - 12303

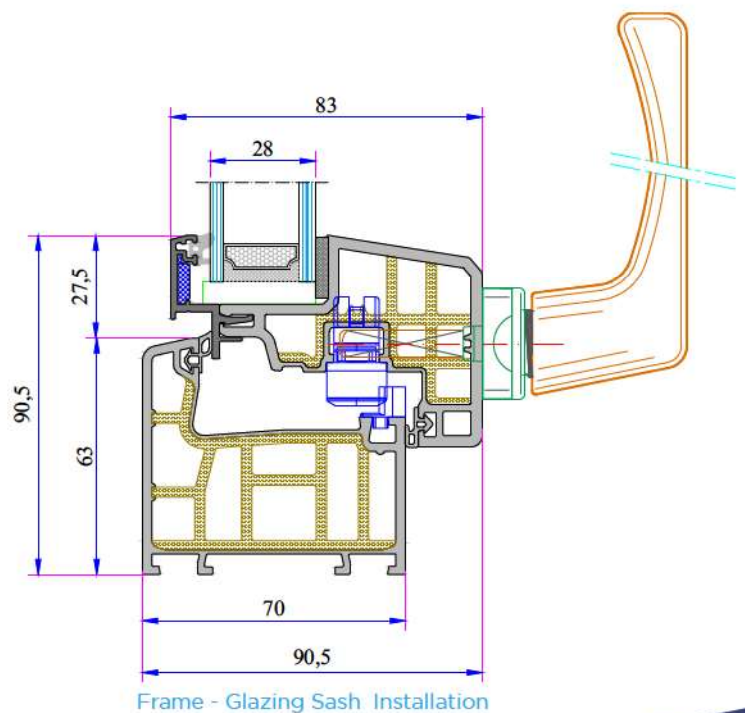
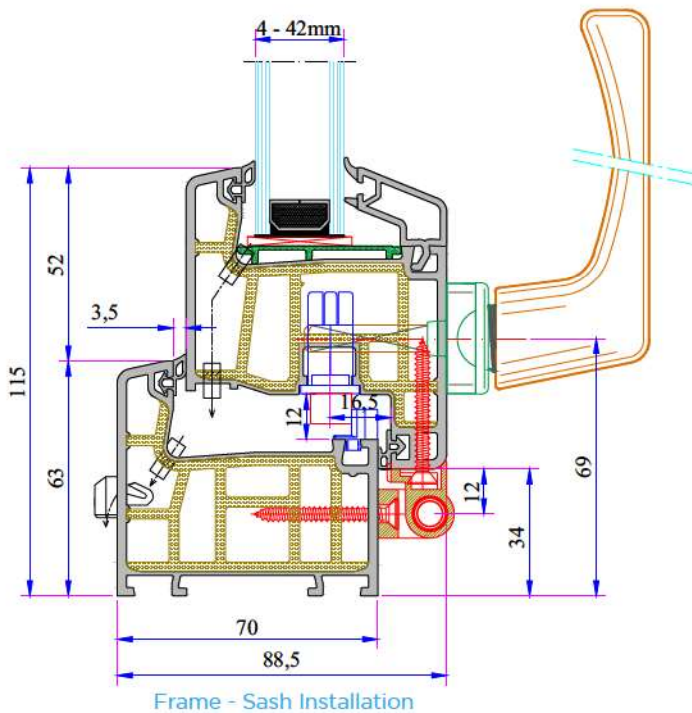


Pipe Profile Reinforcement
34022 - 12502

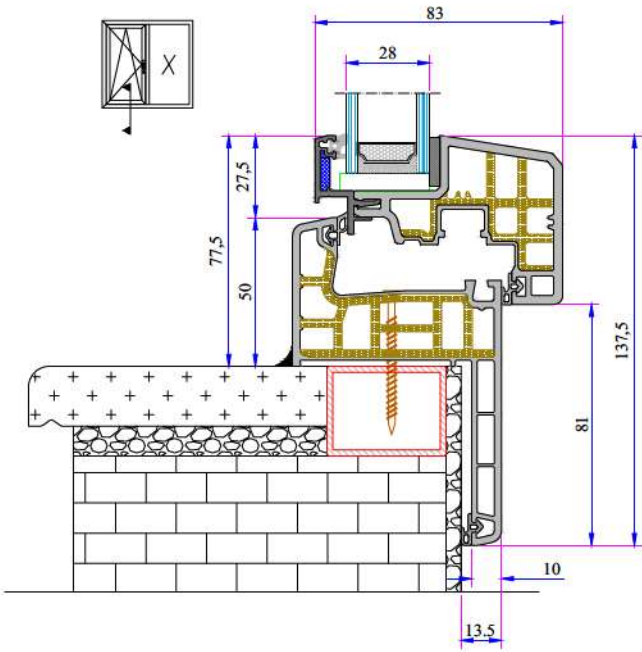


90° Corner Profile Reinforcement
34022 - 12305

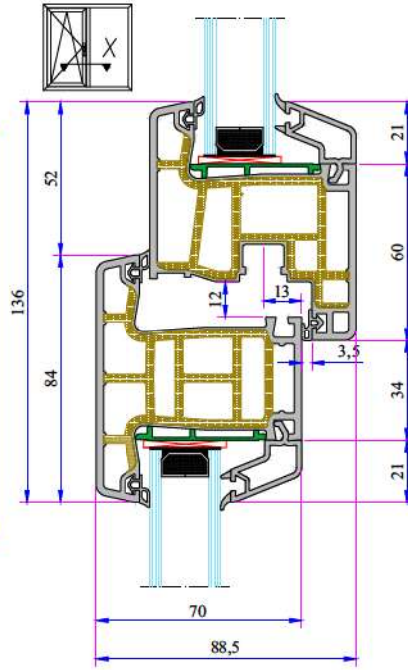
750 Penwood Installation



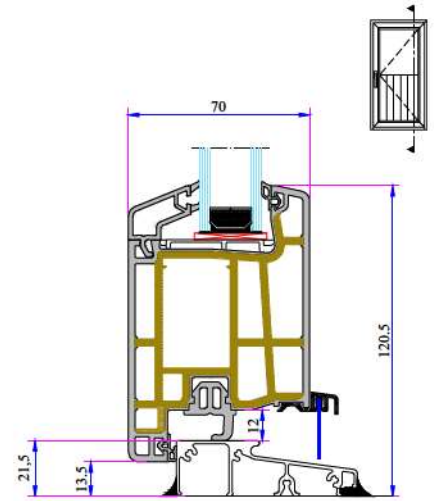
PENWOOD 750 SERIES PVC PROFILE SYSTEM



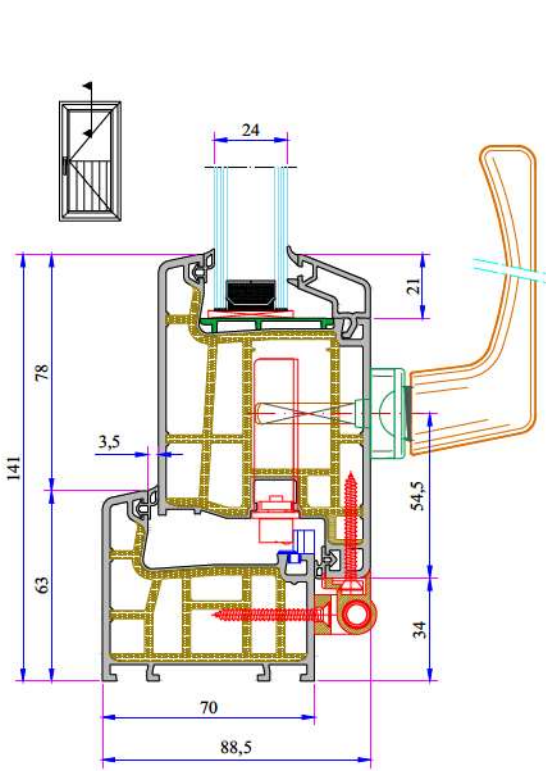
Frame With Sill - Glazing Sash Installation



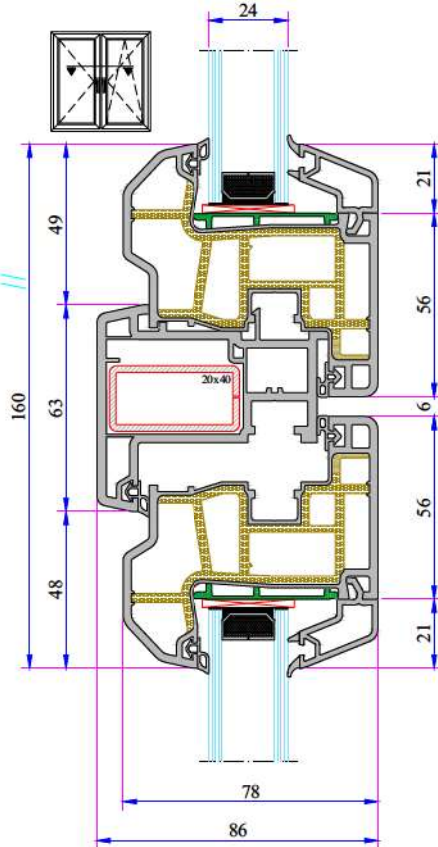
Mullion - Sash Installation



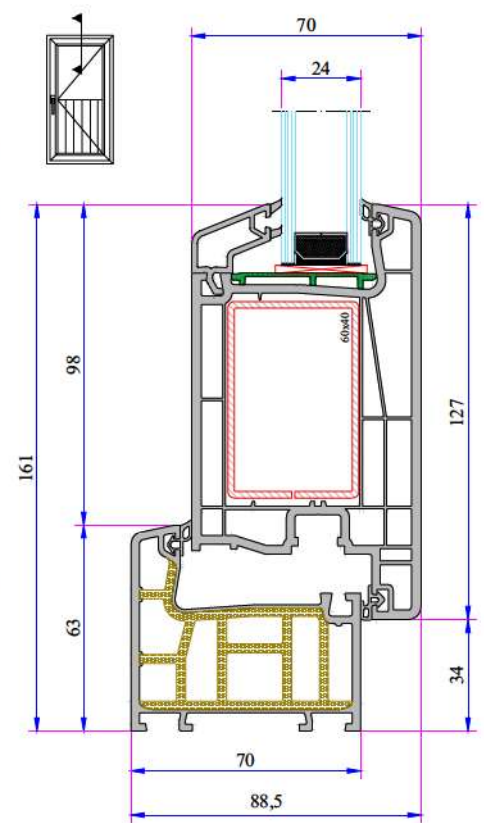
With Aluminium Threshold Frame Door Sash Installation



Frame - Door Sash Installation

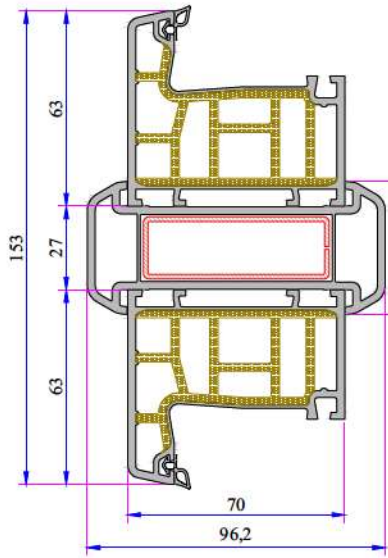


Offset Sash - Lap Joint Installation

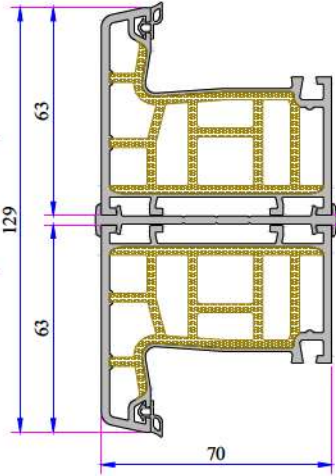


Outward Opening Super Door Sash - Frame Installation

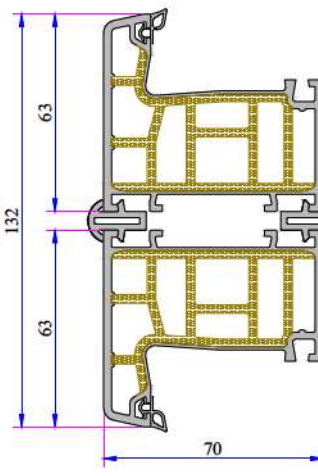
PENWOOD 750 SERIES PVC PROFILE SYSTEM



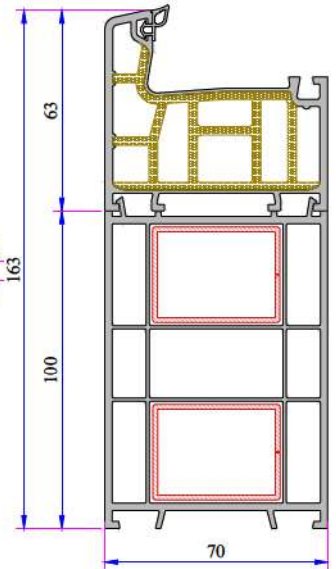
Large Coupling Profile Installation



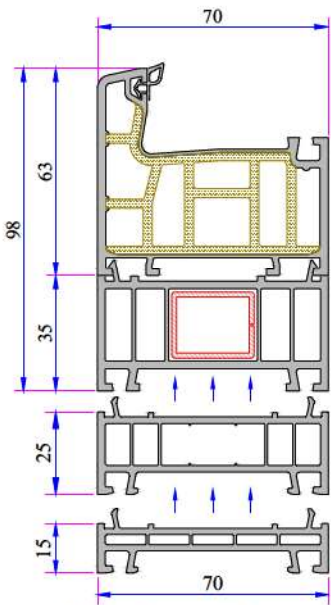
Narrow Coupling Profile Installation



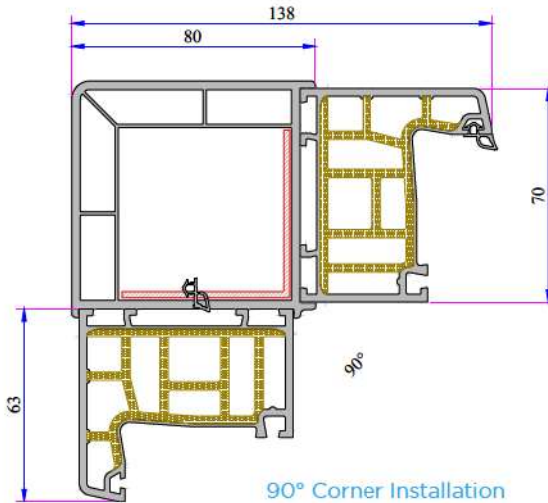
Short Coupling Installation



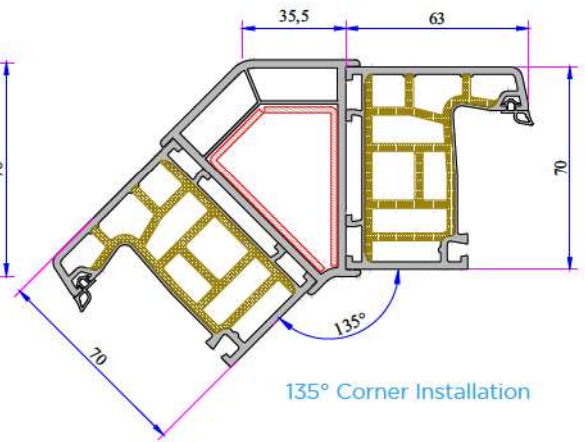
100 mm Frame Lifting Installation



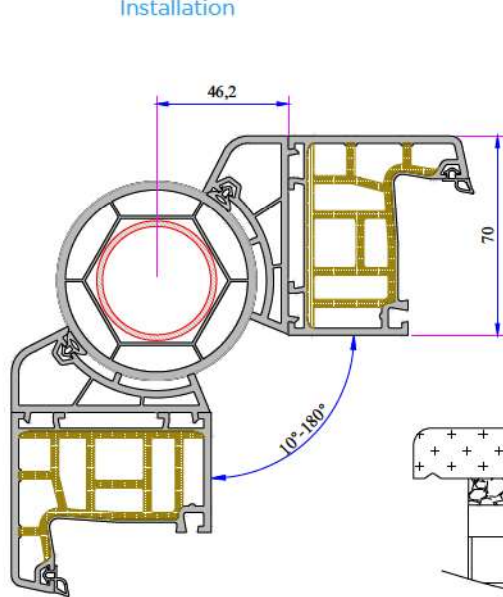
35 mm Frame Lifting Installation



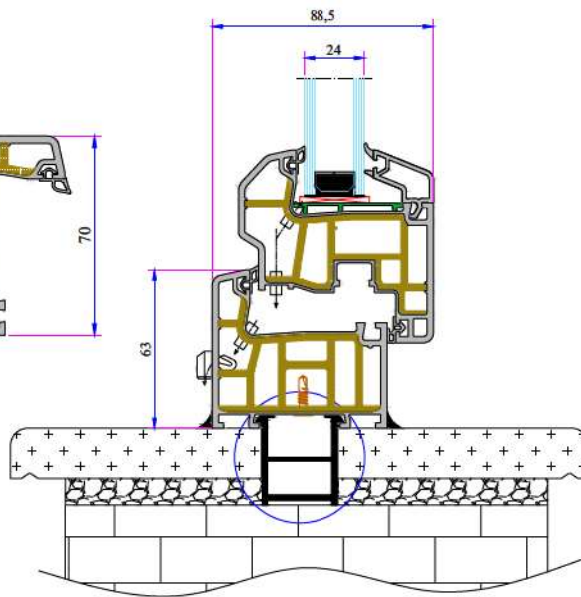
90° Corner Installation



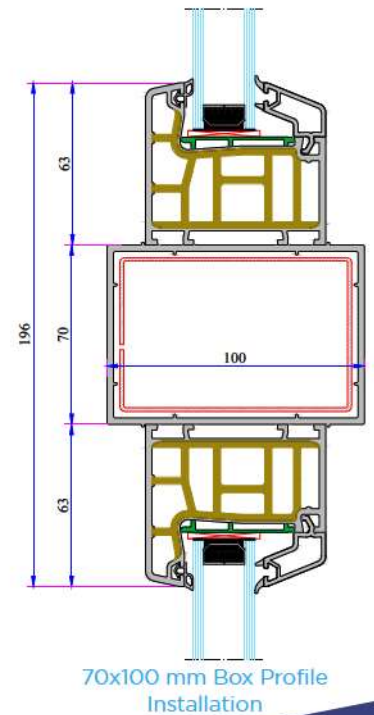
135° Corner Installation



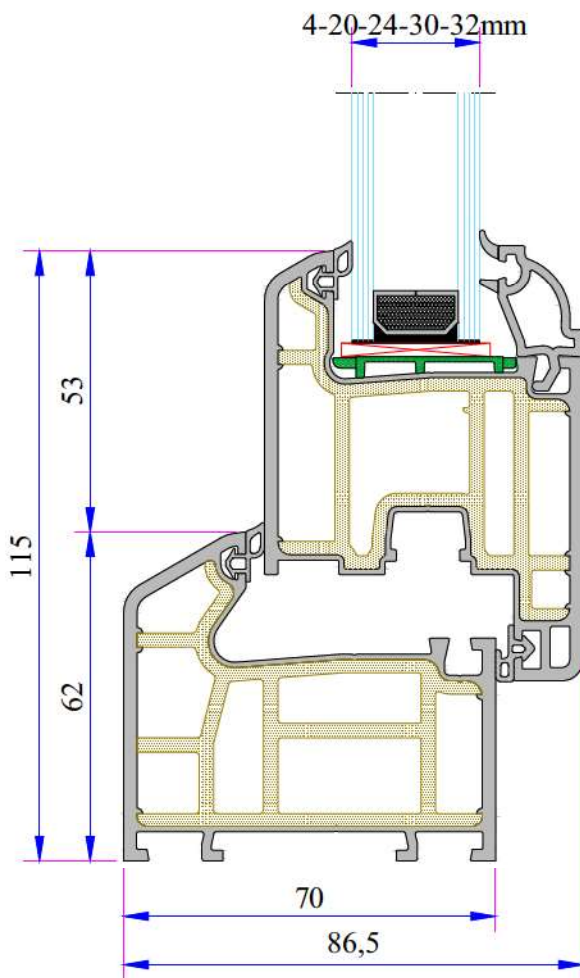
Corner Profile Installation



Frame Montage Profile Installation



70x100 mm Box Profile Installation



TECHNICAL

Penwood 760 SERIES

Profile Width: 70 mm

Number of chambers: 5 chambers system

Profile Class: B Class (TS EN 12608-1)

Seal Type: External / Internal double seal system

Seal Type and Color: TPE - Grey /Black

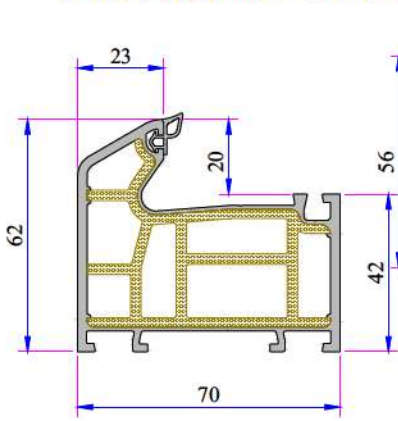
Glass Thickness (mm): 4, 20, 24, 30, 32 mm

The thermal insulation Uf: 1,26 W/m²K

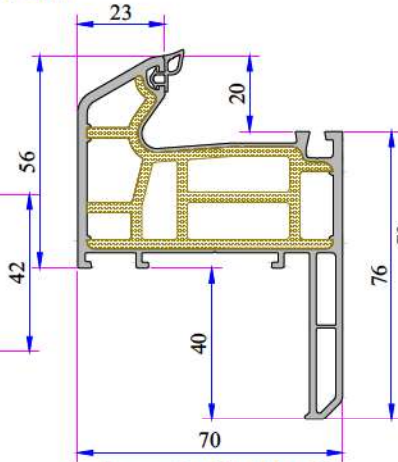
INSTRUCTION

- 70 mm frame and 60 mm sash profile system. Because of the composite profile extruded together, no need for extra metal reinforcement inside.
- No need for reinforcement cutting unit, screwing Unit and workman.
- Compared with metal reinforcement system profile Penwood systems have %30 more advantages with max heat-sound and water insulation.
- Just cut and weld. You do not need Metal Reinforcement and extra stock area for Metal Reinforcement.
- Possibility to install single 4-6 mm or double glazing 20, 24, 28, 32 mm with different thickness of glazing bead.
- It has water drainage channel, it can be directly drilled after cutting.
- Color range for laminated products.
- It's quality is accredited by national and international certificates.

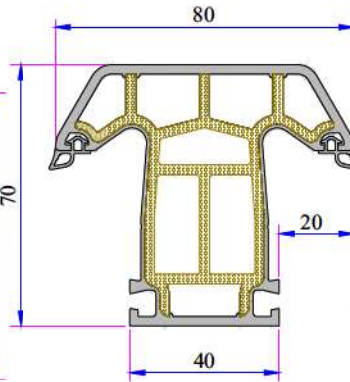
PENWOOD 760 SERIES PVC PROFILE SYSTEM



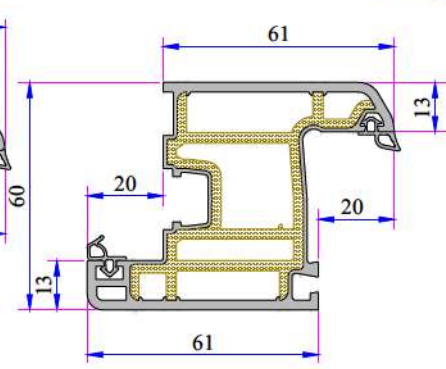
Frame Profile
706.1000.2



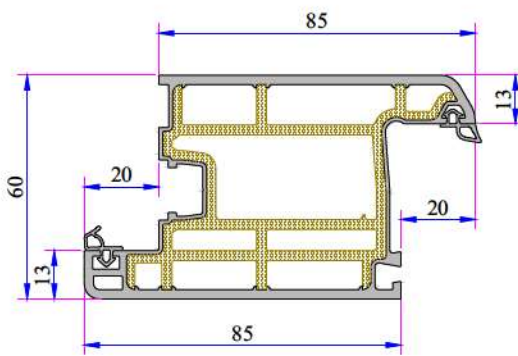
Frame Profile With Sill
706.1200.2



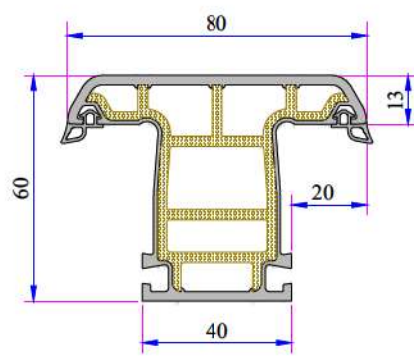
Mullion Profile
706.3000.2



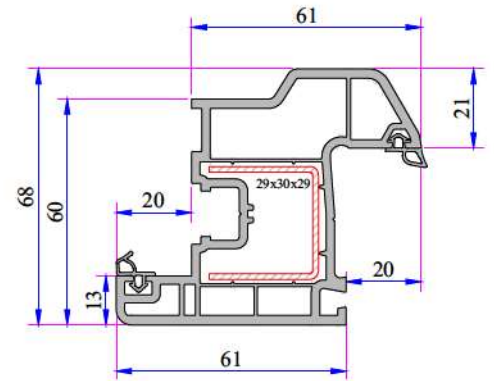
Sash Profile
632.2000.2



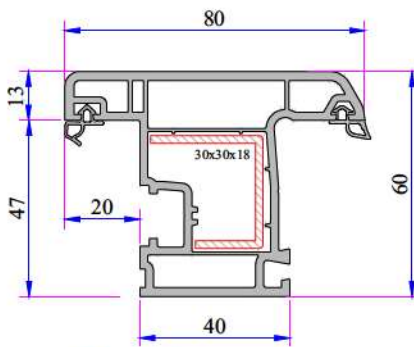
Door Sash Profile
632.2100.2



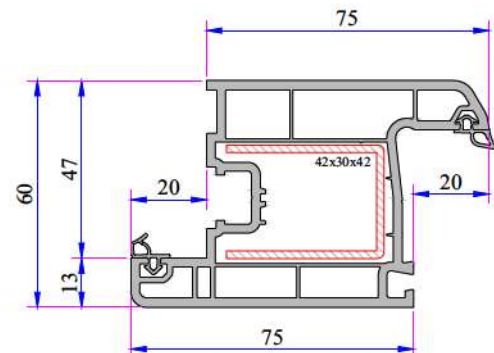
Mullion For Door Profile
632.3000.2



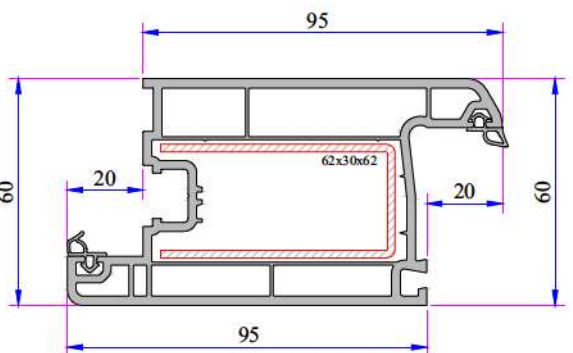
Offset Type Sash Profile
632.2200



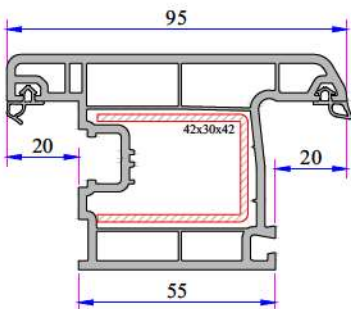
22 Axis. Outward Opening
Sash Profile
632.2014



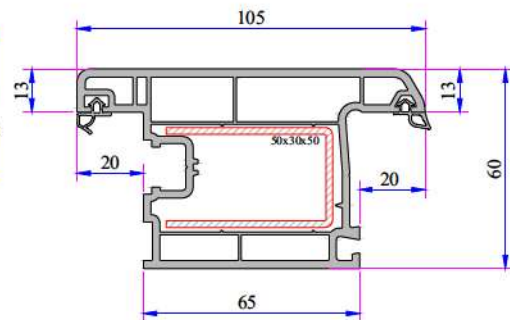
Eco Door Sash Profile
900.2107



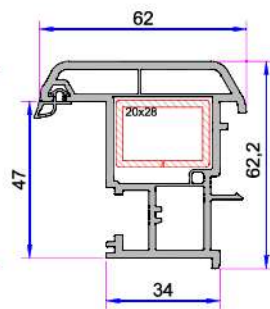
Super Door Sash Profile
900.2100



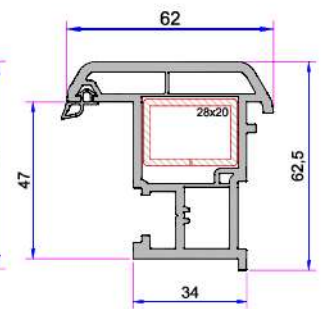
Eco Outward Opening Door
Sash Profile
632.2108



Outward Opening Door
Sash Profile
632.2101

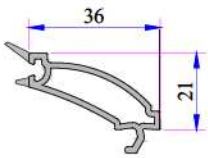


Lap Joint Profile
632.3104

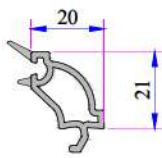


Lap Joint Profile
632.3100

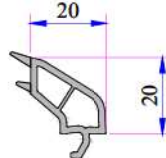
PENWOOD 760 SERIES PVC PROFILE SYSTEM



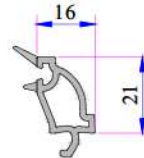
Single Glazing Bead 4-6 mm
101.4002



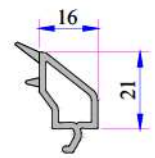
Dec. Double Glazing Bead 20 mm
101.4102



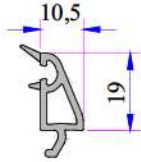
Double Glazing Bead 20 mm
101.4100



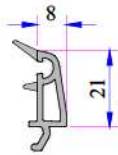
Dec. Double Glazing Bead 24 mm
101.4202



Double Glazing Bead 24 mm
750.4500

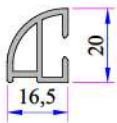


Triple Glazing Bead 30 mm
332.4100

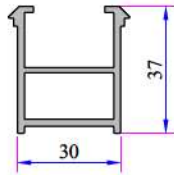


Triple Glazing Bead 32 mm
101.4500

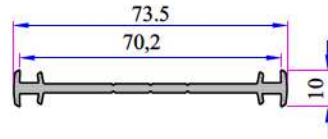
** 760 series Frame and Mullion Profile Glazing Bead dimensions is different. For frame and Mullion Profile Glass size check page 170.



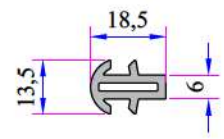
Offset Profile
900.6307.HC



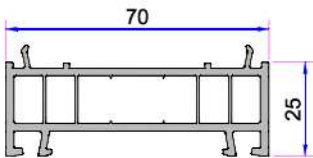
Frame Montage Profile
060.5301



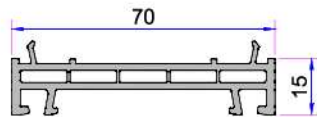
Narrow Coupling Profile
070.5001



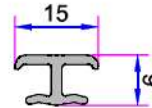
Coupling Profile
099.5003



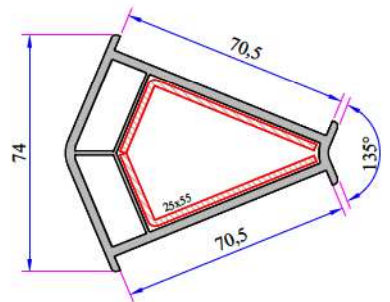
25mm Frame Lifting Profile
070.5306



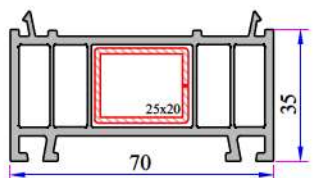
15mm Frame Lifting Profile
070.5304



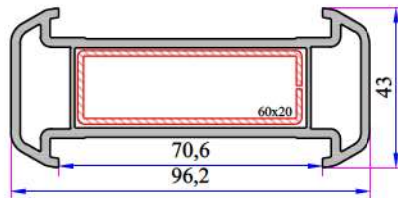
Universal Short Coupling Profile
099.5004



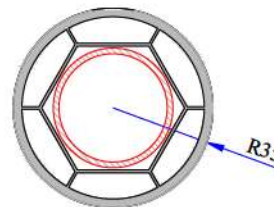
135° Corner Profile
070.5102



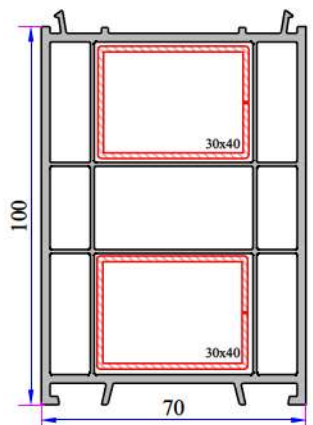
Frame Lifting Profile
070.5300



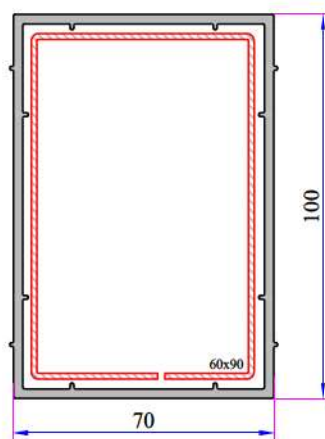
Large Coupling Profile
070.5000



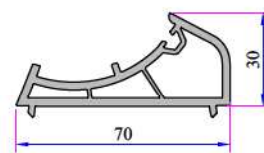
Pipe Profile
070.5106



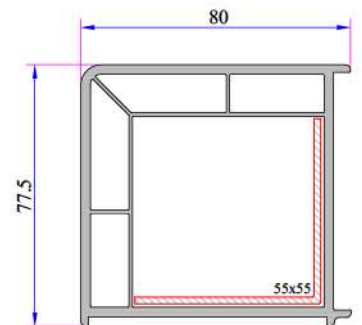
Frame Lifting Profile
070.5302.19



70x100 Box Profile
070.5202



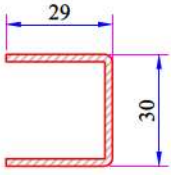
Angle Pipe Adaptor Profile
070.5104



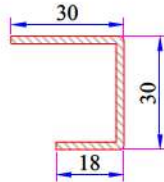
90° Corner Profile
070.5100

PENWOOD 760 SERIES PVC PROFILE SYSTEM

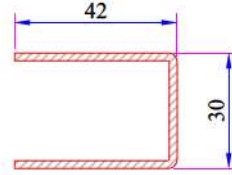
760 Penwood Re-Inforcement Profiles



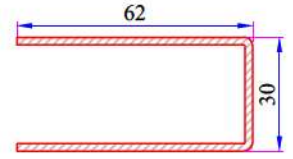
Offset Type Sash Profile Reinforcement
34022 - 12002



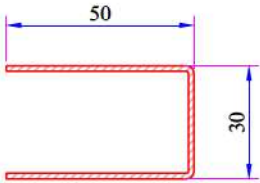
Outward Opening Sash Profile Reinforcement
34022 - 12022



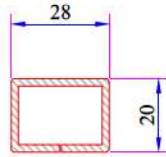
Eco Door Sash Outward Opening Profile Reinforcement
34022 - 12023



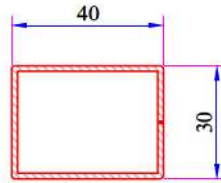
Super Door Sash Profile Reinforcement
34022 - 12029



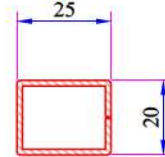
Outward Opening Door Sash Profile Reinforcement
34022 - 12013



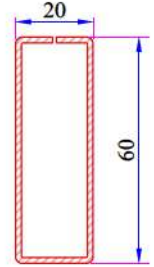
Lap Joint Profile Reinforcement
34022 - 12118



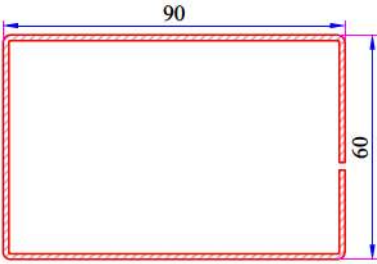
100 mm Frame Lifting Profile Reinforcement
34022-12120



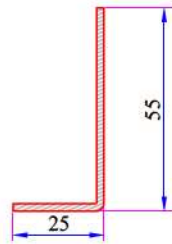
35 mm Frame Lifting Profile Reinforcement
34022 - 12104



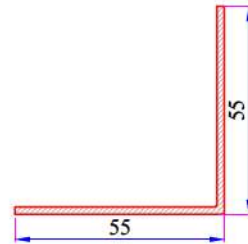
Large Coupling Profile Reinforcement
34022 - 12106



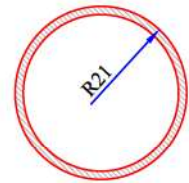
70x100 mm Box Profile Reinforcement
34022-12121



135° Corner Profile
34022 - 12303

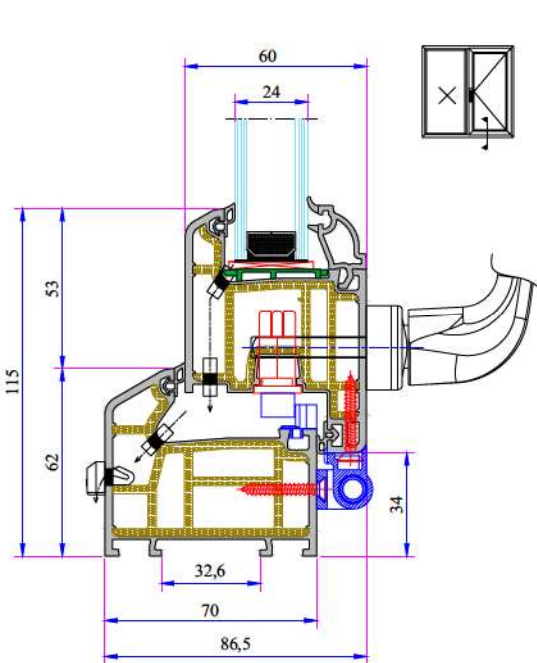


90° Corner Profile Reinforcement
34022 - 12305

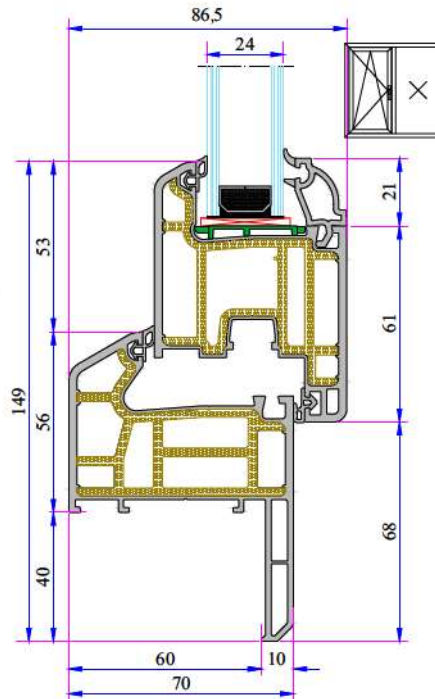


Pipe Profile Reinforcement
34022 - 12502

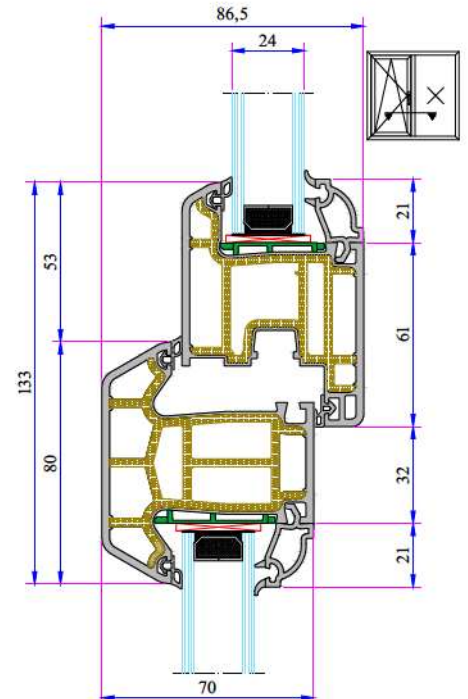
760 Penwood Installation



Frame - Sash Installation

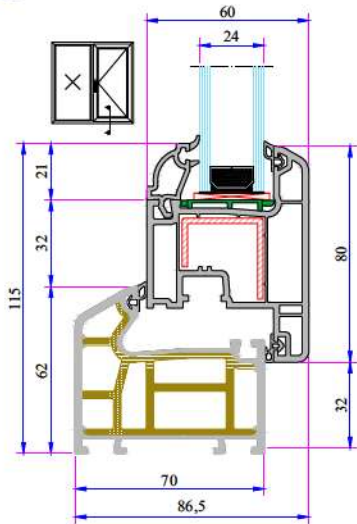


Frame With Sill and Sash

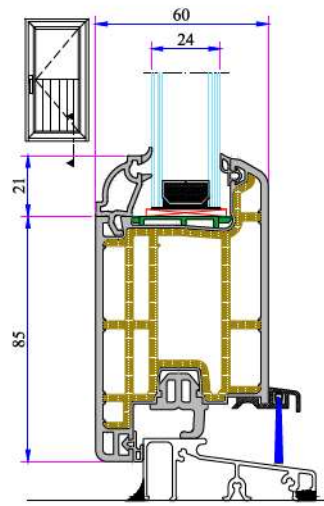


Mullion - Sash Installation

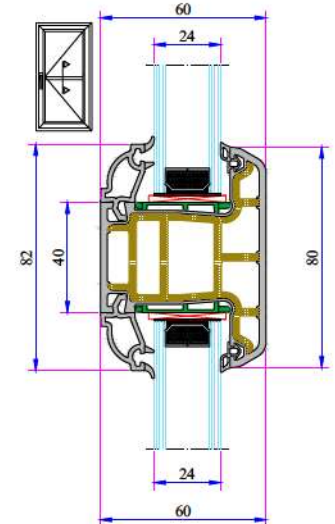
PENWOOD 760 SERIES PVC PROFILE SYSTEM



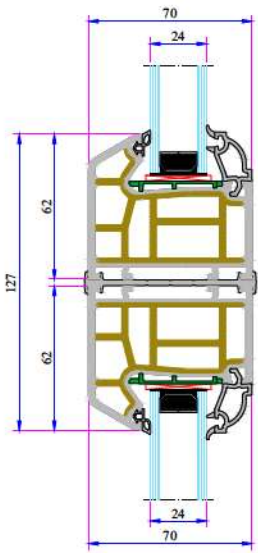
Frame - Outward Opening Sash Installation



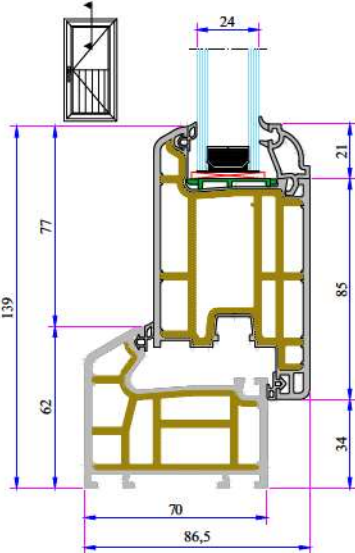
With Aluminium Threshold Frame - Door Sash Installation



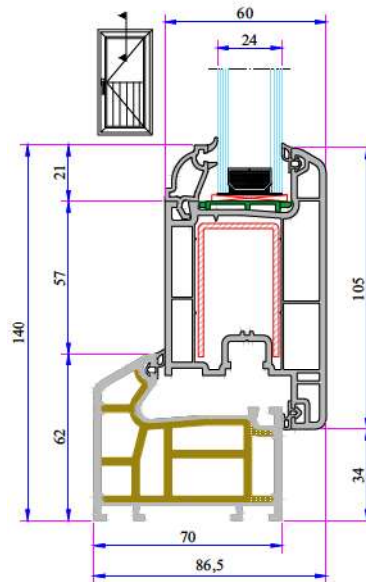
Door Sash - Mullion Installation



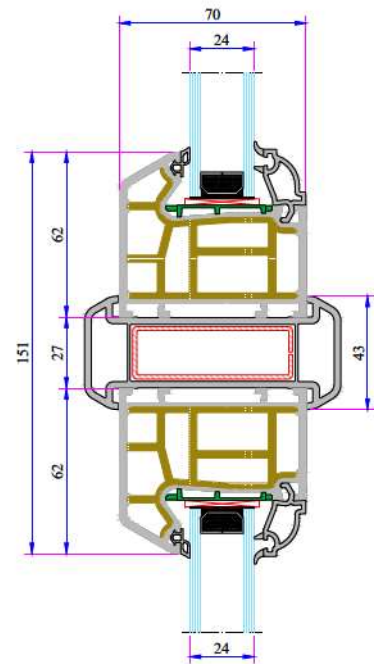
Narrow Coupling Profile Installation



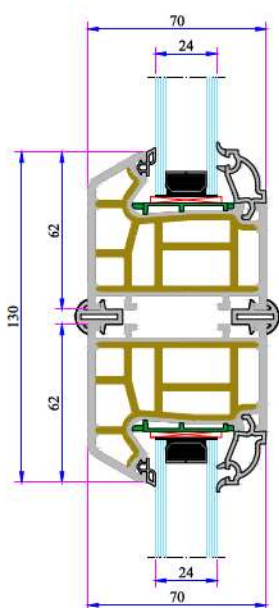
Frame - Door Sash Installation



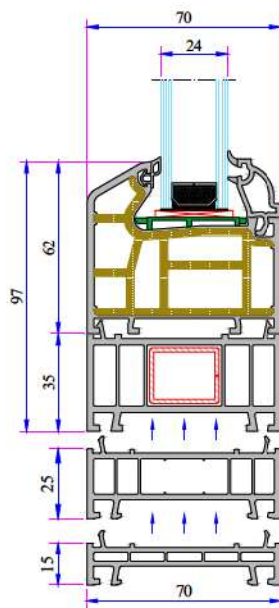
Frame - Outward Opening Door Sash Installation



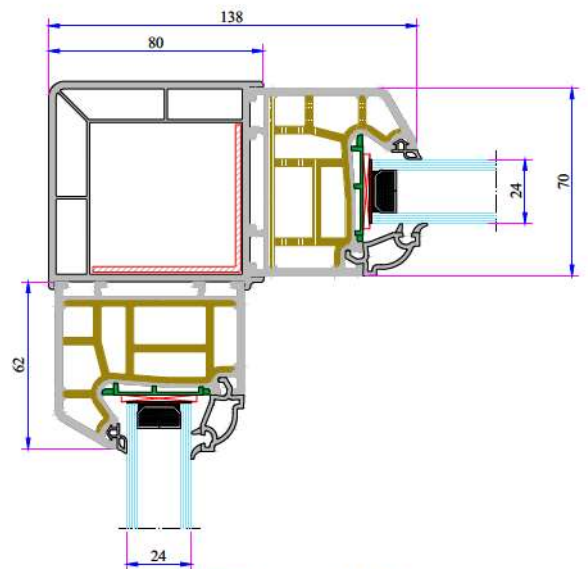
Large Coupling Profile Installation



Short Coupling Profile Installation

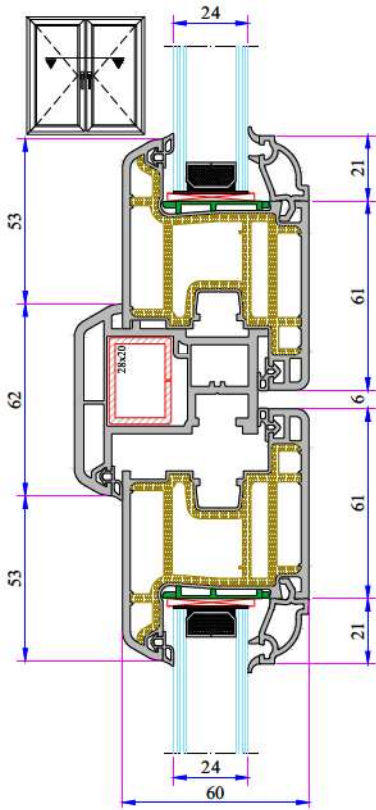


35 mm Frame Lifting Profile

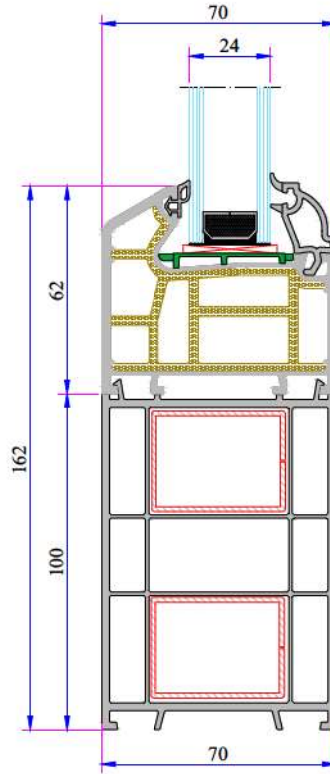


90° Corner Installation

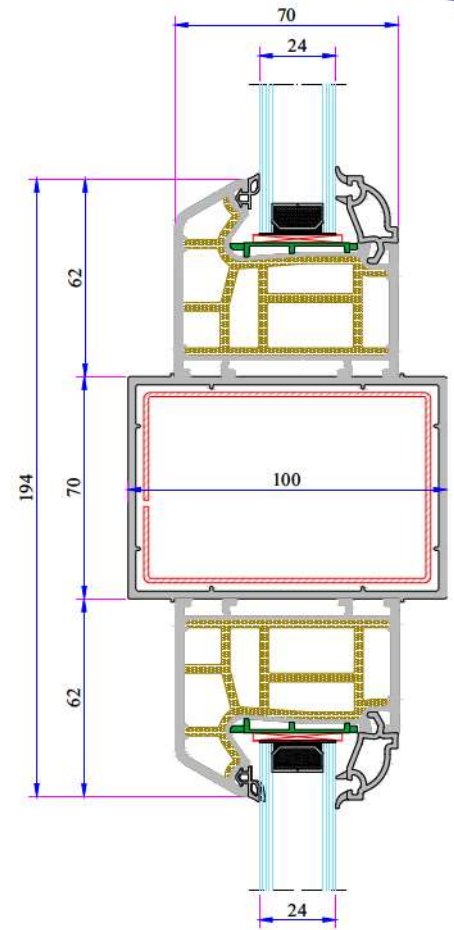
**PENWOOD 760 SERIES
PVC PROFILE SYSTEM**



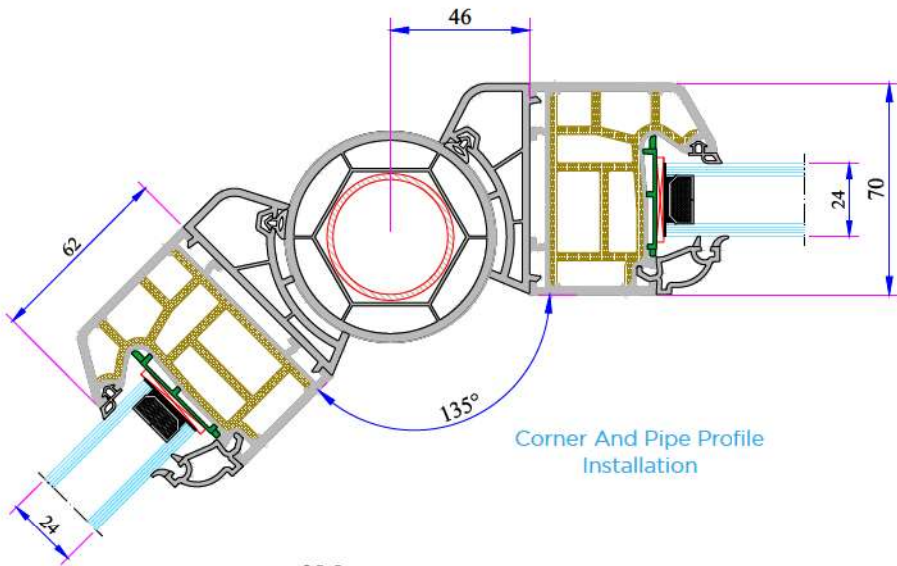
Sash - Lap Joint And Sash Installation



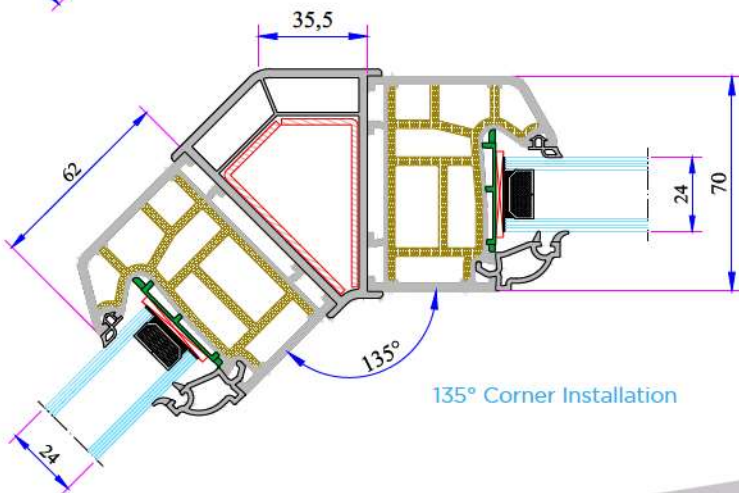
100 mm Frame Lifting Profile Installation



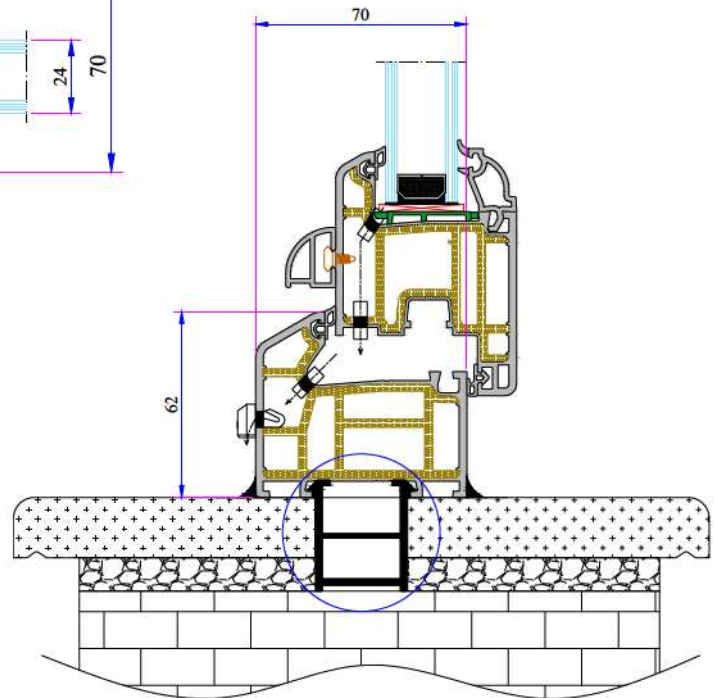
Box Profile Installation



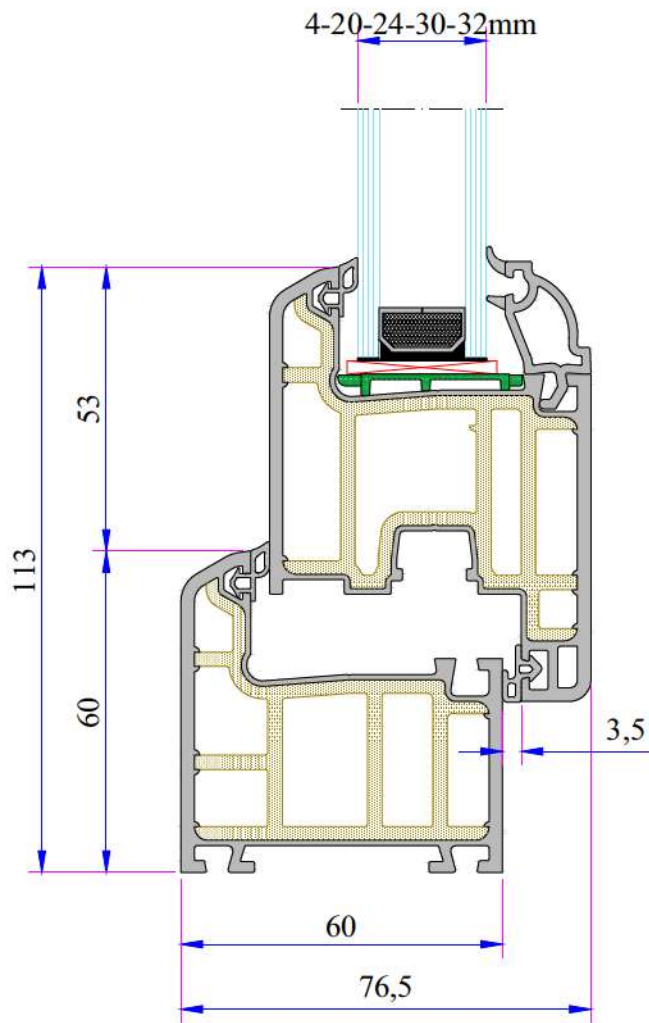
Corner And Pipe Profile Installation



135° Corner Installation



Offset Profile and Frame Montage Profile Installation



TECHNICAL

Penwood 632 SERIES

Profile Width: 60 mm

Number of chambers: 4 chambers system

Profile Class: B Class (TS EN 12608-1)

Seal Type: External / Internal double seal system

Seal Type and Color: TPE - Grey /Black

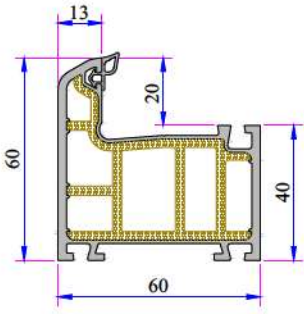
Glass Thickness (mm): 4, 20, 24, 30, 32 mm

The thermal insulation Uf: 1,30 W/m²K

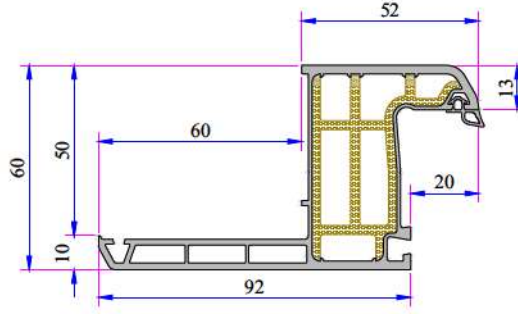
INSTRUCTION

- 60 mm profile system. Because of the composite profile extruded together, no need for extra metal reinforcement inside.
- No need for reinforcement cutting units screwing unit and workman.
- Compared with metal reinforcement system profile Penwood systems have %30 more advantage with max heat - sound and water insulation.
- Just cut and weld. You do not need Metal Reinforcement and extra stock area for Metal Reinforcement.
- Possibility to install single 4-6 mm or double glazing 20, 24, 32 mm with different thickness of grey glazing bead.
- It has water drainage channel, it can be directly drilled after cutting.
- Color range for laminated products.
- It's quality is accredited by international certificate.

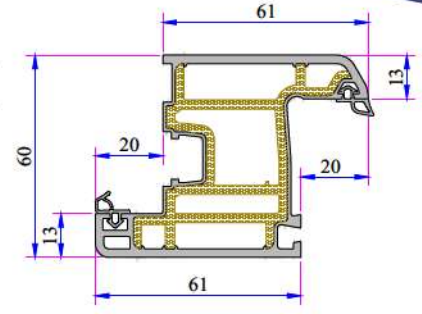
PENWOOD 632 SERISI PVC PROFIL SİSTEMİ



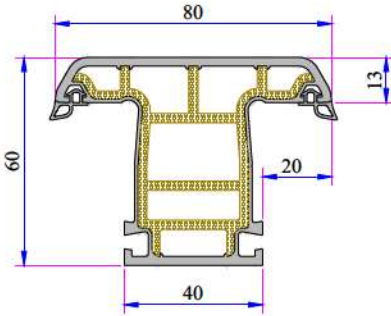
Frame Profile
632.1000.2



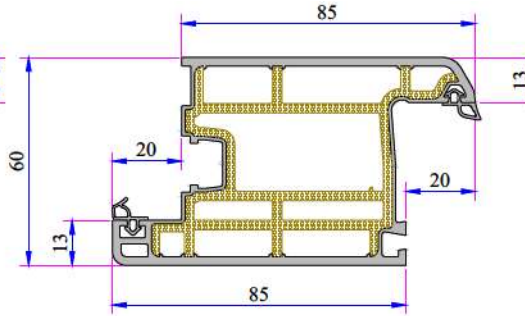
Frame Profile With Sill
632.1200.2
632.1200.2.PC (with Double Seal)



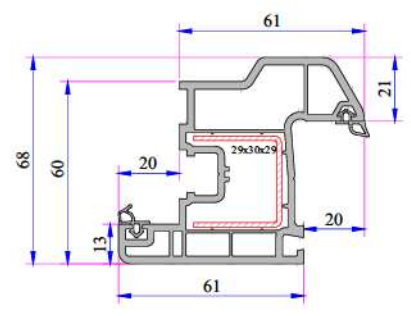
Sash Profile
632.2000.2



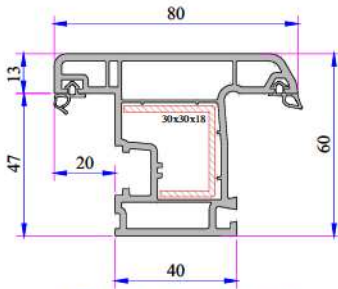
Mullion Profile
632.3000.2



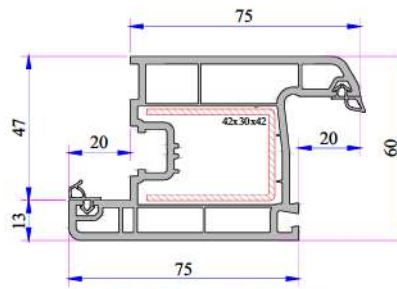
Door Sash Profile
632.2100.2



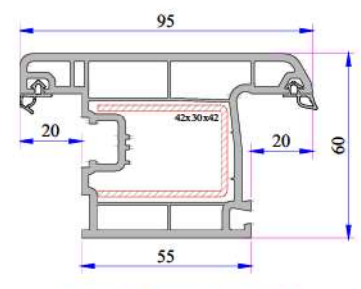
Offset Type Sash Profile
Installation
632.2200



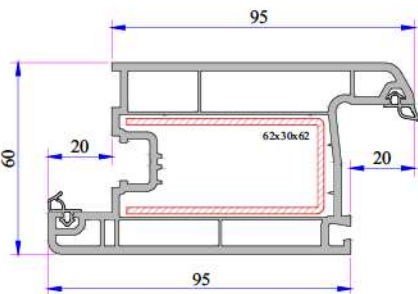
Outward Opening Sash
Profile
632.2014



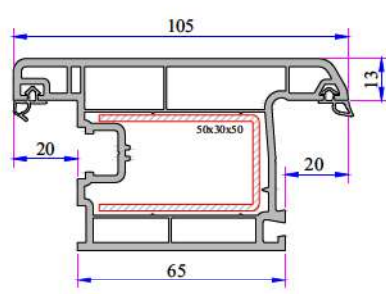
Eco Door Sash Profile
900.2107



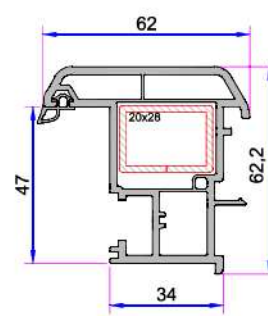
Eco Outward Opening
Door Sash Profile
632.2108



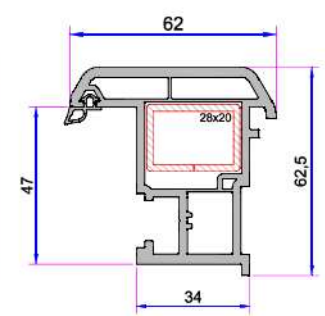
Super Door Sash Profile
900.2100



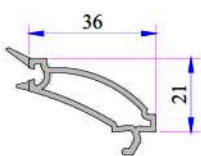
Outward Opening Door
Sash Profile
632.2101



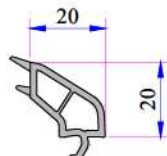
Lap Joint Profile
632.3104



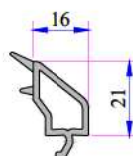
Lap Joint Profile
632.3100



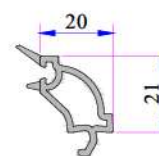
Single Glazing
Bead 4-6 mm
101.4002



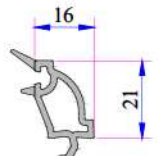
Double Glazing
Bead 20 mm
101.4100



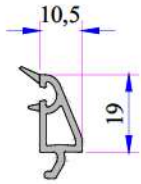
Double Glazing
Bead 24 mm
750.4500



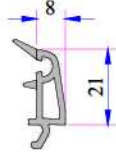
DEC. Double Glazing
Bead 20 mm
101.4102



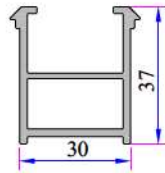
DEC. Double Glazing
Bead 24 mm
101.4202



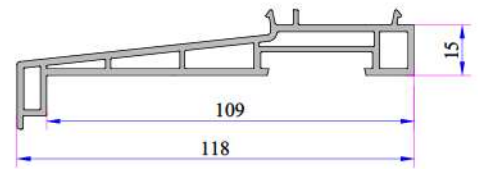
Triple Glazing Bead 30 mm
332.4100



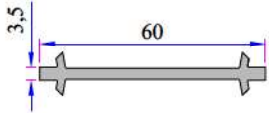
Triple Glazing Bead 32 mm
101.4500



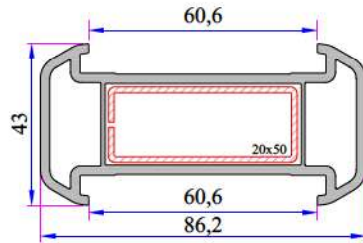
Frame Montage Profile
060.5301



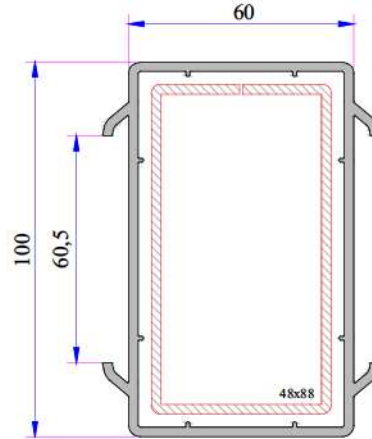
Sill Profile
058.5504



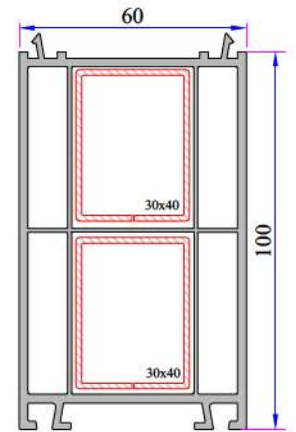
Narrow Coupling Profile
060.5001



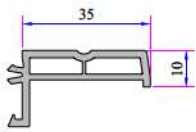
Large Coupling Profile
060.5000



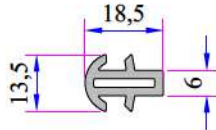
60x100 Spiked Box Profile
060.5203



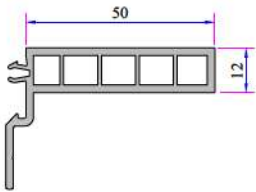
60x100 Frame Lifting Profile
900.5303



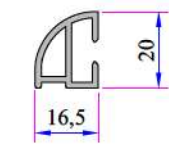
Frame Sill Profile (35mm)
099.5523



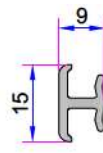
Coupling Profile
099.5003



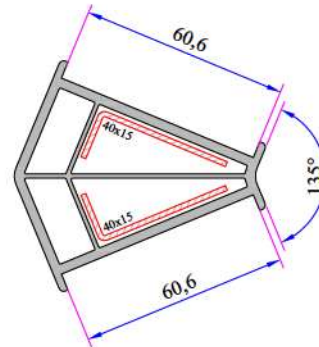
Frame Sill Profile (50mm)
099.5524



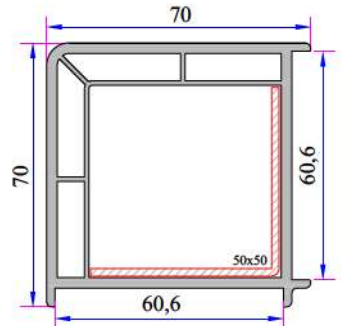
Offset Profile
900.6307



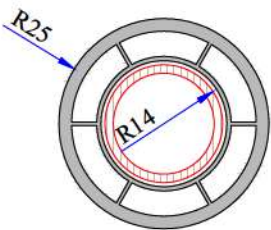
Universal Short Coupling Profile
099.5004



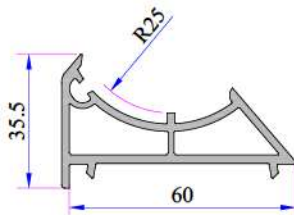
135° Corner Profile
060.5102



90° Corner Profile
060.5100



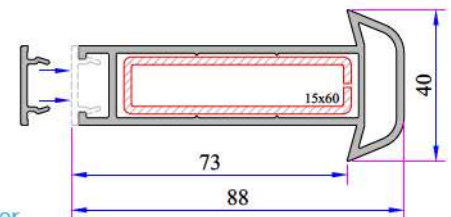
Angle Pipe Profile
050.5106



Angle Pipe Adaptor Profile
060.5104

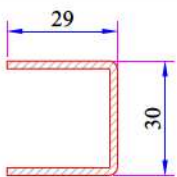


Universal Large Coupling Cover Profile
058.5707

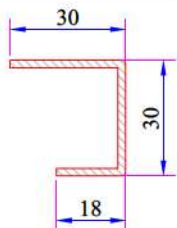


Universal Large Coupling Profile
058.5000

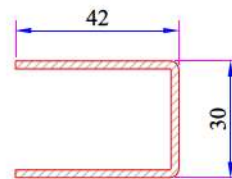
632 Penwood Re-Inforcement Profiles



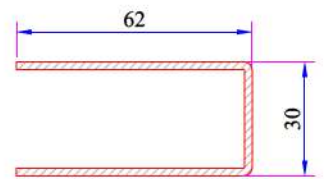
Offset Type Sash Profile Reinforcement
34022-12002



Outward Opening Sash Profile Reinforcement
34022 - 12022

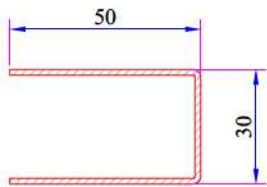


Eco Door Sash Outward Opening Profile Reinforcement
34022-12023

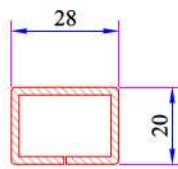


Super Door Sash Profile Reinforcement
34022 - 12029

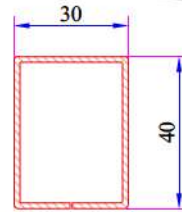
PENWOOD 632 SERISI PVC PROFIL SİSTEMİ



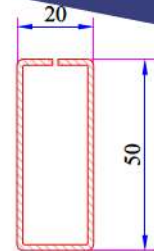
Outward Opening Door Sash Profile Reinforcement
34022-12013



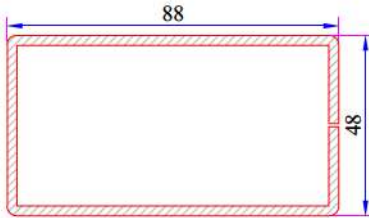
Lap Joint Profile Reinforcement
34022-12118



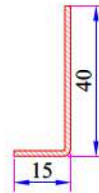
100 mm Frame Lifting Profile Reinforcement
34022-12120



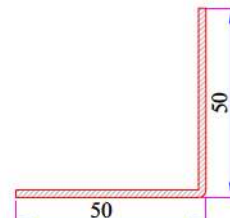
Large Coupling Profile Reinforcement
34022-12105



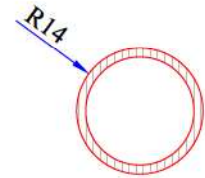
70x100 mm Box Profile Reinforcement
34022-12102



135° Corner Profile Reinforcement
34022-12301

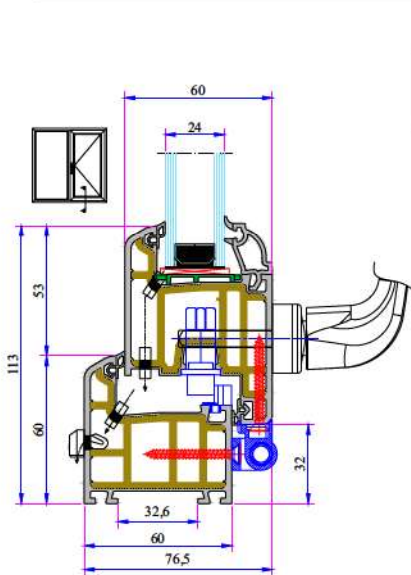


90° Corner Profile Reinforcement
34022-12302

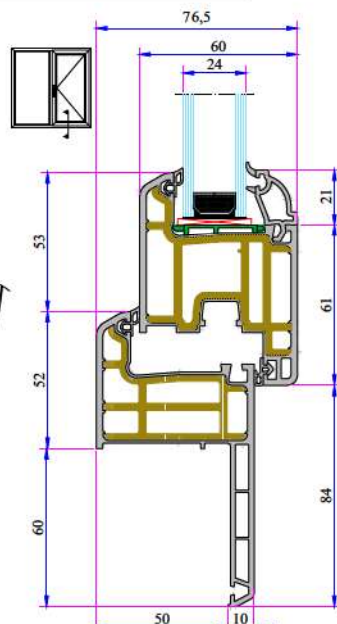


Pipe Profile Reinforcement
34022-12503

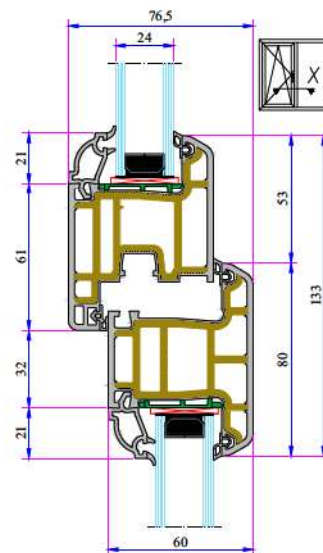
632 Penwood Installation



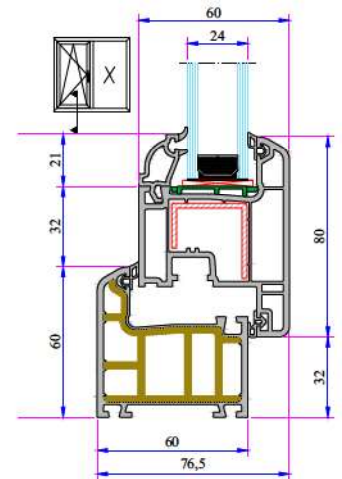
Frame-Sash Installation



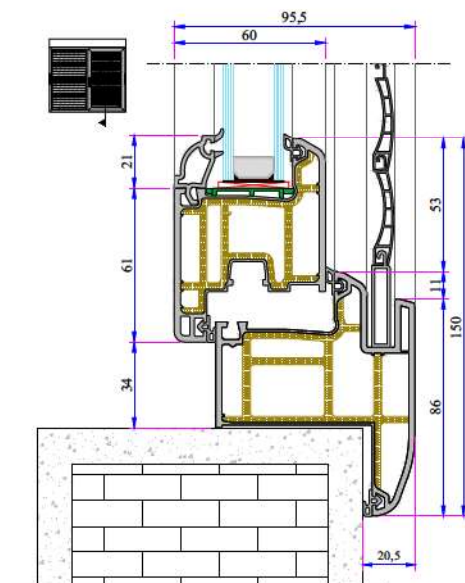
Frame profile with Sill- Sash Installation



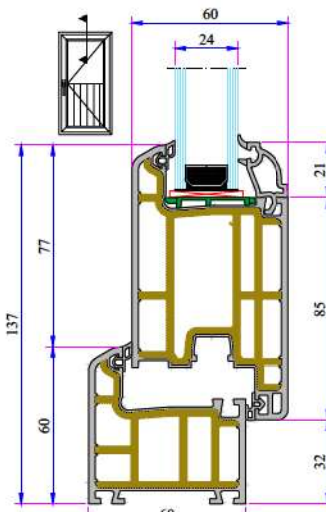
Mullion Sash Profile Installation



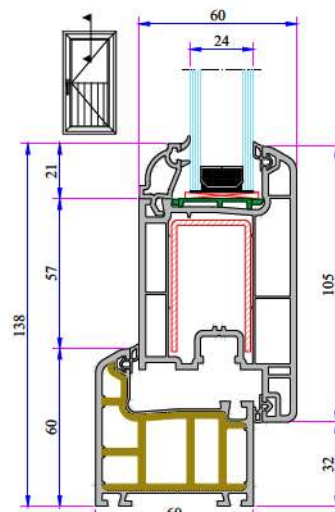
Frame - Outward Opening Sash Installation



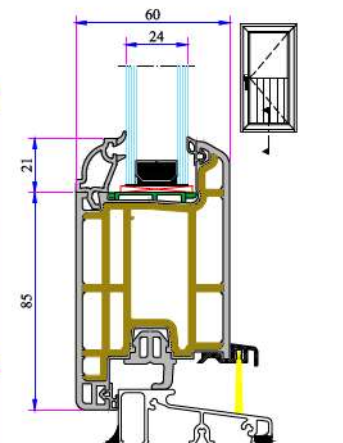
Shutter Rail Frame - Sash Installation



Frame Door Sash Installation

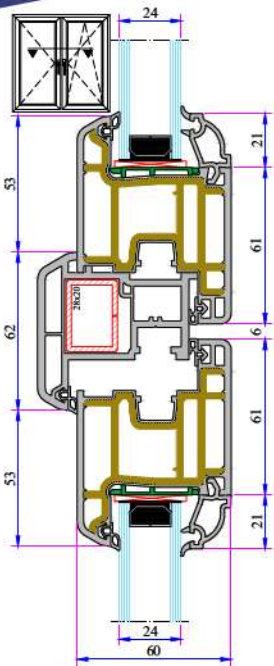


Frame -Outward Opening Door Sash Installation

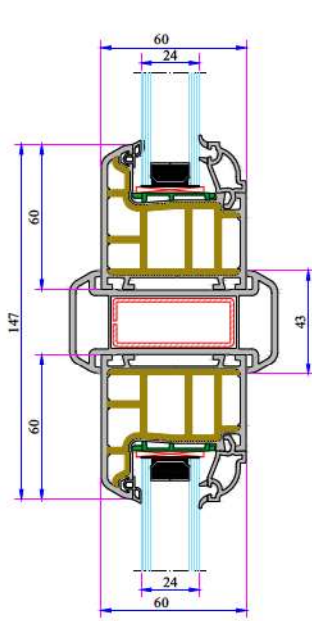


Frame with Aluminium Threshold - Door Sash Installation

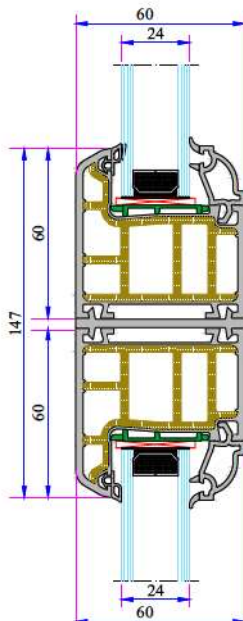
PENWOOD 632 SERISI PVC PROFIL SİSTEMİ



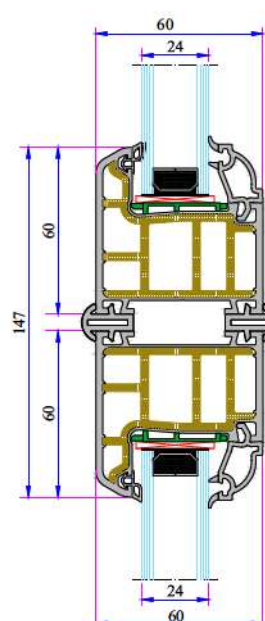
Sash - Lap Joint Installation



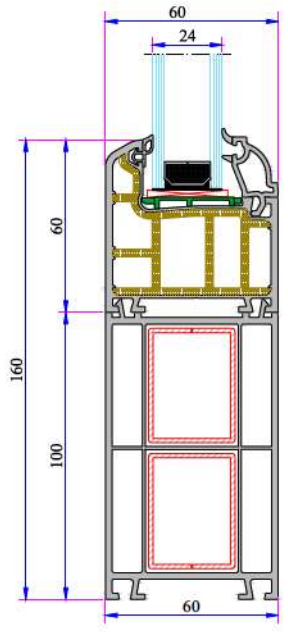
Large Coupling Installation



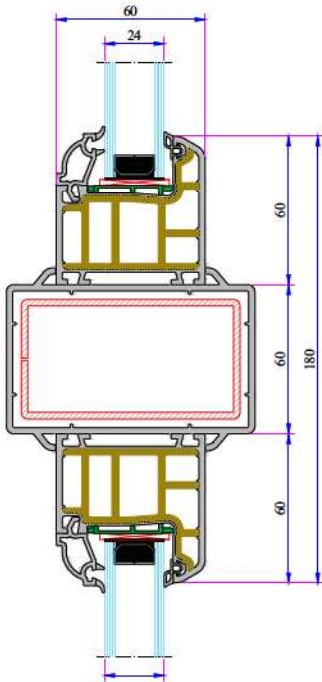
Coupling Installation



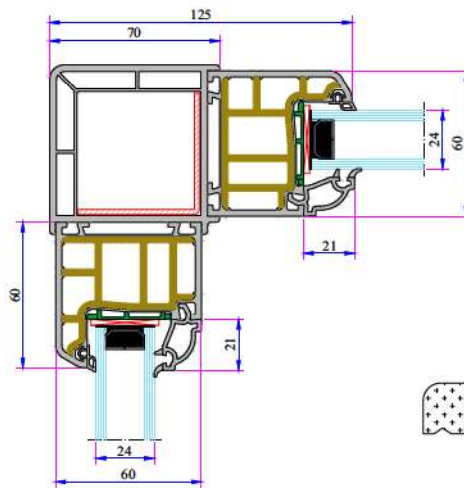
Short Coupling Installation



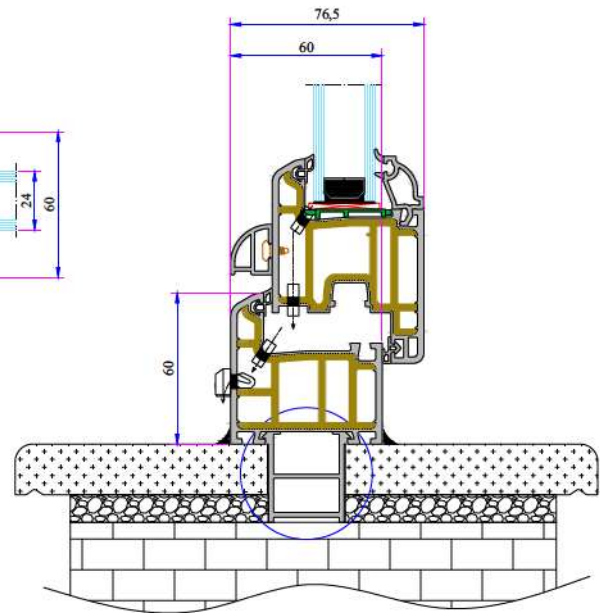
100 mm Frame Lifting Profile Installation



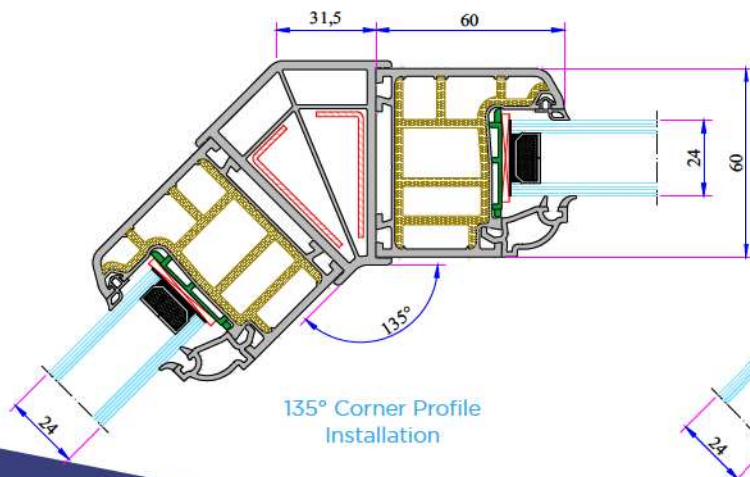
Spiked Box Profile Installation



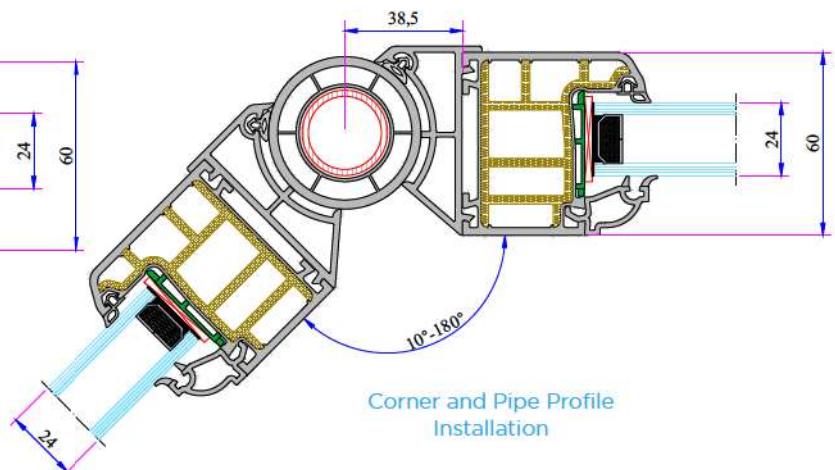
90° Corner Profile Installation



Offset Profile and Frame Montage Profile Installation

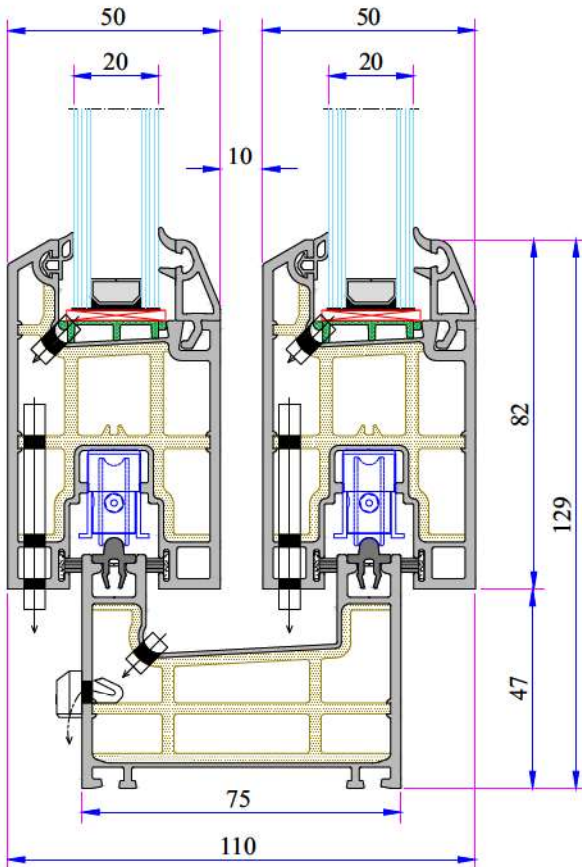


135° Corner Profile Installation



Corner and Pipe Profile Installation





TECHNICAL

PENWOOD 232 SLIDING SERIES

Profile Width: 75 mm double rail frame
an 92,5mm single rail frame, 50mm
sliding system sash profile

Number of chambers: 3 chambers
system

Profile Class: B Class (TS EN 12608-1)

Seal Type: The insulated bristle wick
system

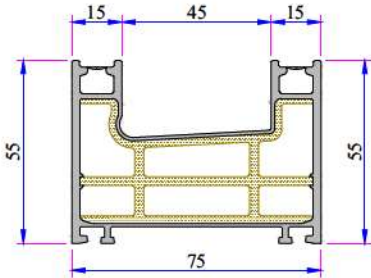
Glass Thickness (mm): 4-6, 20, 24 mm

The thermal insulation Uf: 1,43 W/m²K

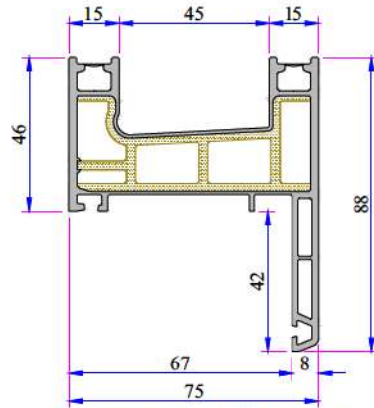
INSTRUCTION

- 75 mm double rail frame and 92,5 mm single rail frame, 50mm sliding system sash profile.
- No need for reinforcement cutting screwing unit and workman.
- Compared with metal reinforcement system profile Penwood systems have % 30 more advantage with max heat - sound and water insulation.
- Just cut and weld. You do not need Metal Reinforcement and extra stock area for Metal Reinforcement.
- It has water drainage channel, it can be directly drilled after cutting.
- The medium locked sash with a seal system.
- Application of single glaze (4-6 mm) and insulating glass 20-24 mm by grey sealed glazing beads in different tickness.
- In addition to main white profile, it has a different laminated color range.
- It's quality is accredited by national and international certificate.

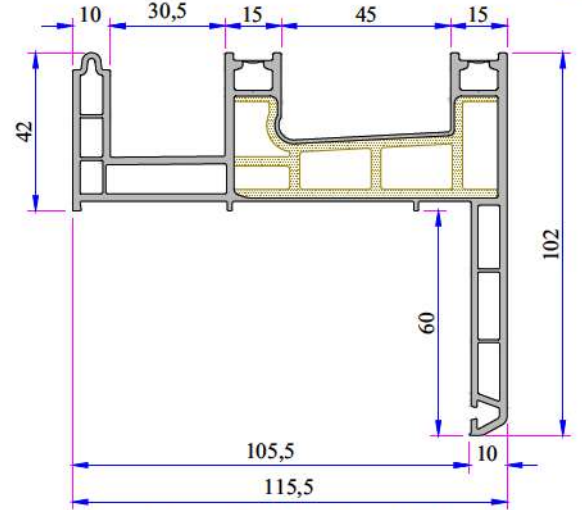
PENWOOD 232 SLIDING SERIES PVC PROFILE SYSTEM



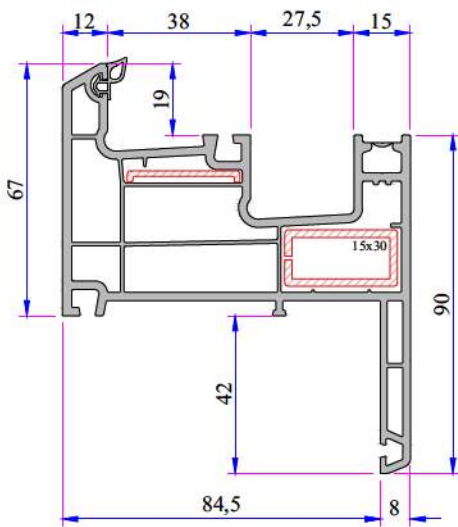
Frame Profile (Double Rail)
232.1106.2



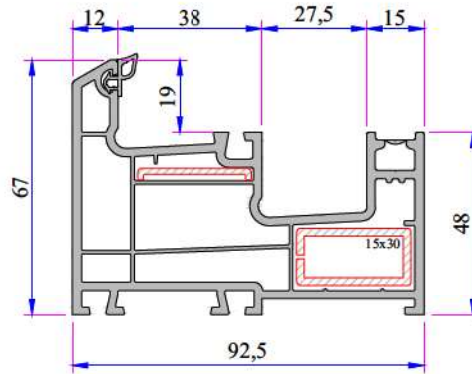
Frame Profile With Flat Sill
232.1110.2



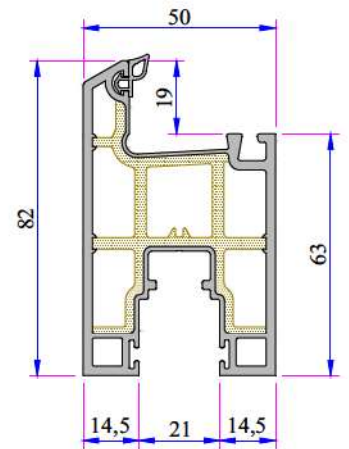
Frame With Fly-Screen&Sill
232.1109.2



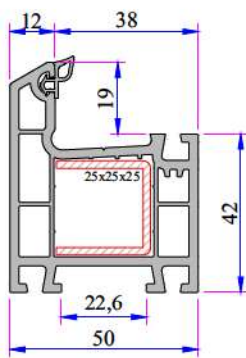
Frame Profile With Sill (Single Rail)
232.1114



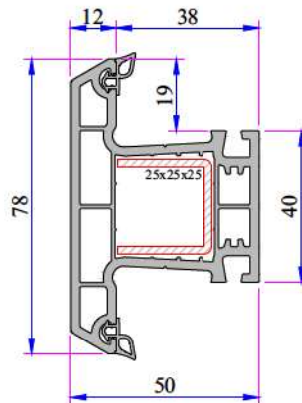
Frame Profile (Single Rail)
232.1105



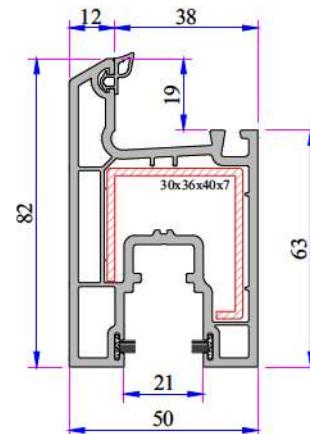
Penwood Sliding System Sash Profile
232.2300.2 (with Brush)
232.2301.2 (without Brush)



332 Frame Profile
332.1000

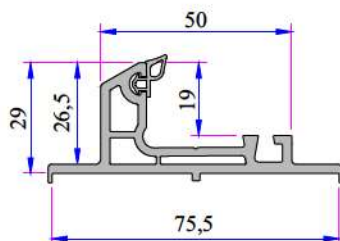


332 Mullion Profile
332.3000

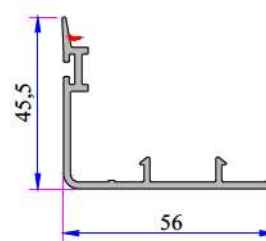


Sliding System Sash Profile (Static)
232.2308 (with Brush)
232.2309 (without Brush)

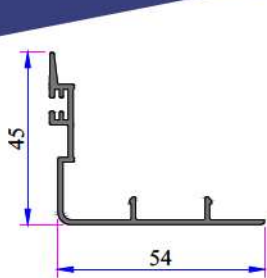
Double Rail Adaptör Profile
232.5800



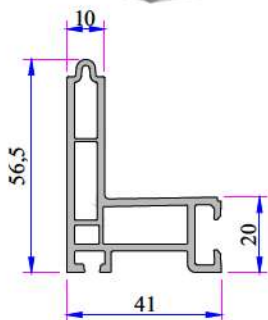
Sash Cover Profile
232.5709



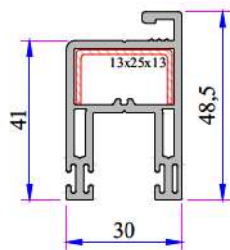
PENWOOD 232 SLIDING SERIES PVC PROFILE SYSTEM



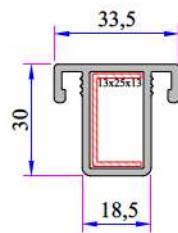
Alm. Sash Cover Profile
16051.601.5.11.9016



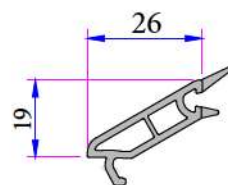
Screen Adaptör Profile
232.5802



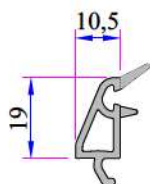
Sliding Screen Sash Profile
242.2305



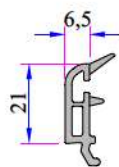
Sliding Screen Mullion Profile
242.3200



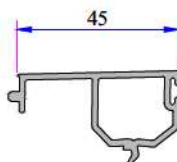
Single Glazing Bead (4mm)
332.4000



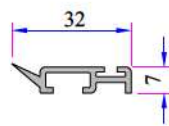
Double Glazing Bead (20mm)
332.4100



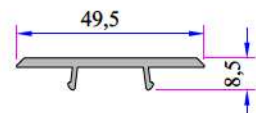
Double Glazing Bead (24mm)
532.4500



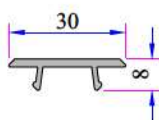
PVC Cover Profile
232.5710



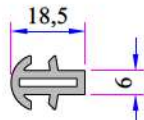
Lap Strip Profile
232.5801



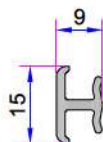
PVC Sash Cover Profile
232.5704



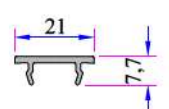
Screen Sash Cover Profile
242.5701



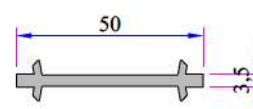
Short Coupling Profile
099.5003



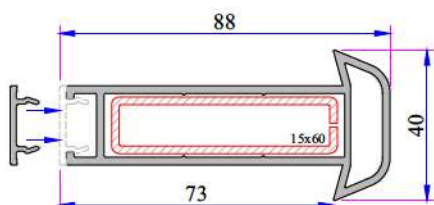
Universal Short Coupling Profile
099.5004



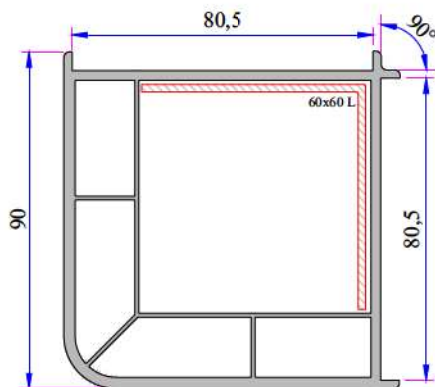
Universal Large Coupling Cover Profile
058.5707



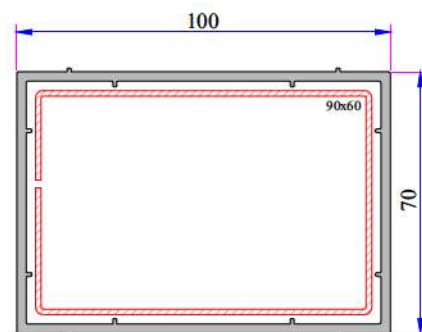
Narrow Coupling Profile
050.5001



Universal Large Coupling Profile
058.5000



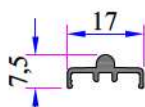
90° Corner Profile
080.5100



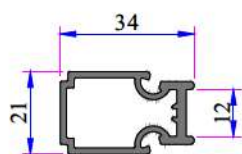
Box Profile (70*100)
070.5202



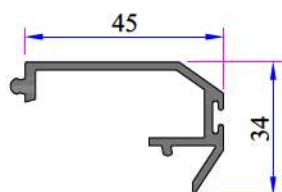
Alm. Sliding Rail Profile
16014.601.5 000



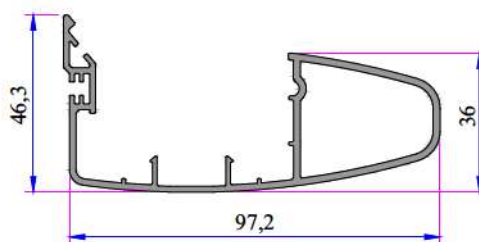
Alm. Sliding Rail Profile
11053.601.5.2 000



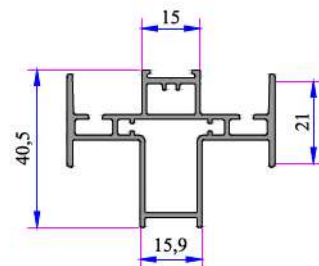
Alm. Double Rail Adaptor Profile
AD16-011



Alm. Cover Profile
16013.601.5.2 000

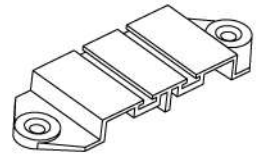
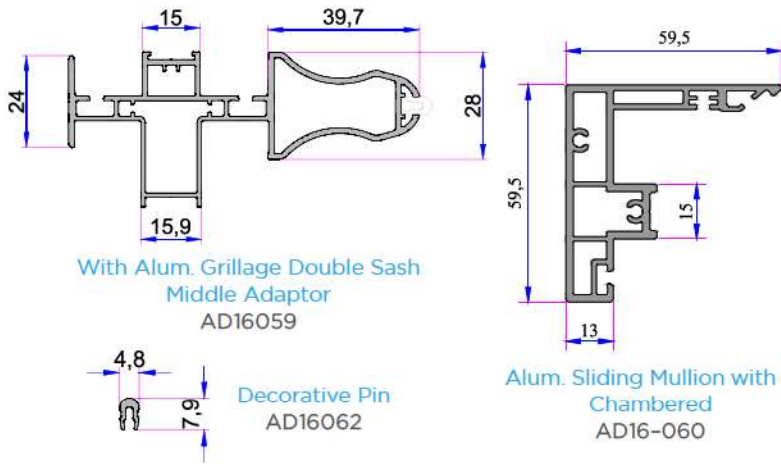


Sash Cover Grillage Profile
16028.601.5.2 000

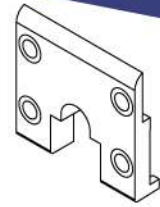


With Alum. Lug Double Sash Middle Adaptor
AD16-058

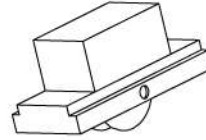
PENWOOD 232 SLIDING SERIES PVC PROFILE SYSTEM



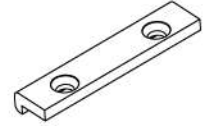
Sealing Bit Single Rail
34009-26020



Sliding Sash End Bit
34009-46010

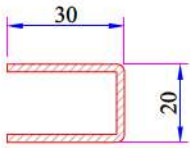


Sliding Roller Plastic
34009-17010

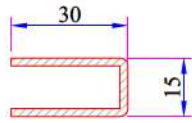


Upper bedding Piece for
Sliding Rail
34009-36010

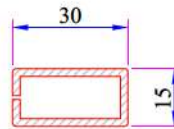
W 232 Sliding Re-Inforcement Profiles



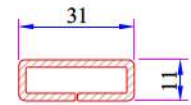
Double Rail Frame Profile
Reinforcement
34022-12006



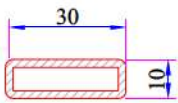
Frame Profile with Sill -
Frame Profile with Flat Sill
Reinforcement
34022-12034



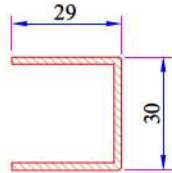
Frame Profile (Single Rail)-
Frame Profile With Sill (Single
Rail) Reinforcement
34022-12125



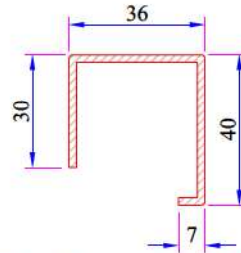
Frame With Fly-Screen&Sill
Reinforcement
34022-12107



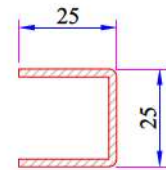
Frame With Internal Fly-
Screen Reinforcement
34022-12107



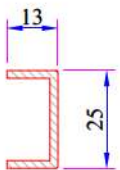
Sliding System Sash
Profile Reinforcement
34022-12002



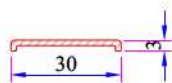
Sliding System Sash Profile
(Static) Reinforcement
34022-12107



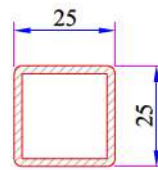
332 Frame- Mullion Profile
Reinforcement
34022-12003



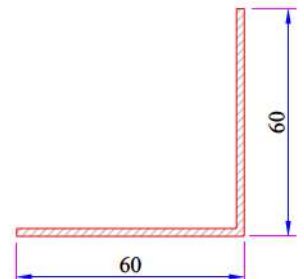
Fly-Screen Sash - Fly-Screen
Mullion Profile Reinforcement
34022-12008



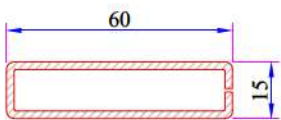
Frame Profile (Single Rail)-
Frame Profile With Sill (Single
Rail) Reinforcement
34022-12035



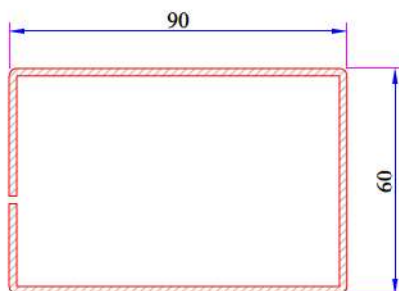
Mullion Profile Static
Reinforcement
34022-12122



90° Corner Profile
Reinforcement
34022-12306

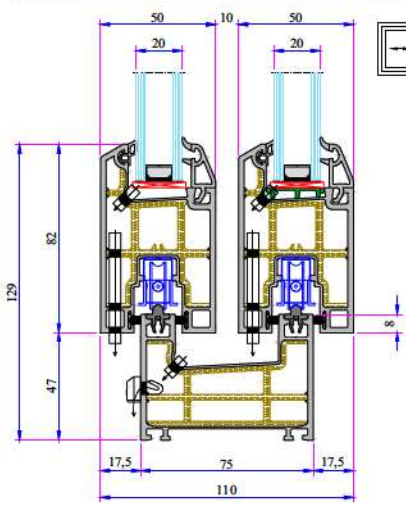


Universal Large Coupling
Profile Reinforcement
34022-12123

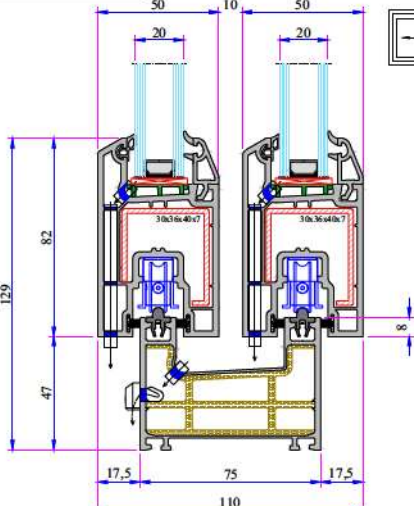


Box Profile Reinforcement
34022-12121

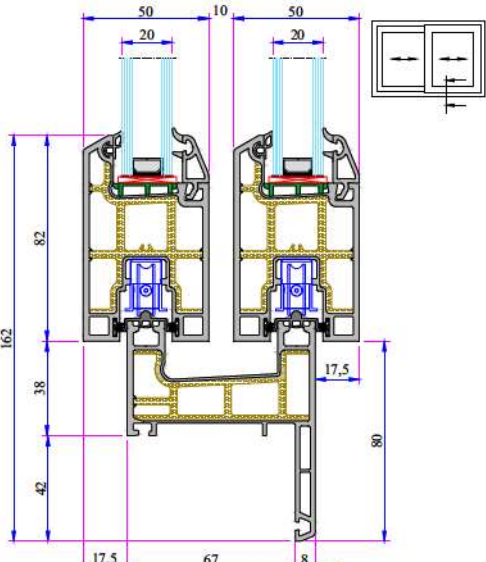
Penwood 232 Sliding Installation



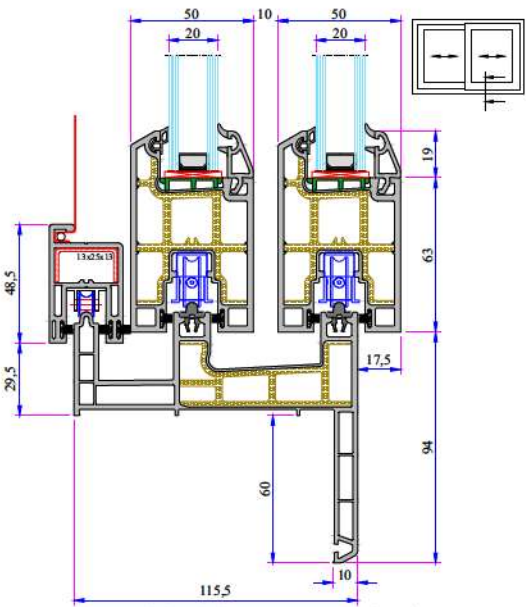
Sliding Frame Sash Double Rail Installation



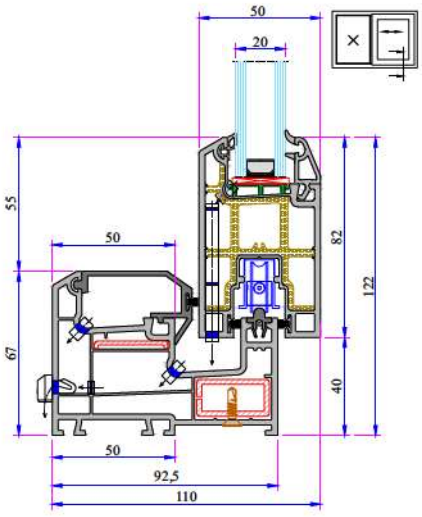
Sliding Frame Static Sash Double Rail Installation



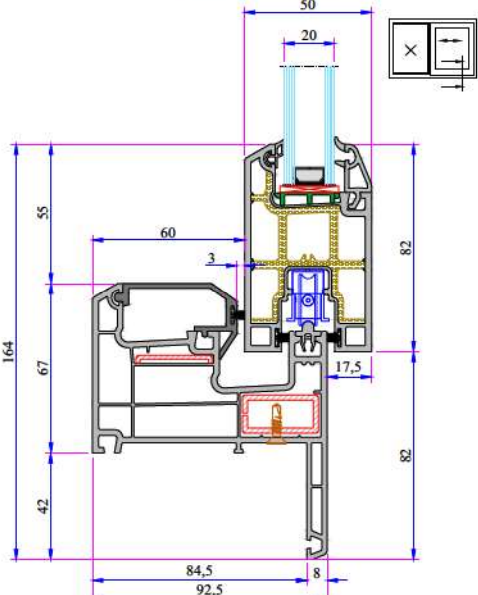
Double Sliding Frame with Sill - Sash Installation



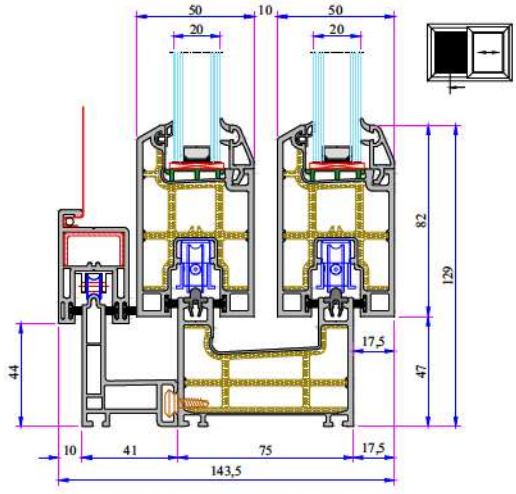
Double Sliding Frame with Sill (60mm) - Sash Installation



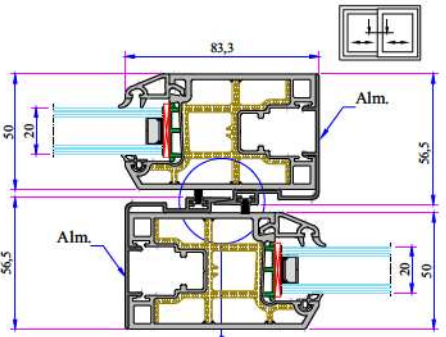
Sliding Frame Sash Single Rail Installation



Frame Profile With Sill (Single Rail) - Sash Installation

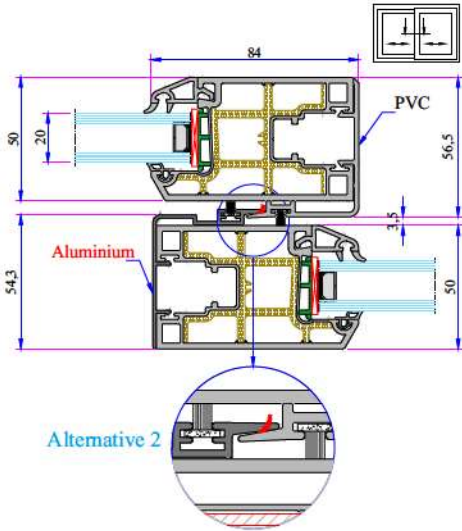


Double Rail Sliding Frame - Sliding Sash - Screen Adaptor Profile Installation

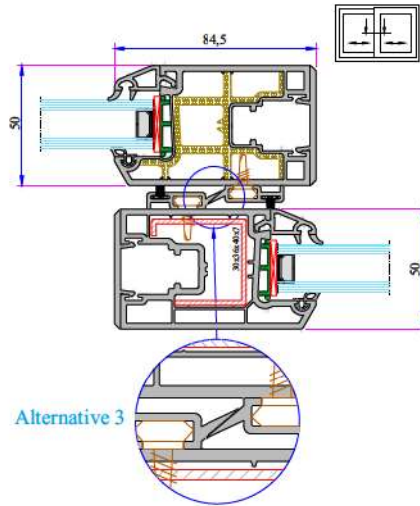


Alternative 1
Alm. Sash Cover Profile Installation

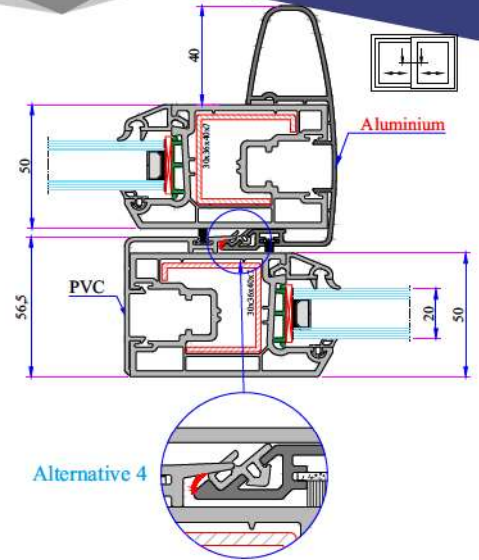
PENWOOD 232 SLIDING SERIES PVC PROFILE SYSTEM



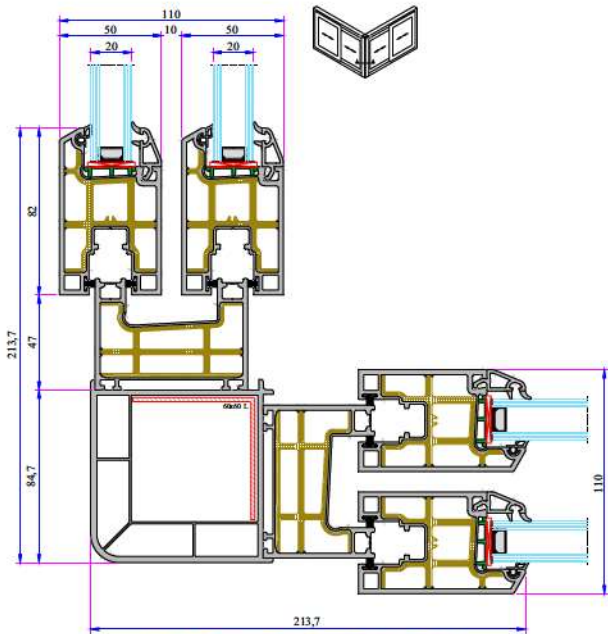
Alternative 2
PVC and Aluminium Sash Cover Installation



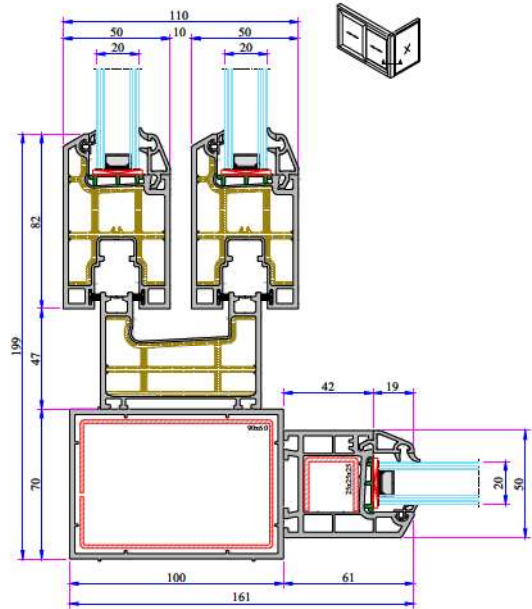
Alternative 3
Sash Cover and Lap Strip Profile Installation



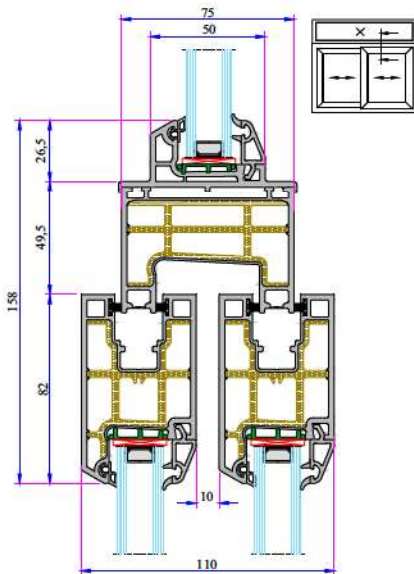
Alternative 4
Alm. Sash Cover Griyaj Profile Installation



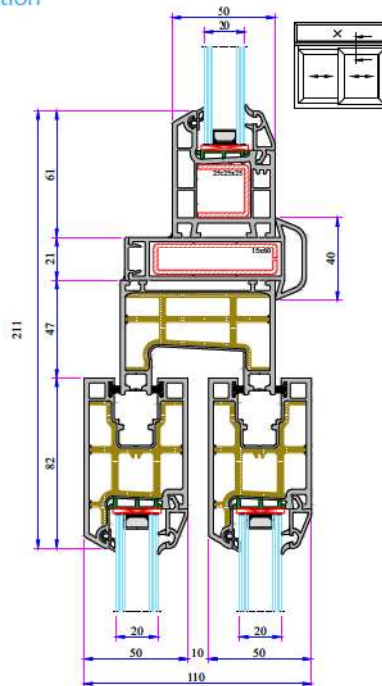
90° Corner Profile Installation



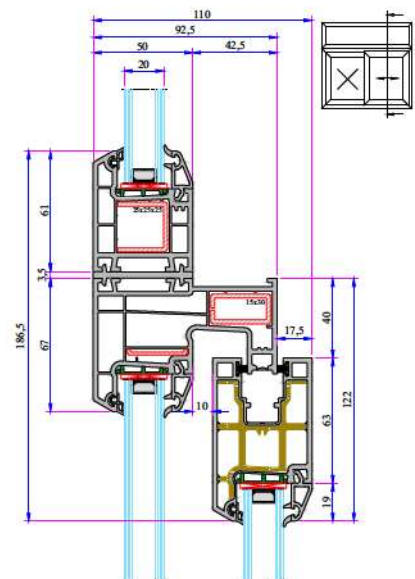
Box Profile Installation (70*100)



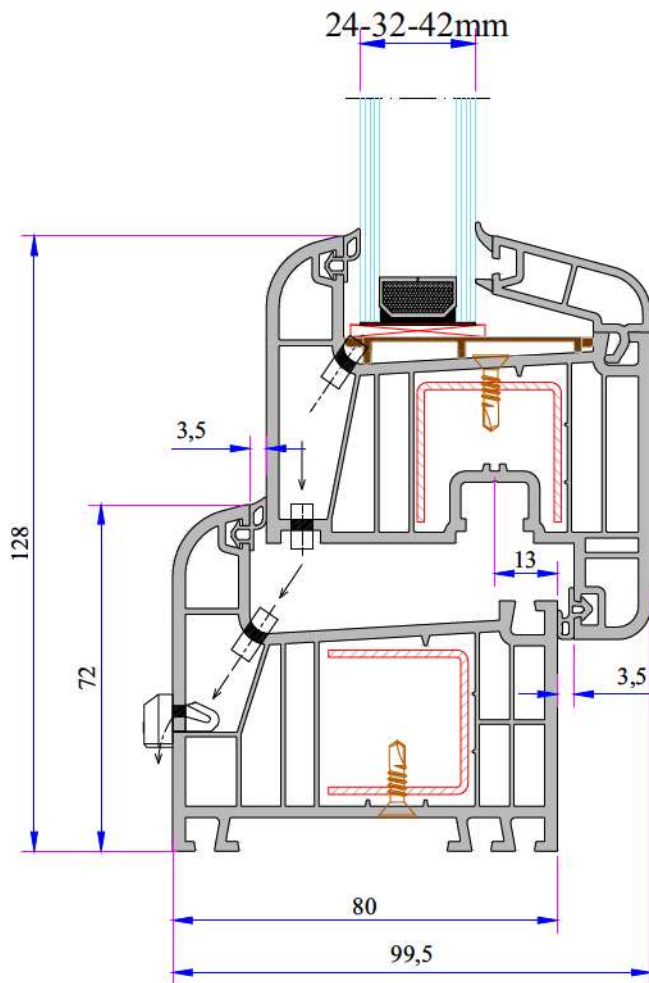
Top Fixed - Bottom Double Rail Sliding Installation



Large Coupling Profile Installation



Top Fixed - Bottom Single Rail Sliding Installation



TECHNICAL

W 800 SERIES

Profile Width: 80 mm

Number of chambers: 6

Profile Class: A Class (TS EN 12608-1) /
RAL 716-GZ A Class

Seal Type: External / Internal double seal
system

Seal Type and Color: TPE - Grey / Black

Glass Thickness (mm): 24, 32, 42 mm

The thermal insulation Uf: 1,2 W/m²K

W 860 SERIES

Profile Width: 80 mm

Number of chamber: 6

Profile Class: B Class (TS EN 12608-1) /
RAL 716-GZ B Class

Seal Type: External / Internal double seal
system

Seal Type and Color: TPE - Grey / Black

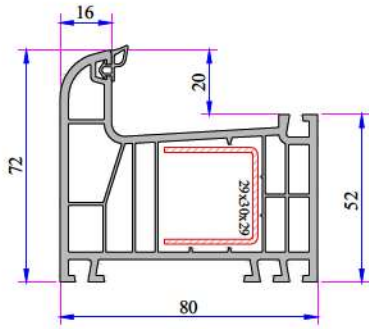
Glass Thickness (mm): 24, 32, 42 mm

The thermal insulation Uf: 1,2 W/m²K

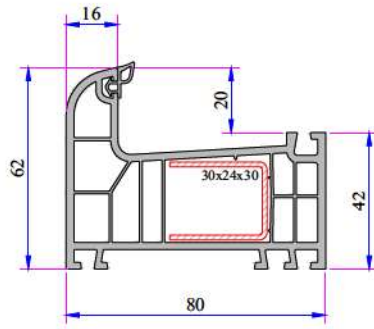
INSTRUCTION

- The profiles have 80 mm width.
- Because of the elastic grey and black seal which does not leave any stain on profiles will be provided maximum air, water, dust and sound isolation.
- Due to the 6 chambers profiles, it has maximum performance for thermal, sound and water isolation.
- It is a series of profiles with very special design that provides maximum wind resistance on high rise buildings.
- Excluding normal sash profile there is also chance to have a choice for offset type sash profile.
- In addition to white profile a different laminated color range is available.
- Application of 24, 32, 42 mm glazing beads give us alternatives of using double, triple glazing and panels.

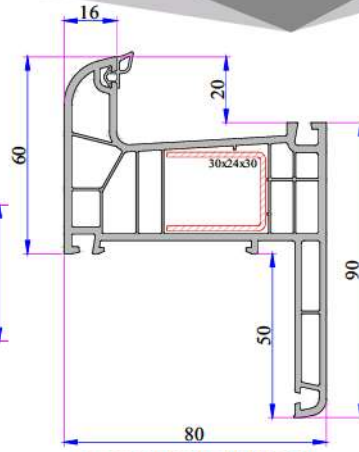
W 800 - W 860 SERIES PVC PROFILE SYSTEM



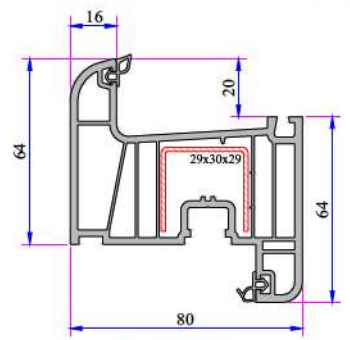
Frame Profile
800.1000 (A Class)
860.1000 (B Class)



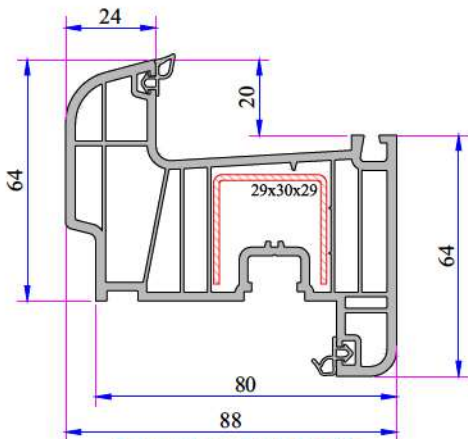
Eco Frame Profile
860.1003



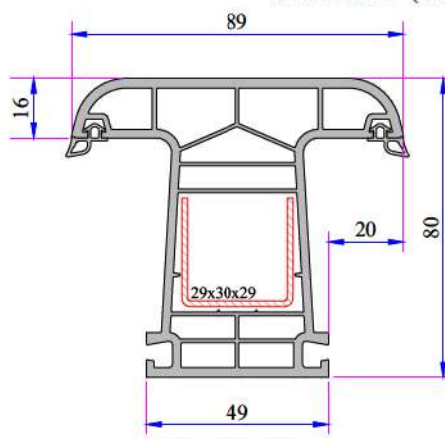
Frame Profile With Sill
860.1200
860.1200.PC (with Double Seal)



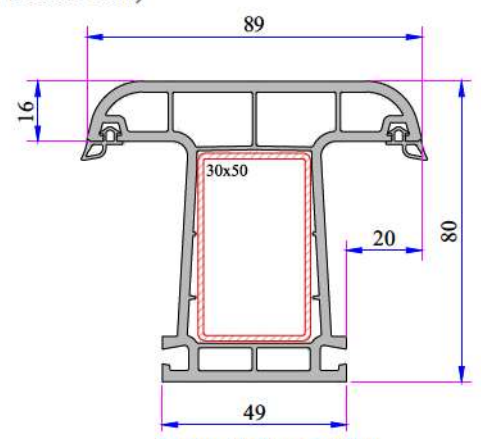
Sash Profile
800.2000 (A Class)
860.2000 (B Class)



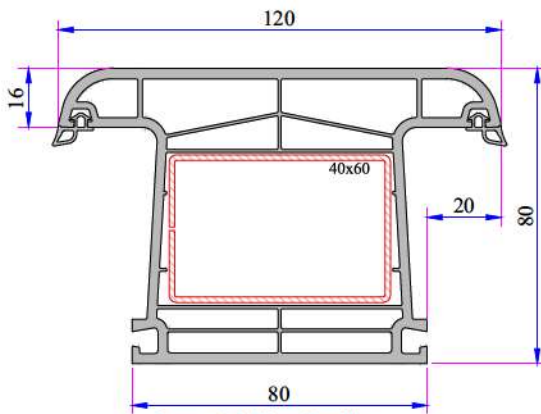
Offset Type Sash Profile
860.2200



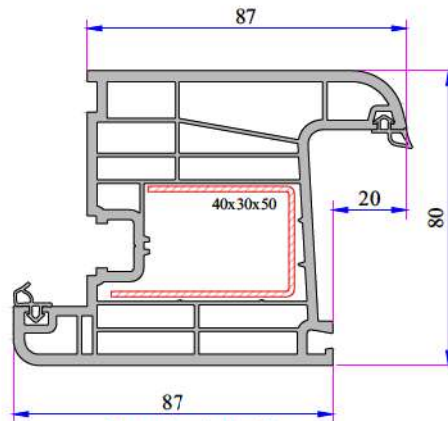
Mullion Profile
860.3000 (A Class)
860.3000 (B Class)



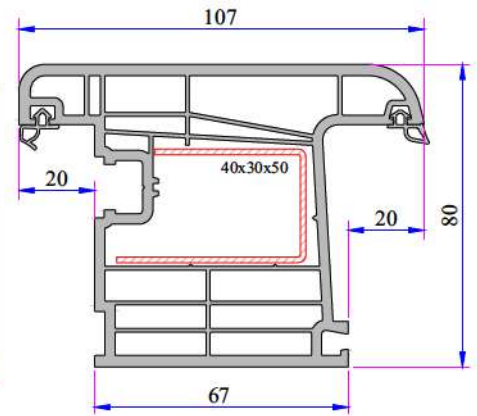
Static Mullion Profile
800.3009



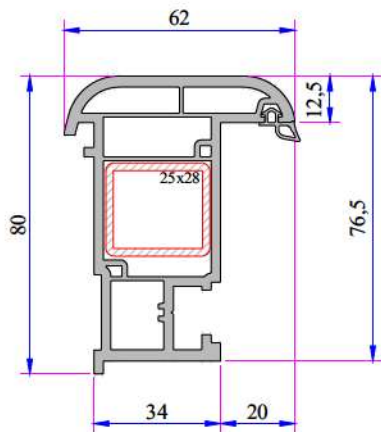
Super Mullion Profile
800.3008



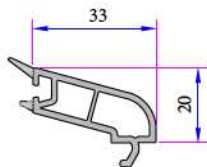
Door Sash Profile
800.2100



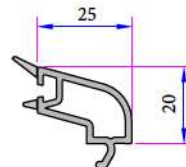
Outward Opening Door Sash Profile
800.2101



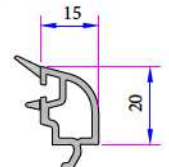
Lap Joint Profile
800.3100



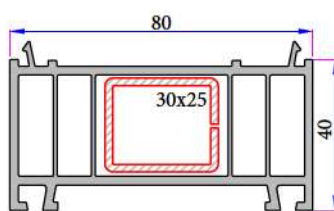
Double Glazing Bead 24 mm
800.4200



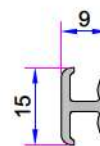
Triple Glazing Bead 32 mm
800.4500



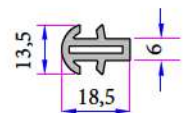
Triple Glazing Bead 42 mm
800.4600



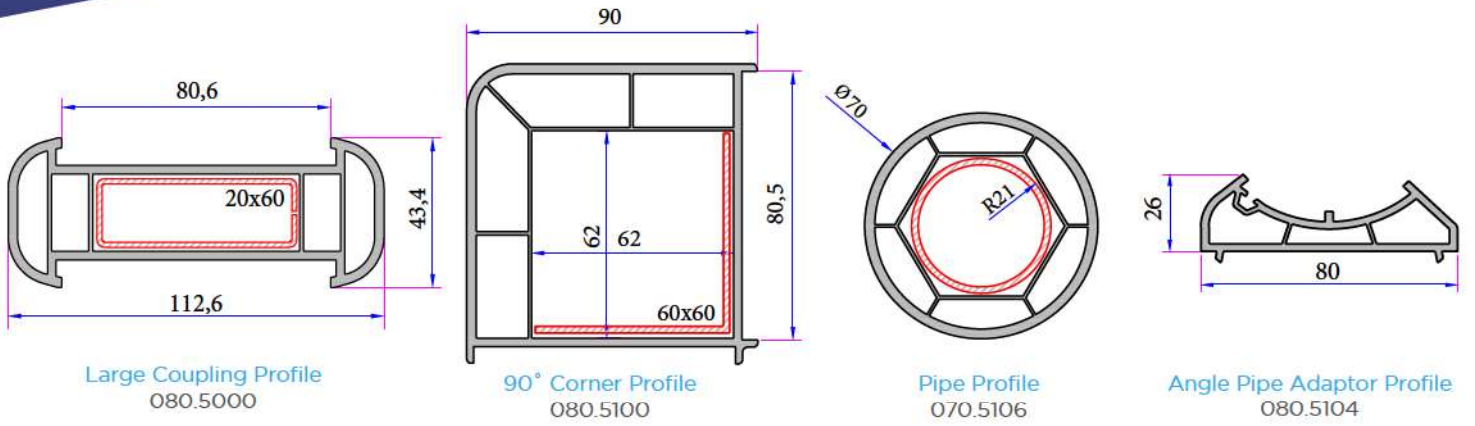
Frame Lifting Profile
080.5300



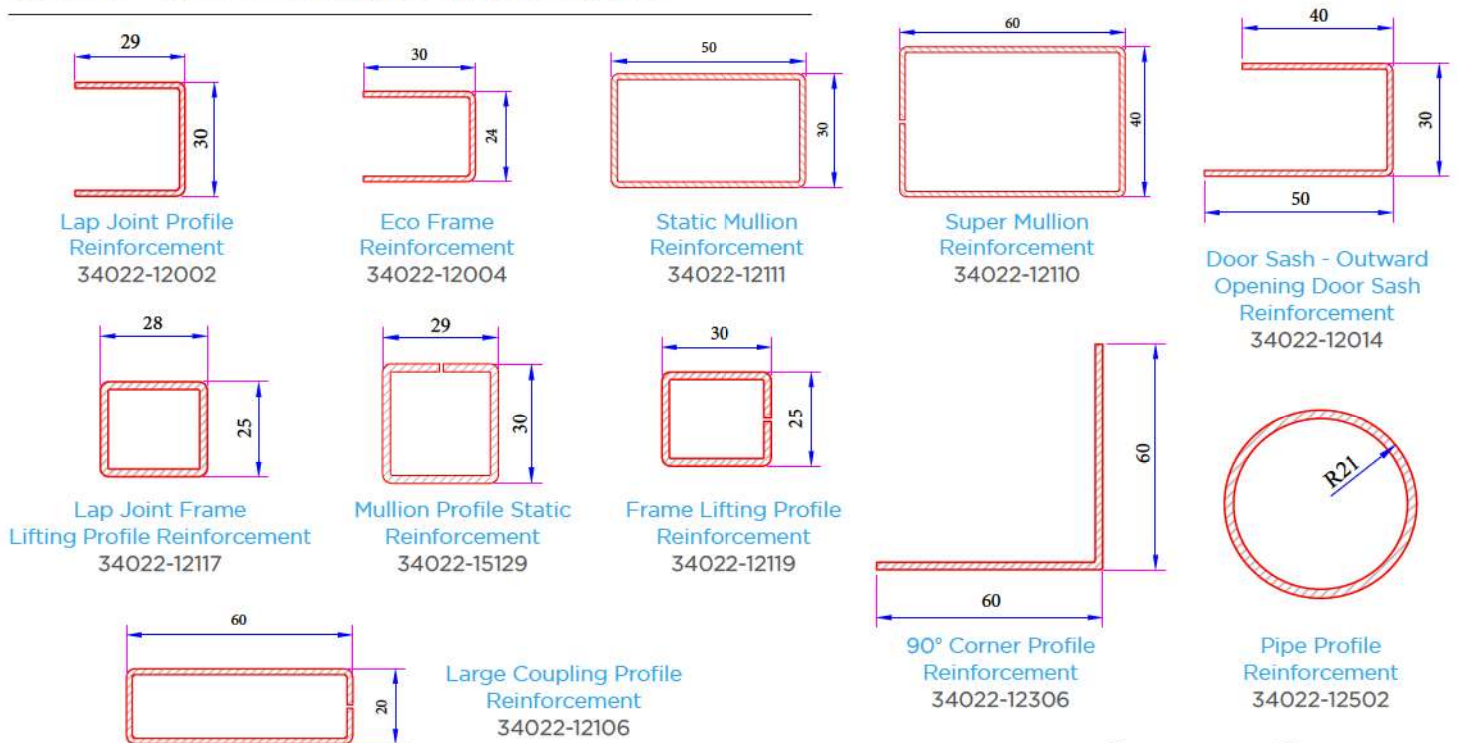
Universal Short Coupling Profile
099.5004



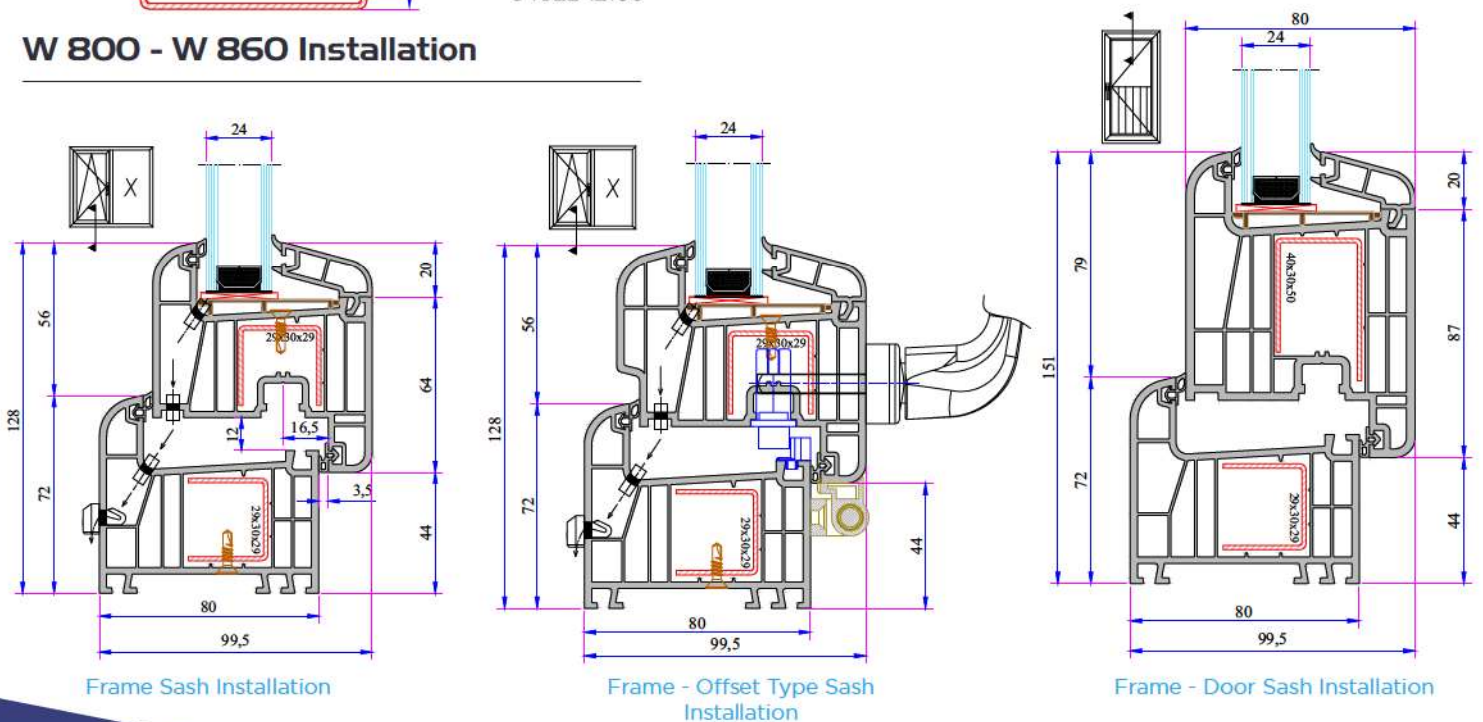
Coupling Profile
099.5003



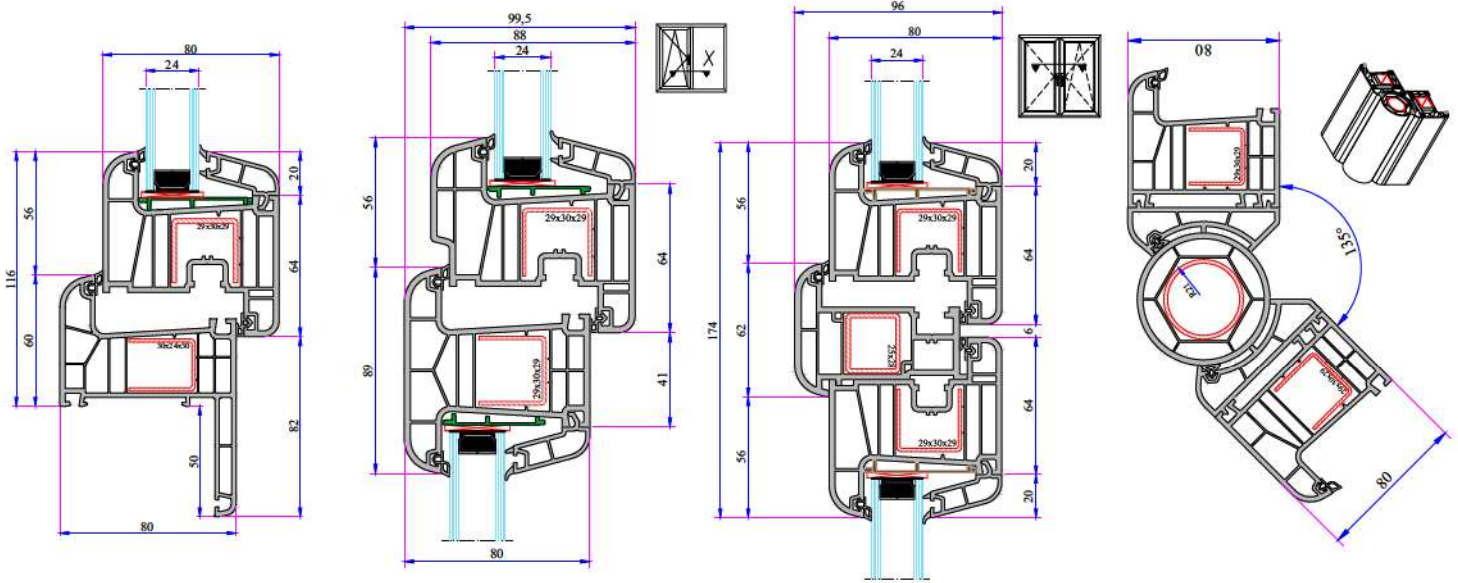
W 800 - W 860 Re-Inforcement Profiles



W 800 - W 860 Installation



W 800 - W 860 SERIES PVC PROFILE SYSTEM

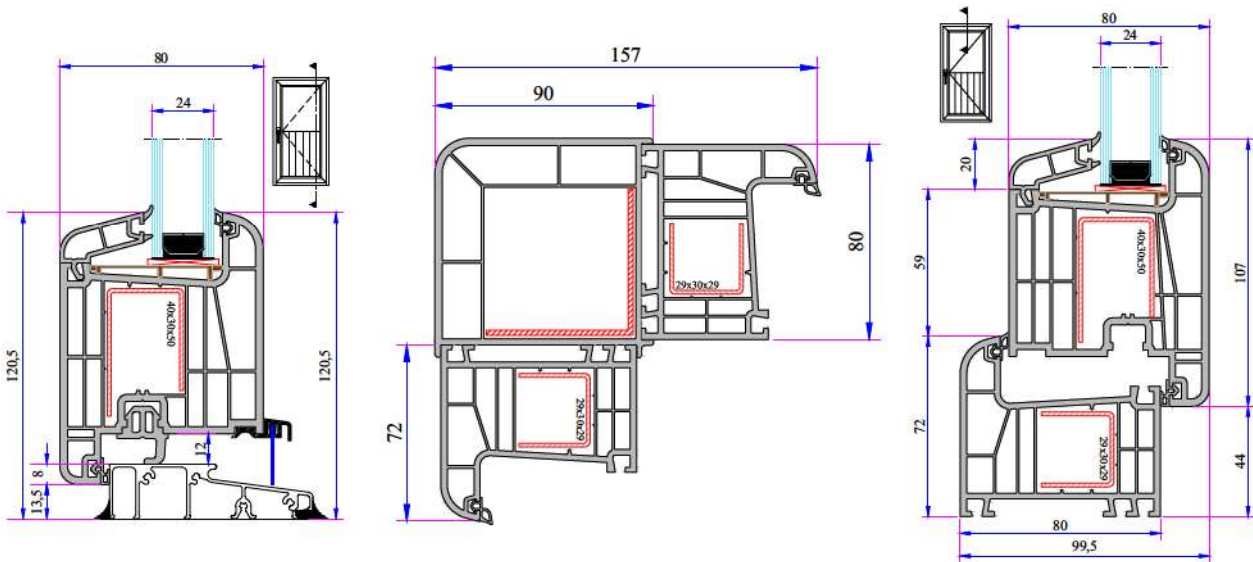


Frame Profile with Sill - Sash Installation

Sash - Mullion Profile Installation

Sash - Lap Joint Installation

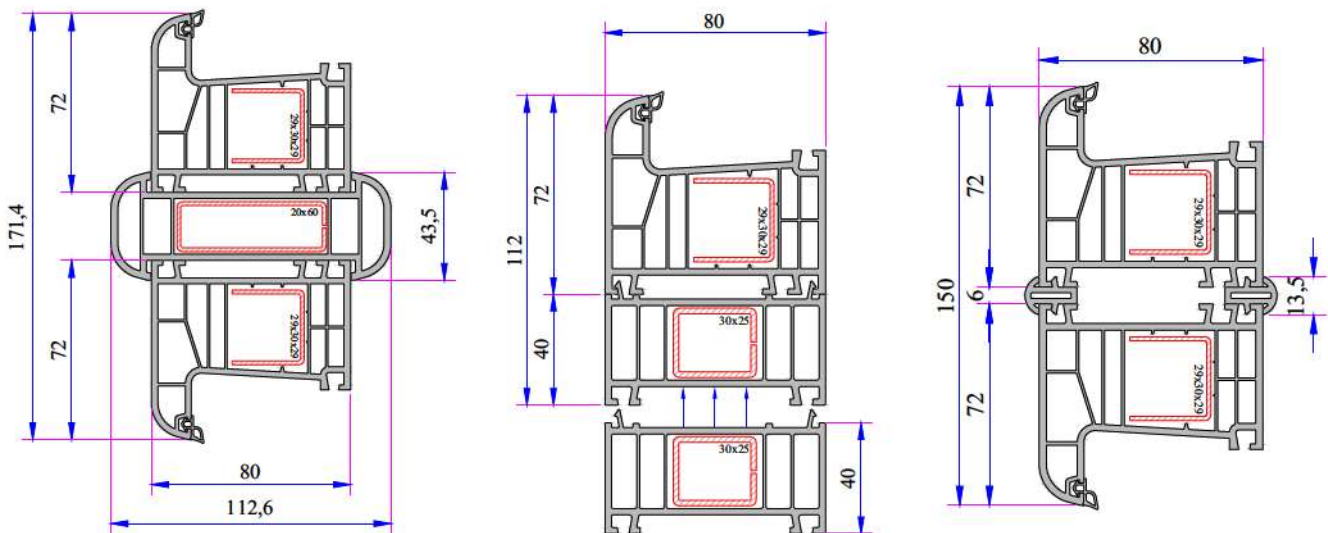
Pipe Profile Installation



With Aluminium Threshold - Door Sash Installation

90° Corner Profile Installation

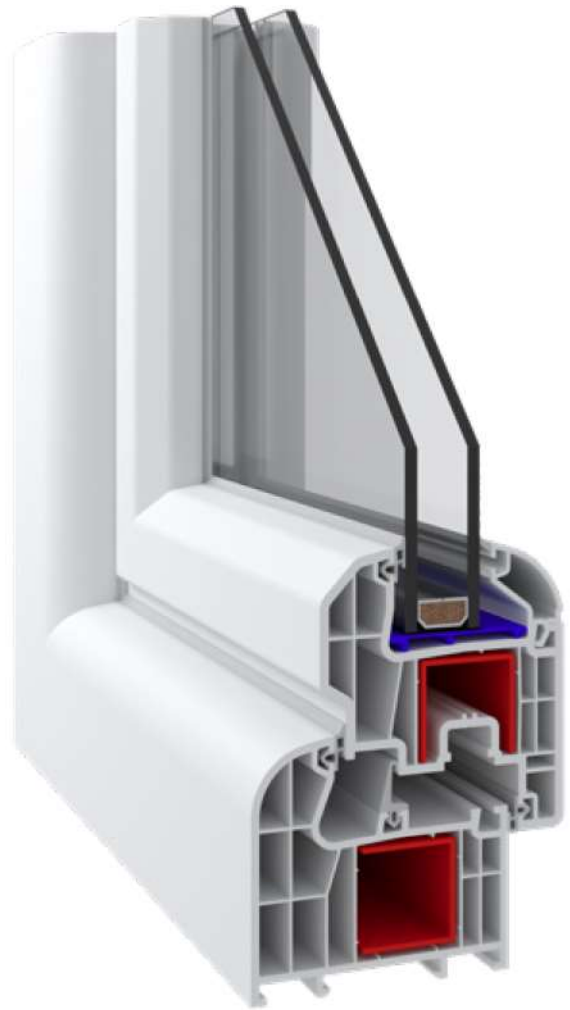
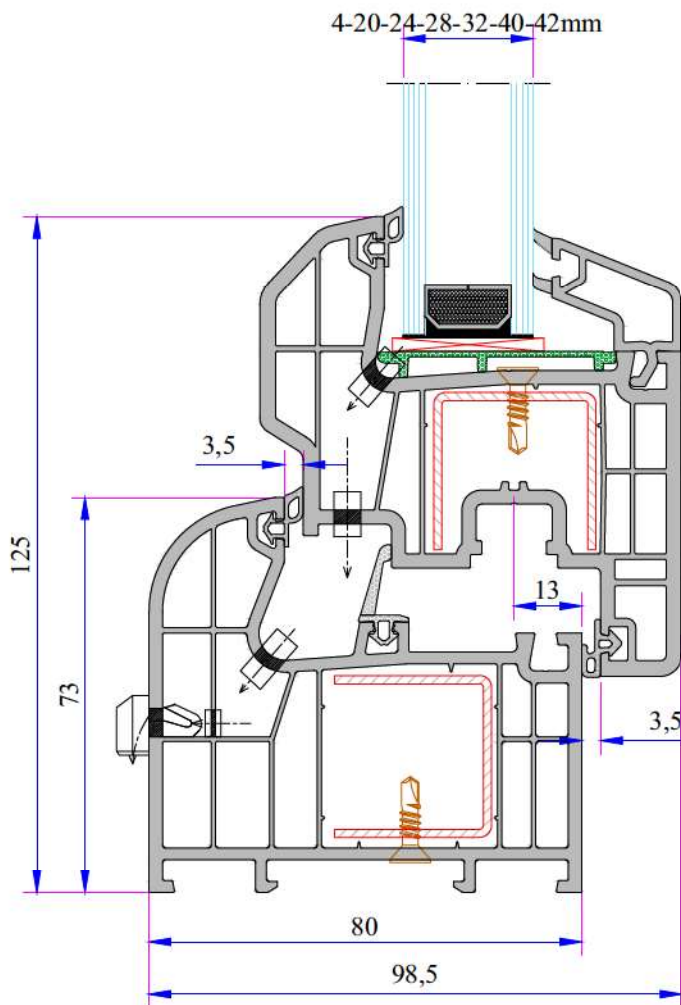
Frame - Outward Opening Door Sash Installation



Large Coupling Installation

Frame Lifting Installation

Short Coupling Installation



TECHNICAL

W 873 MD SERIES

Profile Width: 80 mm

Number of chambers: 6

Profile Class: B Class (TS EN 12608-1)

Seal Type: External / Internal triple seal system

Seal Type and Color: TPE - Grey /Black

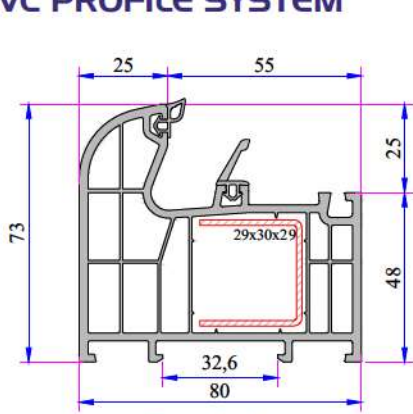
Glass Thickness (mm): 4, 20, 24, 28, 32, 40, 42 mm

The thermal insulation Uf: 1,15 W/m²K

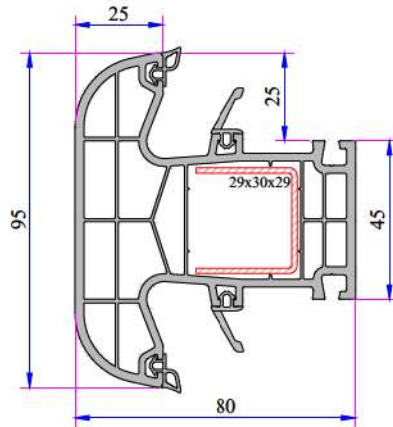
INSTRUCTION

- The profiles have frame 80 mm, sash 70 mm width.
- Because of the elastic grey and black seal which does not leave any stain on profiles will be provided maximum air, water, dust and sound isolation.
- Due to the 6 chambers profiles, it has maximum performance for thermal, sound and water isolation.
- It is a series of profiles with very special design that provides maximum wind resistance on high rise buildings.
- In addition to white profile a different laminated color range is available.
- 4-5 mm single glazing, application of 20, 24, 32, 42 mm glazing beads give us alternatives of using double, triple glazing and panels.

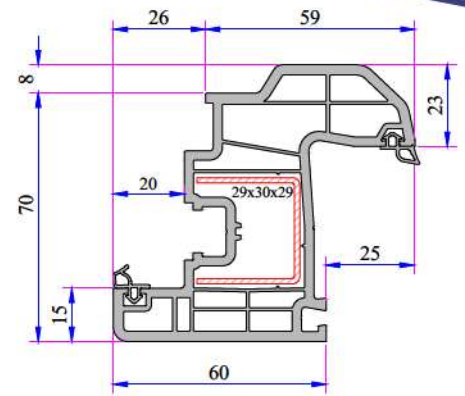
W 873 MD SERIES PVC PROFILE SYSTEM



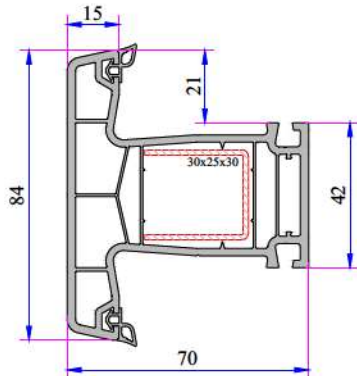
Frame Profile
873.1000



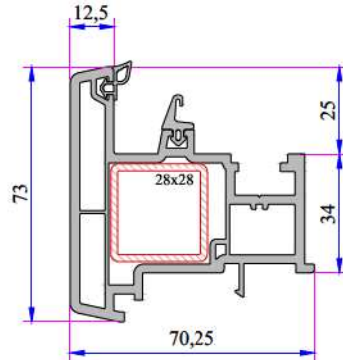
Mullion Profile
873.3000



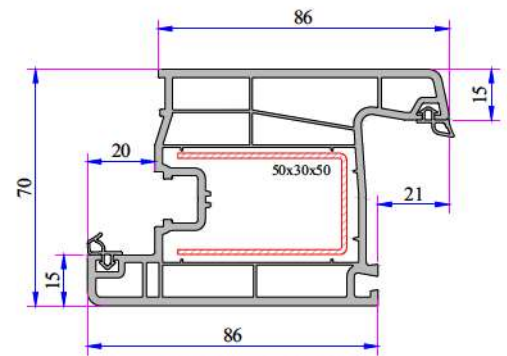
Offset Type Sash Profile
777.2000



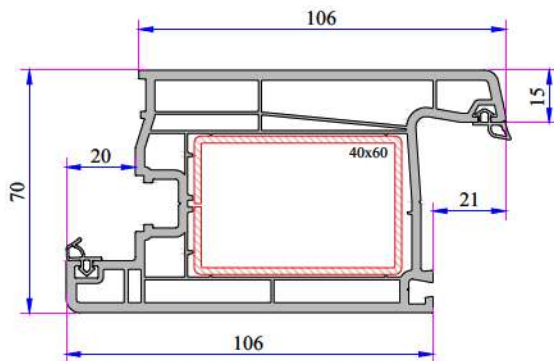
Mullion Profile For Door
750.3000



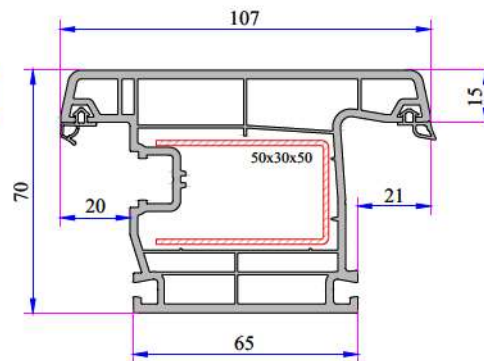
Lap Joint Profile
777.3100



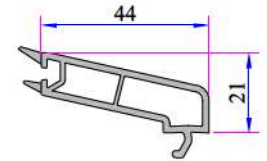
Door Sash Profile
750.2100



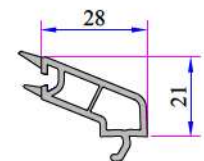
Super Door Sash Profile
750.2103



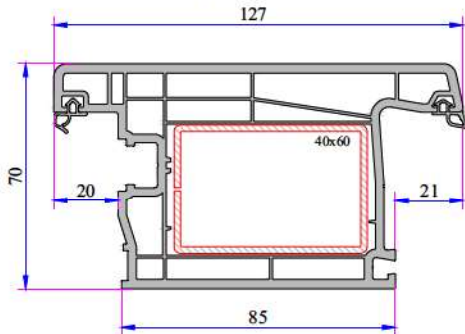
Outward Opening Door Sash Profile
750.2101



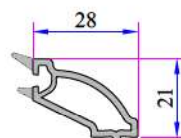
Single Glazing Bead 4-6 mm
P.A.750.4000



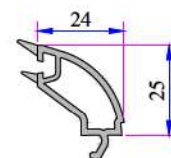
Double Glazing Bead 20 mm
750.4100



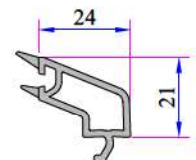
Outward Opening Super Door Sash Profile
752.2104



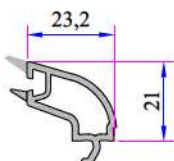
Dec. Double Glazing
Bead 20 mm
750.4102



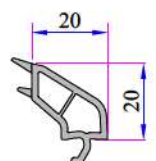
Double Glazing
Bead 24 mm
777.4204



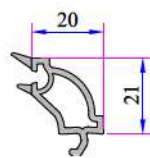
Double Glazing
Bead 24 mm
750.4200



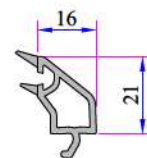
Double Glazing
Bead 24 mm
750.4204



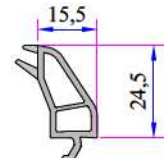
Double Glazing
Bead 28 mm
101.4100



Dec. Double Glazing
Bead 28 mm
101.4102



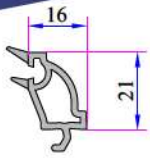
Triple Glazing
Bead 32 mm
750.4500



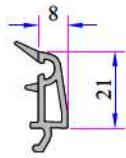
Triple Glazing Bead 32 mm
433.4200

** 873 series Frame and Mullion Profile Glazing Bead dimensions is different. For frame and Mullion Profile Glass size check page 170.

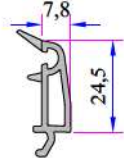
W 873 MD SERIES PVC PROFILE SYSTEM



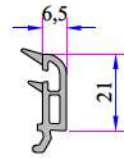
Dec. Triple Bead 32 mm
101.4202



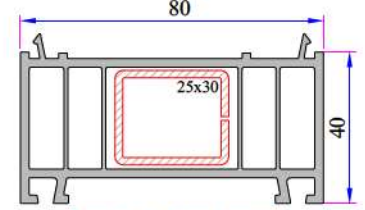
Triple Glazing Bead 40 mm
101.4500



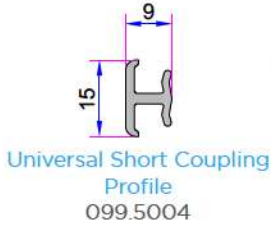
Triple Glazing Bead 40 mm
433.4500



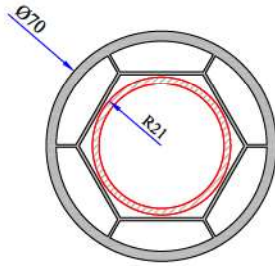
Triple Glazing Bead 42 mm
532.4500



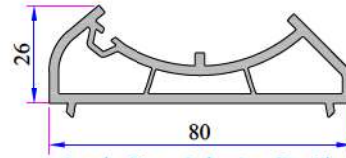
Frame Lifting Profile
080.5300



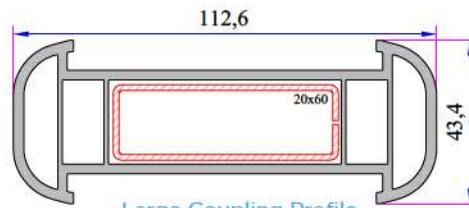
Universal Short Coupling Profile
099.5004



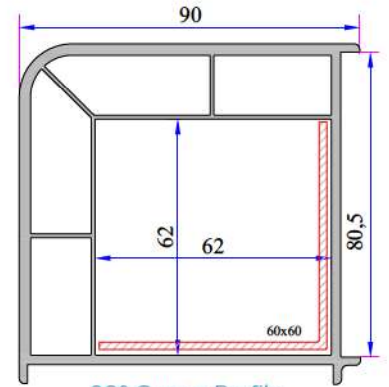
Pipe Profile
070.5106



Angle Pipe Adaptor Profile
080.5104

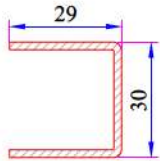


Large Coupling Profile
080.5000

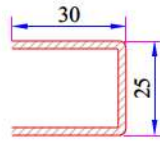


90° Corner Profile
080.5100

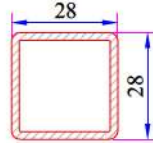
W 873 MD Re-Inforcement Profiles



Frame, Sash, Mullion Profile Reinforcement
34022-12002



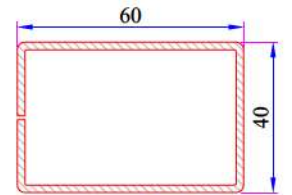
Mullion Profile For Door Reinforcement
34022-12004



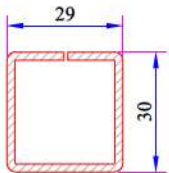
Lap Joint Profile Reinforcement
34022-12113



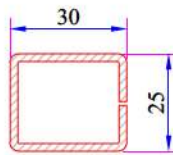
Door Sash - Outward Opening Door Sash Profile Reinforcement
34022-12013



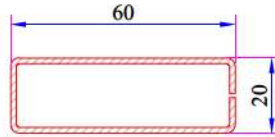
Super Door Sash - Super Outward Opening Door Sash Profile Reinforcement
34022-12110



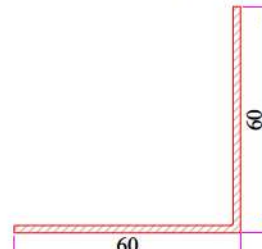
Mullion Profile Static Reinforcement
34022-15129



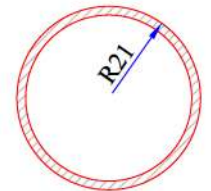
Frame Lifting Profile Reinforcement
34022-12119



Large Coupling Profile Reinforcement
34022-12106

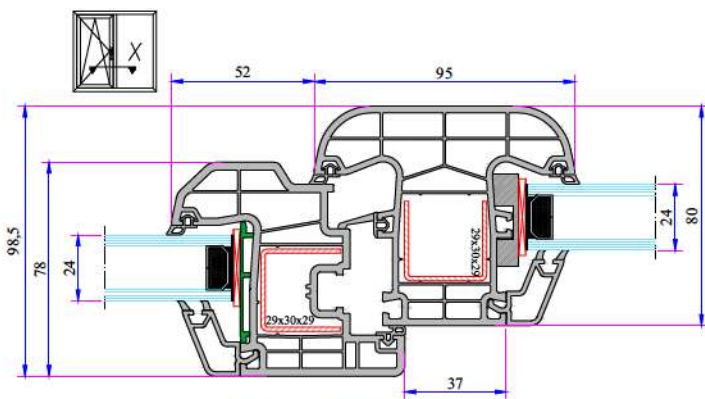


90° Corner Profile Reinforcement
34022-12306

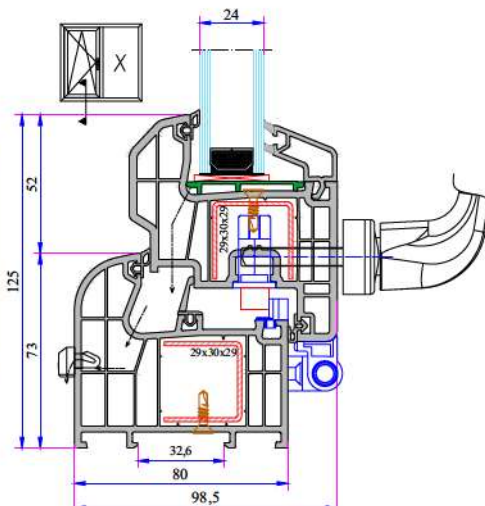


Pipe Profile Reinforcement
34022-12502

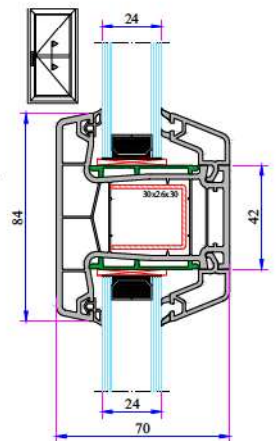
W 873 MD Installation



Mullion - Offset type sash Installation

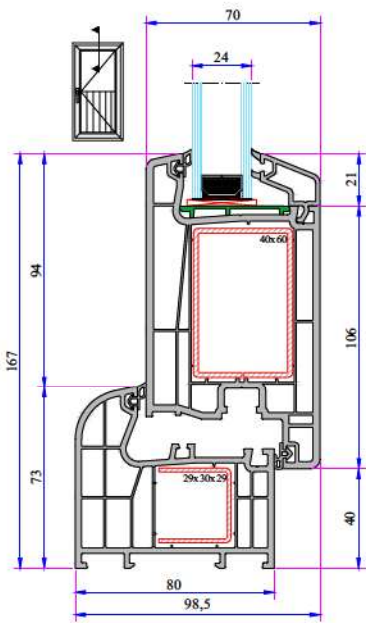


Frame-Sash Installation

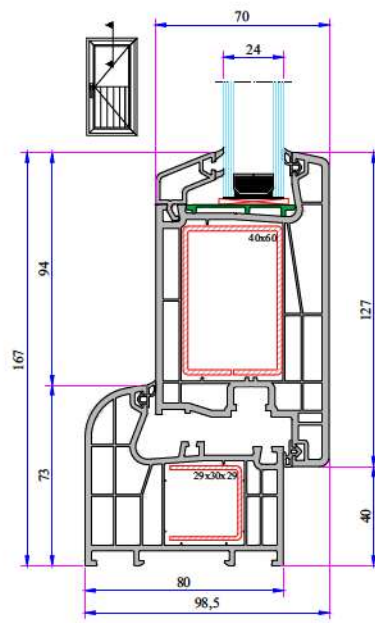


Door Sash - Mullion Installation

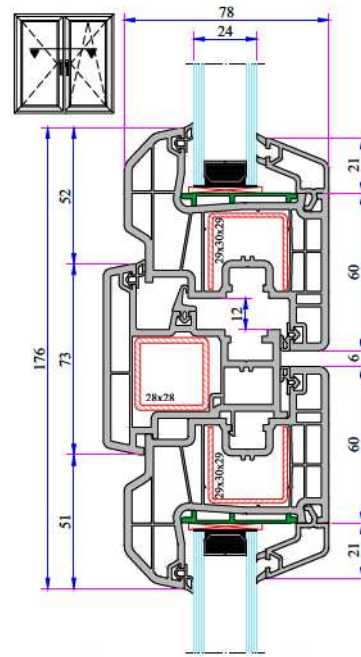
W 873 MD SERIES PVC PROFILE SYSTEM



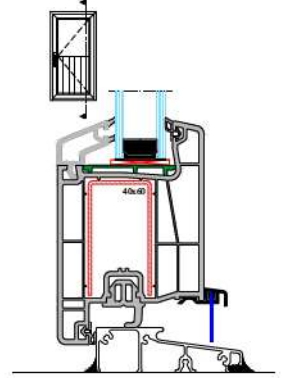
Frame - Super Door Sash Installation



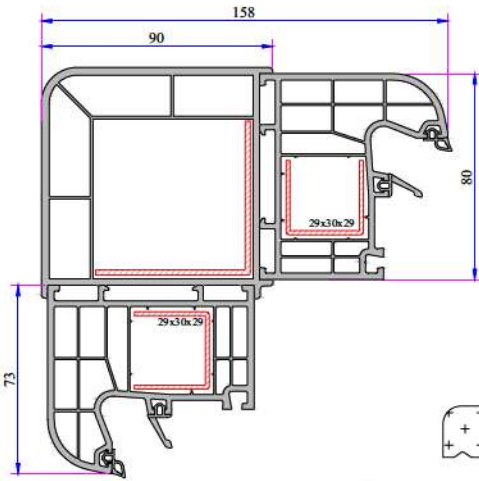
Frame - Super Outward Opening Door Sash Installation



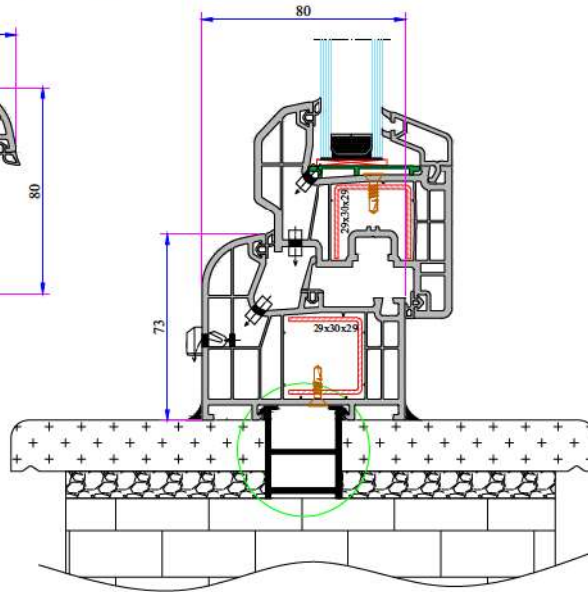
Sash - Lap Joint - Sash Installation



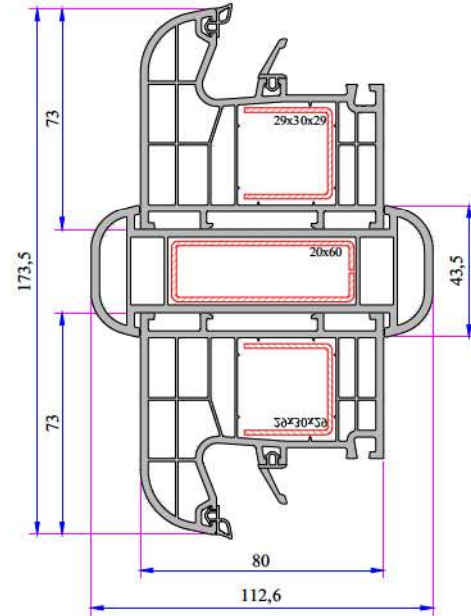
With Aluminium Threshold - Door Sash Installation



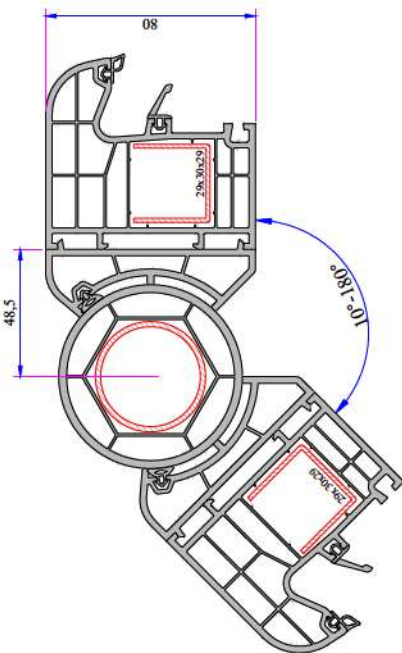
90° Corner Profile Installation



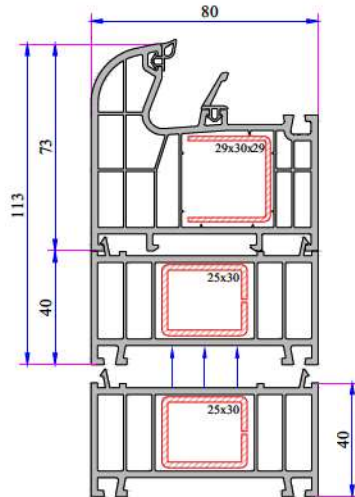
Frame Profile Installation



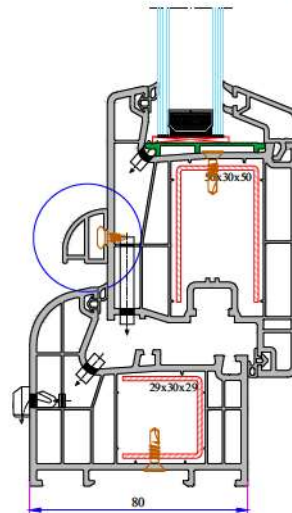
Large Coupling Profile Installation



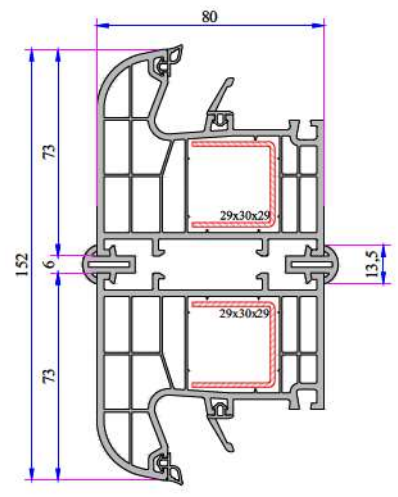
Pipe Profile Installation



Frame Lifting Profile Installation



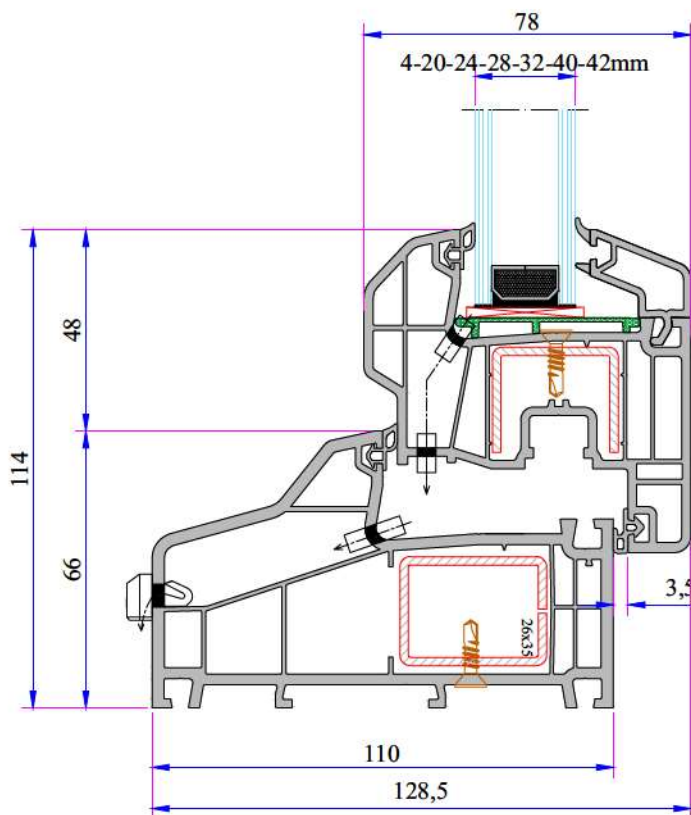
Offset Profile Installation



Short Coupling Profile Installation







TECHNICAL

W 790 SERIES

Profile Width: 110 mm

Number of chambers: 5

Profile Class: A Class (TS EN 12608-1) /
RAL 716-GZ A Class

Seal Type: External / Internal double seal
system

Seal Type and Color: TPE - Grey /Black

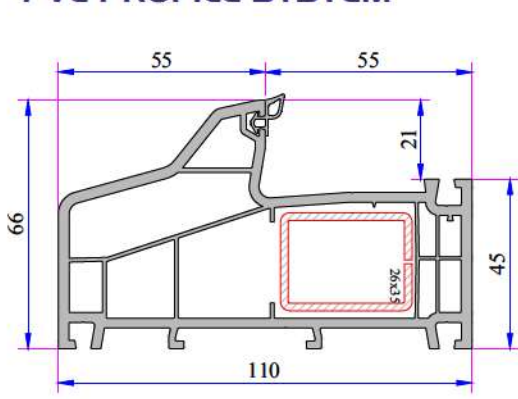
Glass Thickness (mm): 4, 20, 24, 28, 32,
40, 42 mm

The thermal insulation Uf: 1,36 W/m²K

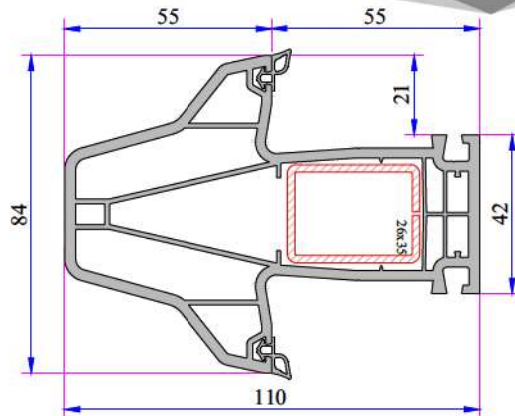
INSTRUCTION

- The main profiles have 110 mm width.
- Because of the elastic grey and black seal which does not leave any stain on profiles will be provided maximum air, water, dust and sound isolation.
- Due to the 5 chambers profiles, it has maximum performance for thermal, sound and water isolation.
- It is a series of profiles with very special design that provides maximum wind resistance on high rise buildings.
- In addition to main white profile it has a different laminated color range.
- 4-5 mm single glazing application of 4, 20, 24, 28, 32, 40, 42 mm glazing beads give us alternatives of using double, triple glazing and panels.

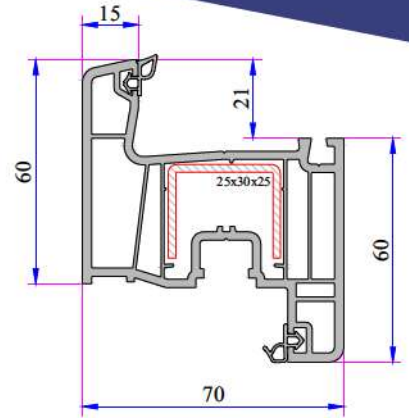
W 790 SERIES PVC PROFILE SYSTEM



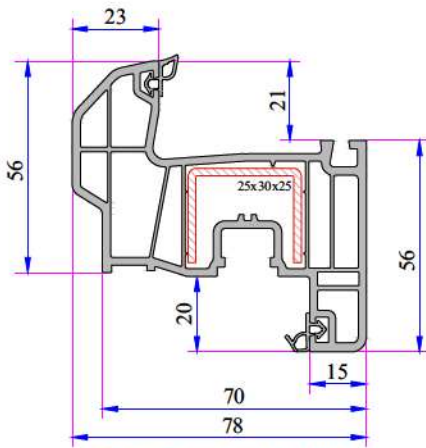
W 790 Frame Profile
790.1000



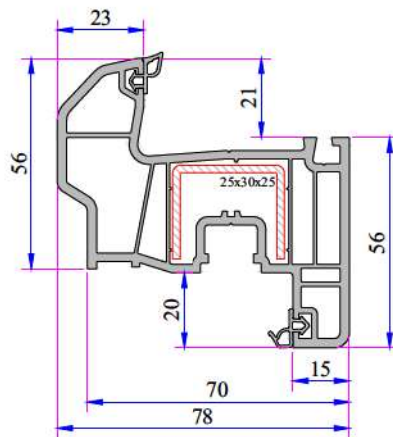
W 790 Mullion Profile
790.3000



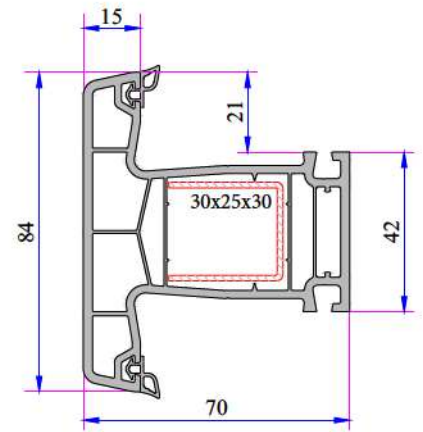
Sash Profile
750.2000



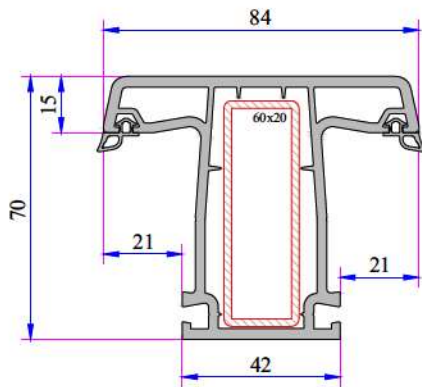
Offset Type Sash Profile
(6 Chambers)
750.2205



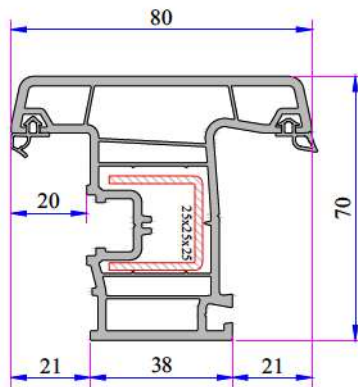
Offset Type Sash Profile
750.2200



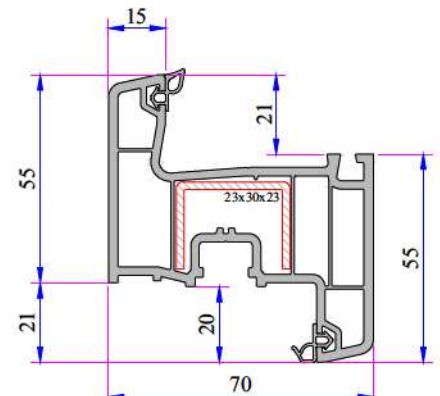
Mullion For Door Profile
750.3000



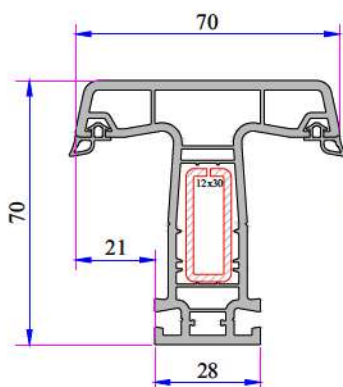
Static Mullion Profile
750.3009



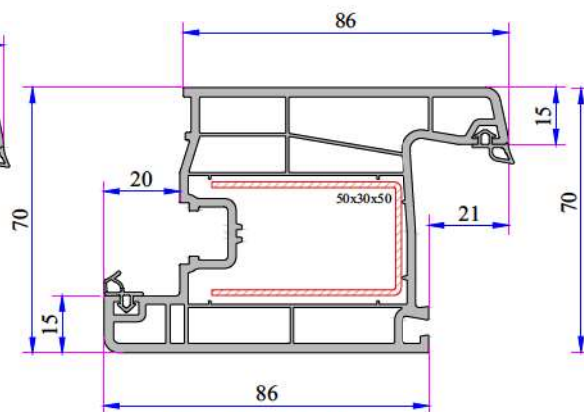
Outward Opening Sash Profile
750.2001



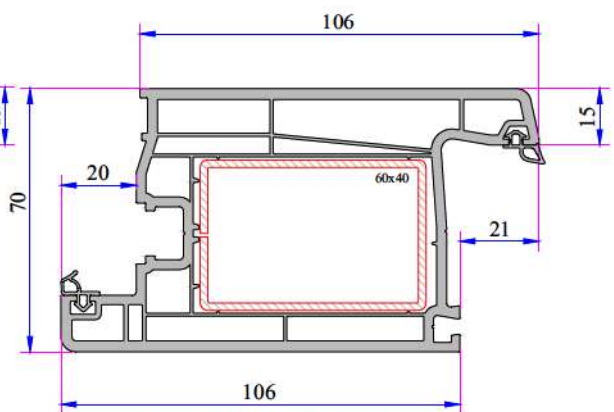
24 Axis. Sash Profile
750.2003



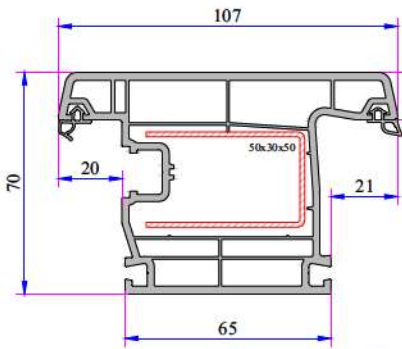
Eco Mullion Profile
750.3006



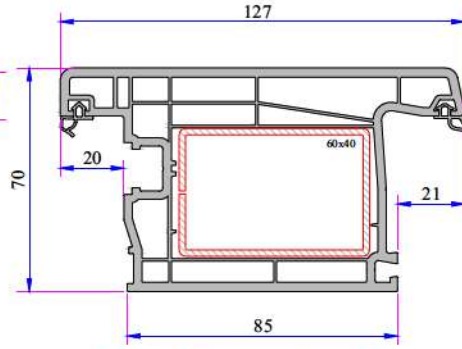
Door Sash Profile
750.2100



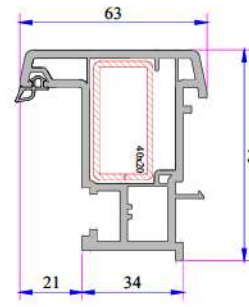
Super Door Sash Profile
750.2103



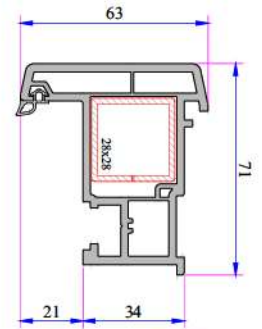
Outward Opening Door Sash Profile
750.2101



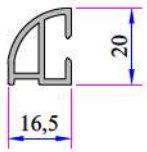
Outward Opening Super Door Sash Profile
752.2104



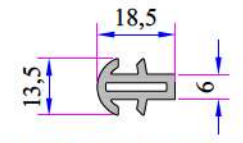
Static Lap Joint Profile (Spiked)
750.3101



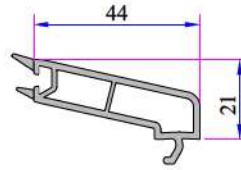
Lap Joint Profile
750.3100



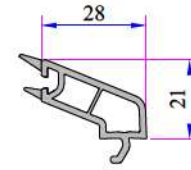
Offset Profile
900.6307



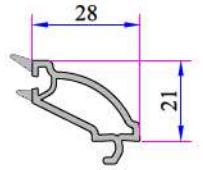
Short Coupling Profile
099.5003



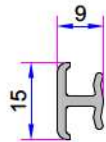
Single Glazing Bead
4-6mm
750.4000



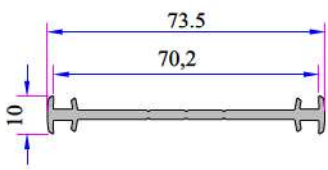
Double Glazing Bead
20 mm
750.4100



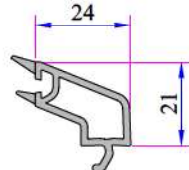
Double Glazing Bead
20 mm
750.4102



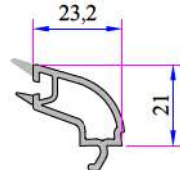
Universal Short Coupling Profile
099.5004



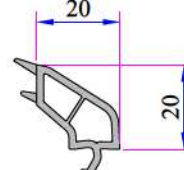
Narrow Coupling Profile
070.5001



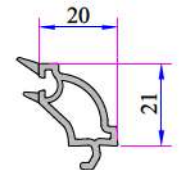
Double Glazing Bead 24 mm
750.4200



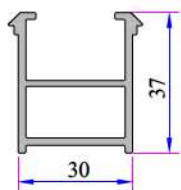
Double Glazing Bead 24 mm
750.4204



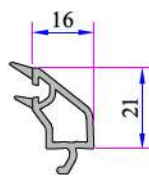
Double Glazing Bead 28 mm
101.4100



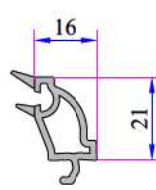
Dec. Double Glazing Bead 28 mm
101.4102



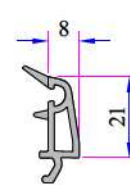
Frame Montage Profile
060.5301



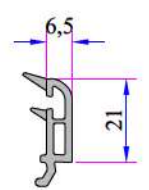
Triple Glazing Bead 32 mm
750.4500



Triple Glazing Bead 32 mm
101.4202

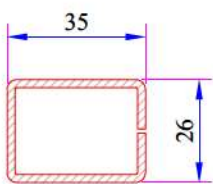


Triple Glazing Bead 40 mm
101.4500

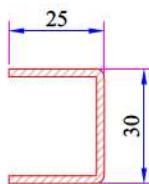


Triple Glazing Bead 42 mm
532.4500

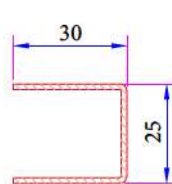
W 790 Re-Inforcement Profiles



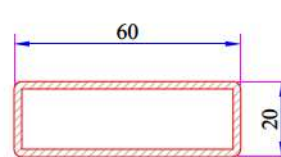
Frame - Mullion Profile Reinforcement
34022-12116



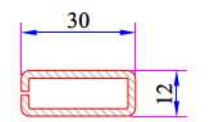
Sash - Offset Type Sash Profile Reinforcement
34022-12025



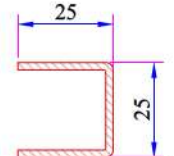
Mullion For Door Profile Reinforcement
34022-12004



Static Mullion Profile Reinforcement
34022-12106

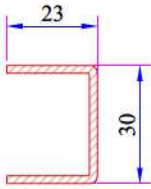


Eco Mullion Profile Reinforcement
34022-12115

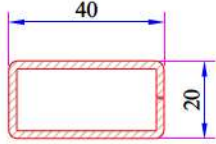


Outward Opening Sash Profile Reinforcement
34022-12003

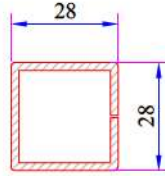
W 790 SERIES PVC PROFILE SYSTEM



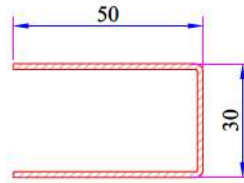
24 Axis Sash Profile Reinforcement
34022-12030



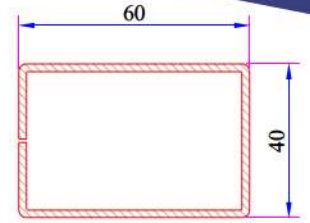
Static Lap Joint Profile Reinforcement
34022-12114



Lap Joint Profile Reinforcement
34022-12113

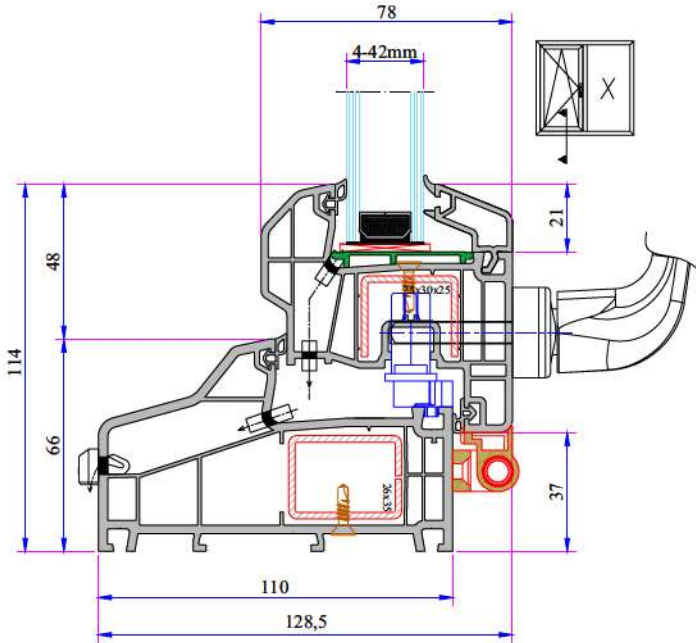


Door Sash - Outward Opening Door Sash Reinforcement
34022-12013

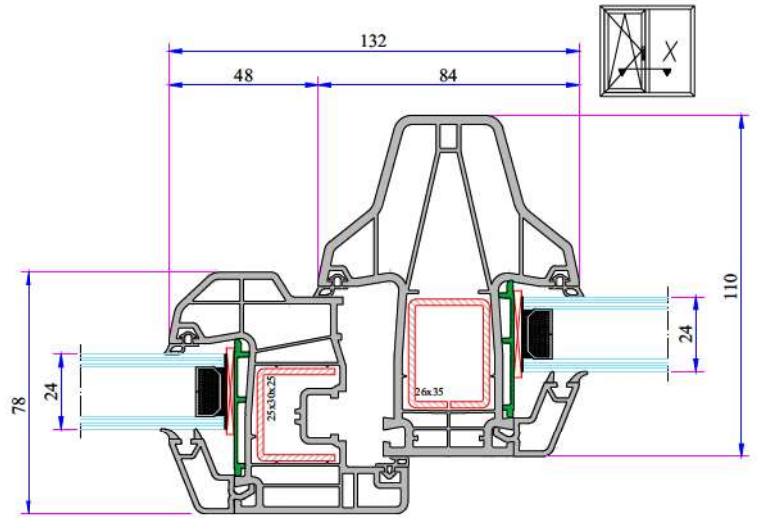


Super Door Sash - Outward Opening Super Door Sash Reinforcement
34022-12110

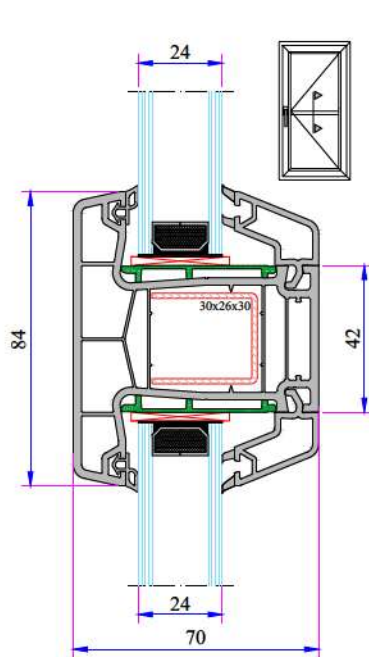
W 790 Installation



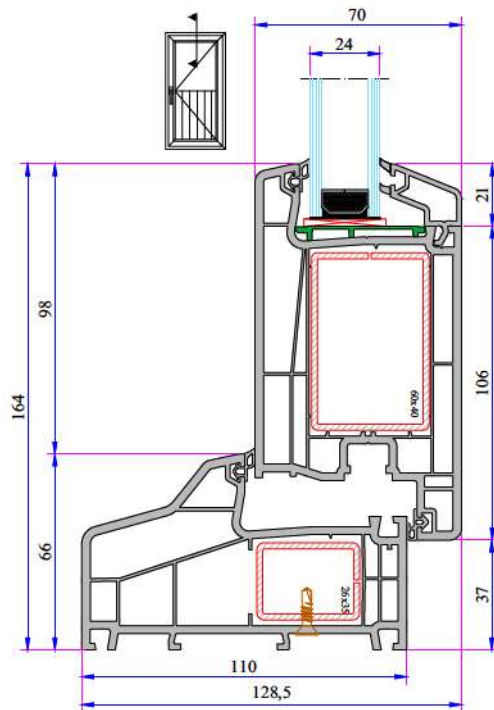
Frame - Sash Installation



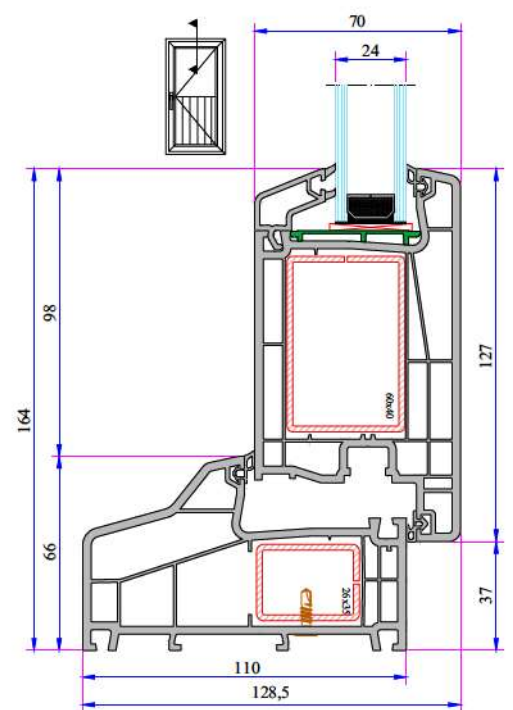
Mullion - Offset Type Sash Installation



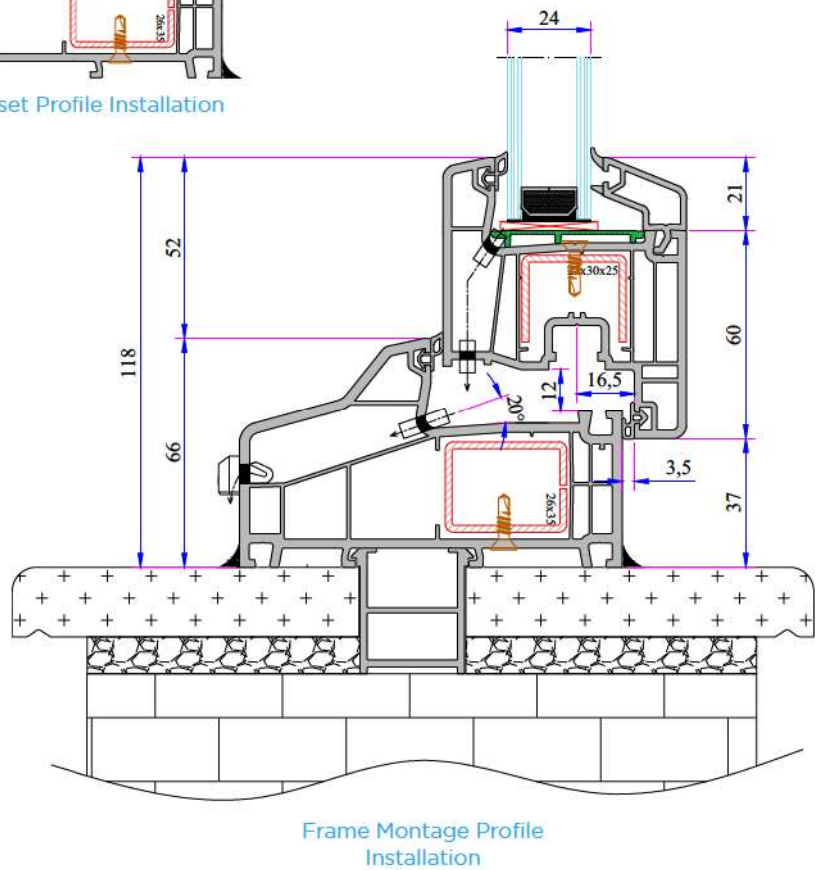
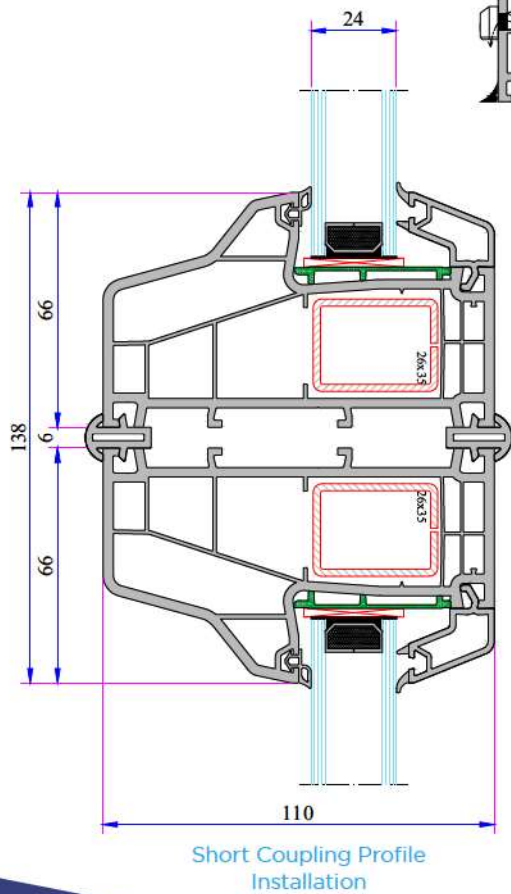
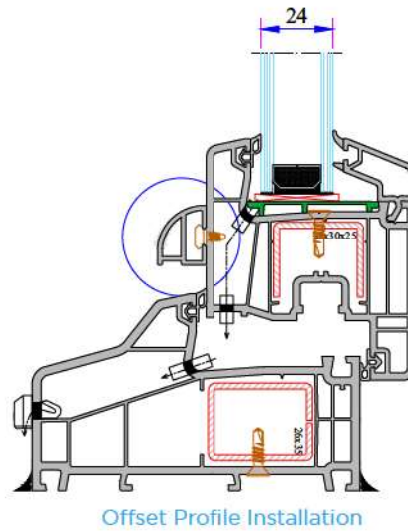
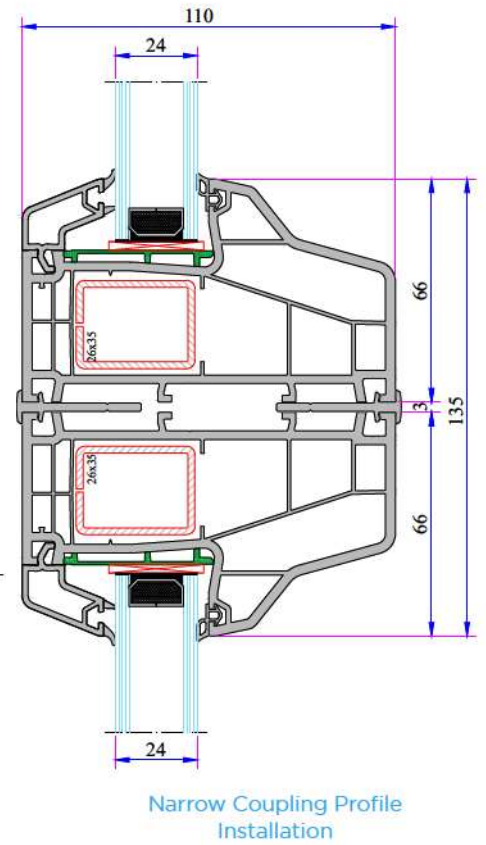
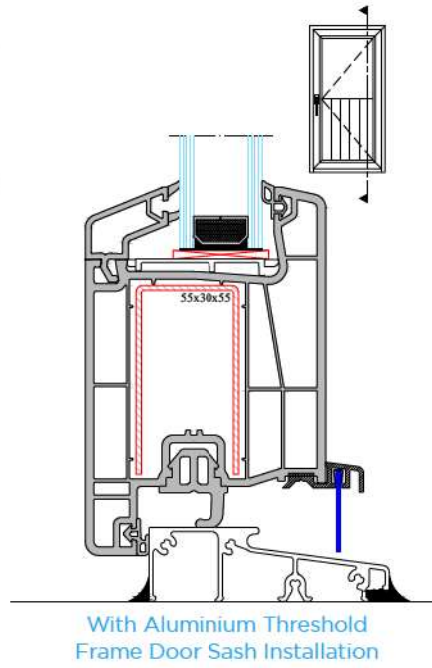
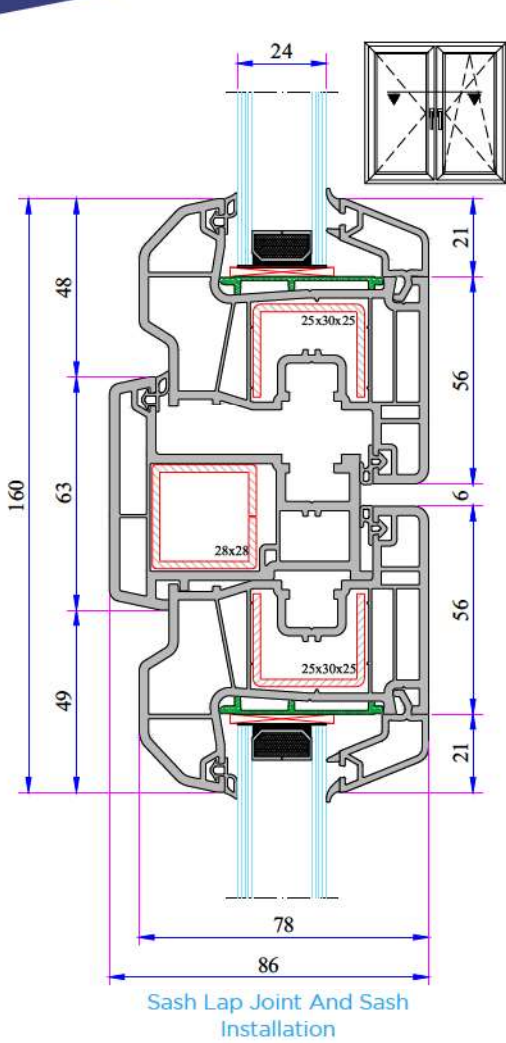
Mullion For Door Profile Installation



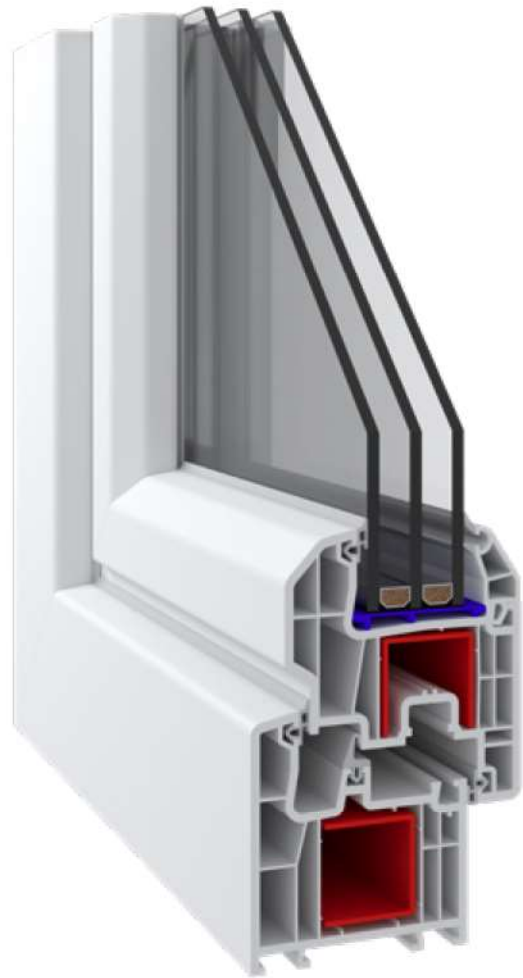
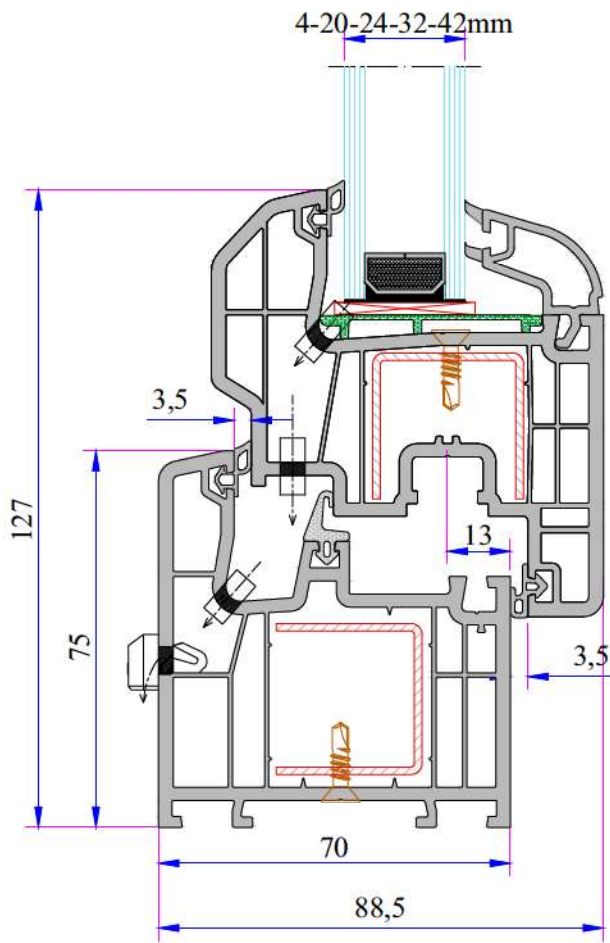
Frame - Super Door Sash Installation



Frame - Outward Opening Super Door Sash Installation







TECHNICAL

W 777 MD & AD SERIES

Profile Width: 70 mm

Number of chambers: 5

Profile Class: A Class (TS EN 12608-1)

Seal Type: External / Internal triple seal system

Seal Type and Color: TPE - Grey /Black

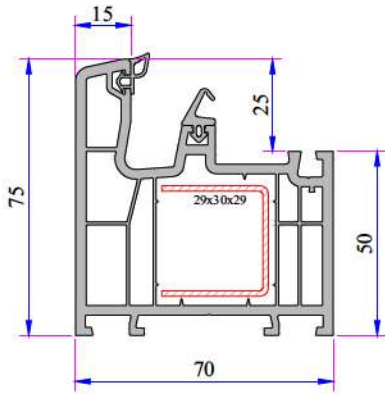
Glass Thickness (mm): 4, 20, 24, 28, 32, 40, 42 mm

The thermal insulation Uf: 1,22 W/m²K

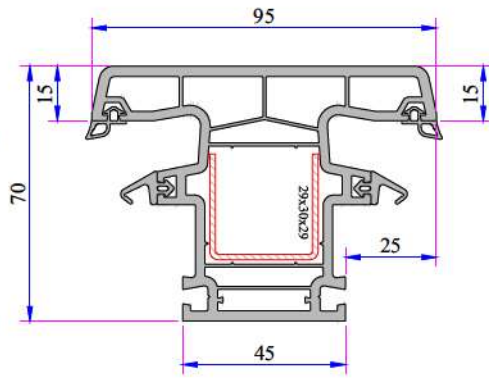
INSTRUCTION

- The main profiles have 70 mm width.
- Because of the elastic grey and black seal which does not leave any stain on profiles will be provided maximum air, water, dust and sound isolation.
- Due to the 5 chambers profiles, it has maximum performance for thermal, sound and water isolation.
- It is a series of profiles with very special design that provides maximum wind resistance on high rise buildings.
- In addition to white profile a different laminated color range is available.
- 4-5 mm single glazing application of 20, 24, 28, 32, 40, 42 mm glazing beads give us alternatives of using double, triple glazing and panels.

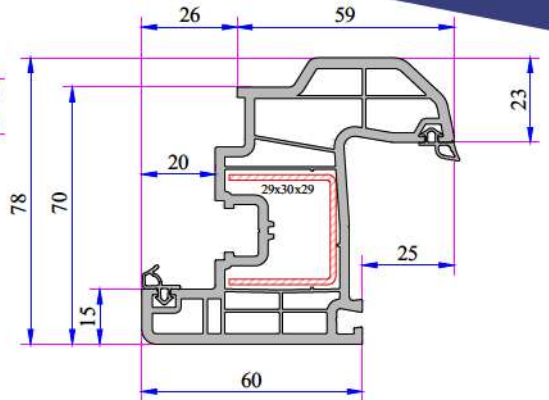
W 777 MD & AD SERIES PVC PROFILE SYSTEM



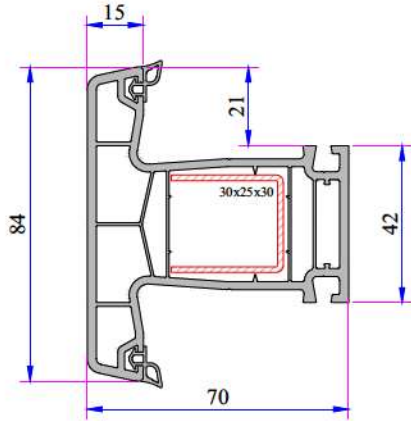
Frame Profile
777.1000



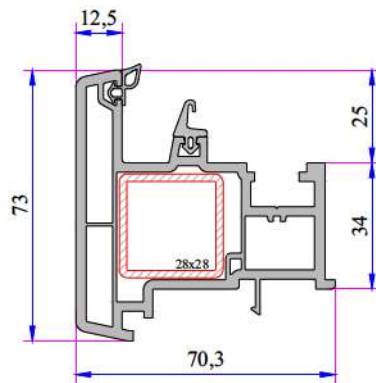
Mullion Profile
777.3000



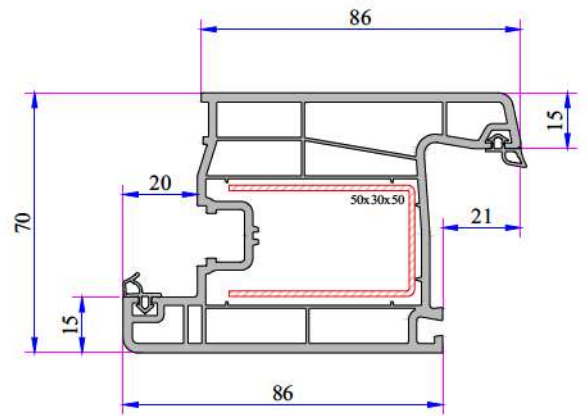
Offset Type Sash Profile
777.2000



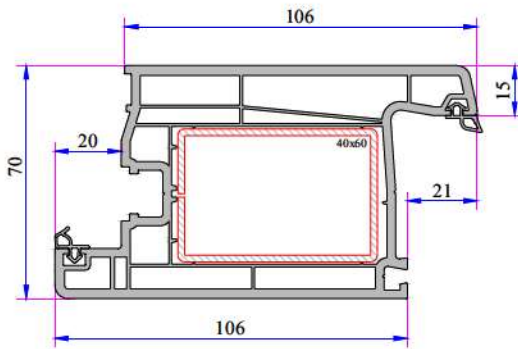
Mullion For Door Profile
750.3000



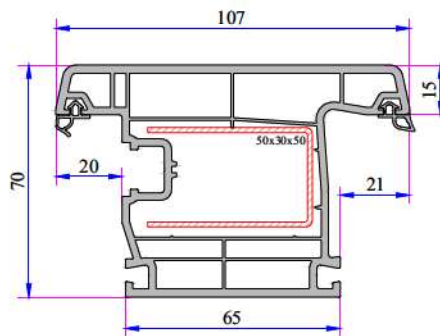
Lap Joint Profile
777.3100



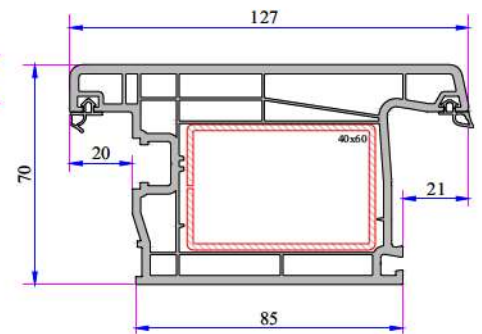
Door Sash Profile
750.2100



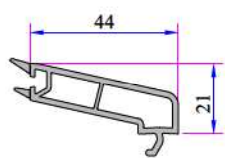
Super Door Sash Profile
750.2103



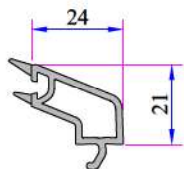
Outward Opening Door Sash Profile
750.2101



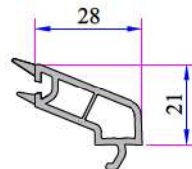
Outward Opening Super Door
Sash Profile
752.2104



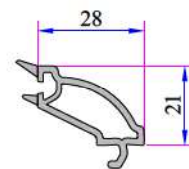
Single Glazing Bead
4-6 mm
PA750.4000



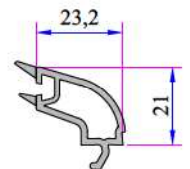
Double Glazing Bead
24 mm
750.4200



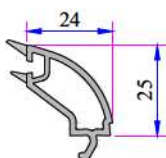
Double Glazing Bead
20 mm
750.4100



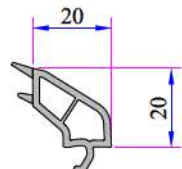
Dec. Double Glazing
Bead 20 mm
750.4102



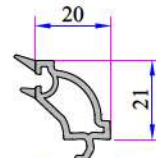
Double Glazing Bead
24 mm
750.4204



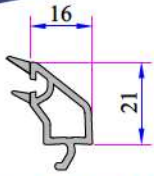
Double Glazing Bead
24 mm
777.4204



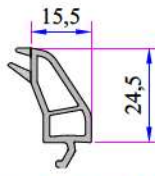
Double Glazing Bead
28 mm
101.4100



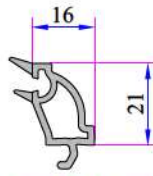
Dec. Double Glazing
Bead 28 mm
101.4102



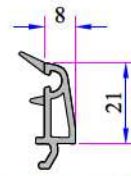
**Triple Glazing Bead
32 mm
750.4500**



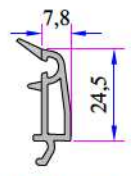
**Triple Glazing Bead
32 mm
433.4200**



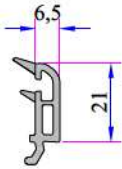
**Dec. Triple Glazing Bead
32 mm
101.4202**



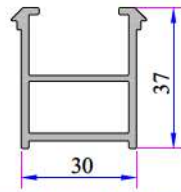
**Triple Glazing Bead
40 mm
101.4500**



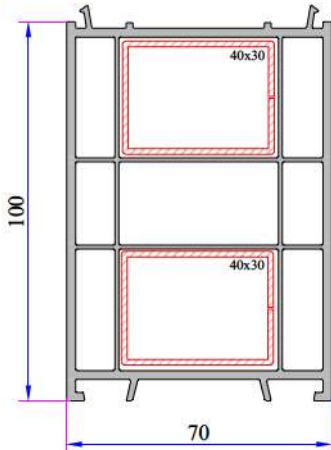
**Triple Glazing Bead
40 mm
433.4500**



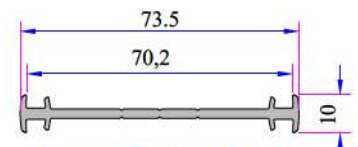
**Triple Glazing Bead
42 mm
532.4500**



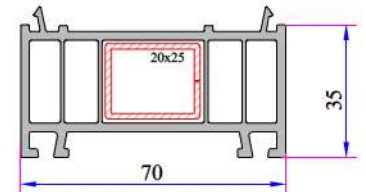
**Frame Montage Profile
060.5301**



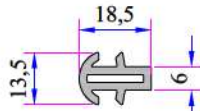
**100mm Frame Lifting Profile
070.5302**



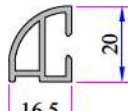
**Narrow Coupling Profile
070.5001**



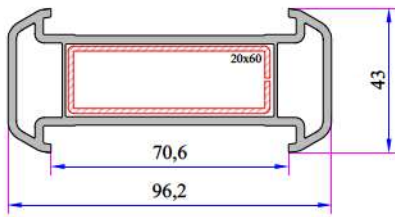
**35mm Frame Lifting Profile
070.5300**



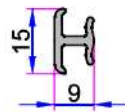
**Short Coupling Profile
099.5003**



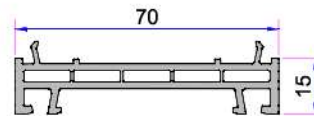
**Offset Profile
900.6307**



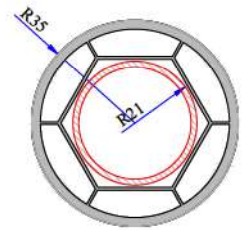
**Large Coupling Profile
070.5000**



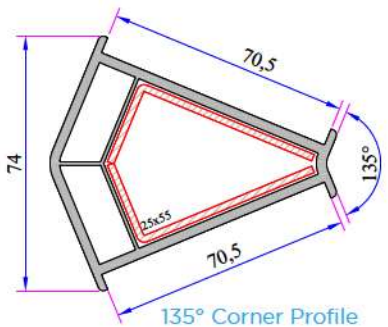
**Universal Short Coupling Profile
099.5004**



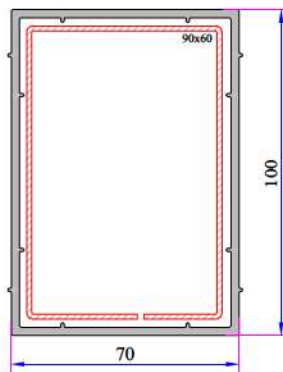
**Frame Lifting Profile 15 mm
070.5304**



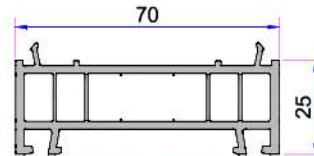
**Pipe Profile
070.5106**



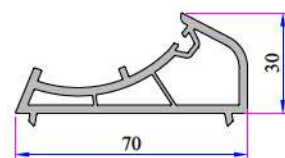
**135° Corner Profile
070.5102**



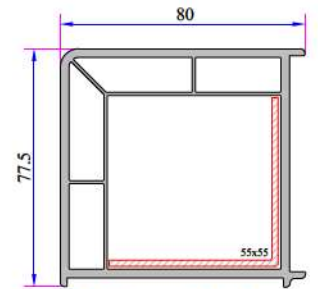
**70x100 mm Box Profile
070.5202**



**Frame Lifting Profile 25 mm
070.5306**

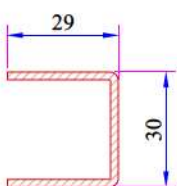


**Angle Pipe Adaptor
Profile
070.5104**

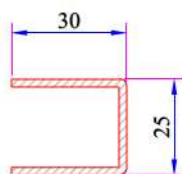


**90° Corner Profile
070.5100**

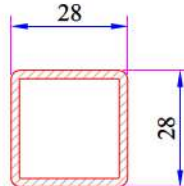
W 777 Re-Inforcement Profiles



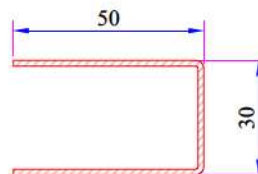
**Frame - Sash - Mullion
Reinforcement
34022-12002**



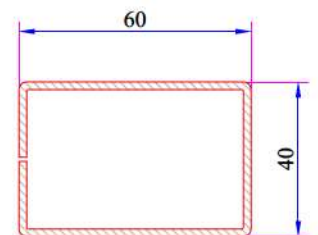
**Mullion For Door Profile
Reinforcement
34022-12004**



**Lap Joint Profile
Reinforcement
34022-12113**

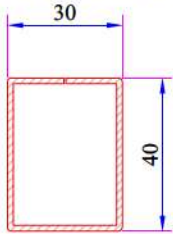


**Door Sash - Outward
Opening Door Sash
Reinforcement
34022-12013**

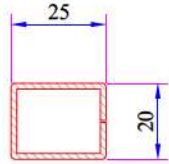


**Super Door Sash - Super
Outward Opening Door
Sash Reinforcement
34022-12110**

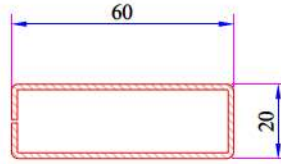
W 777 MD & AD SERIES PVC PROFILE SYSTEM



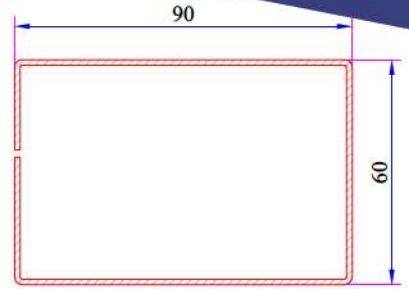
100mm Frame Lifting
Profile Reinforcement
34022-12120



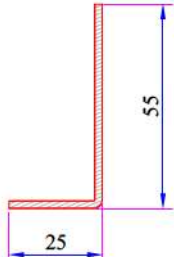
35mm Frame Lifting
Profile Reinforcement
34022-12104



Large Coupling Profile
Reinforcement
34022-12106



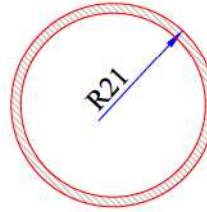
70x100mm Box Profile
Reinforcement
34022-12121



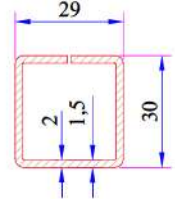
135° Corner Profile Reinforcement
34022-12303



90° Corner Profile Reinforcement
34022-12305

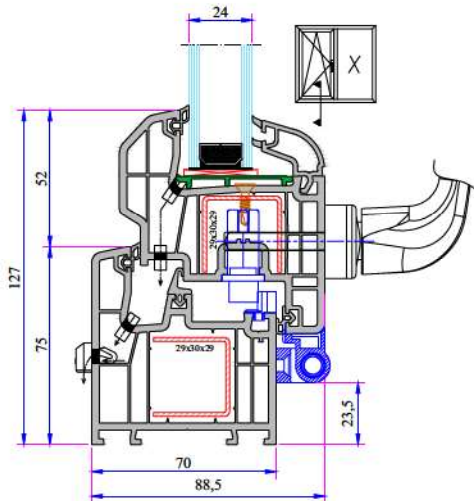


Pipe Profile Reinforcement
34022-12502

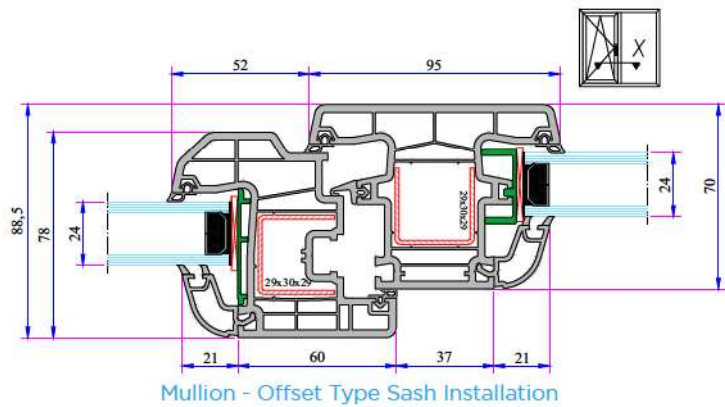


Mullion Profile Static
Reinforcement
34022-15129

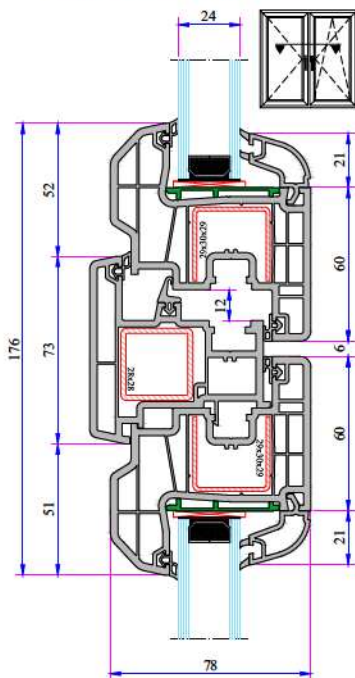
W 777 Installation



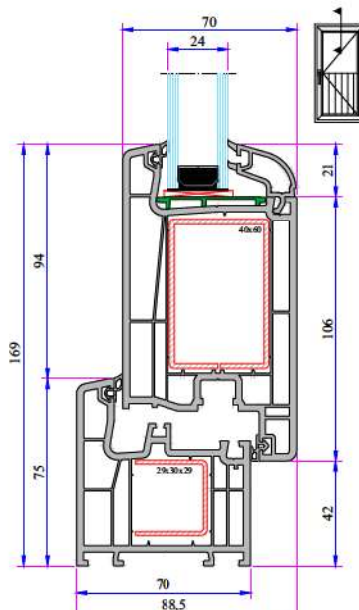
Frame - Offset Type Sash Installation



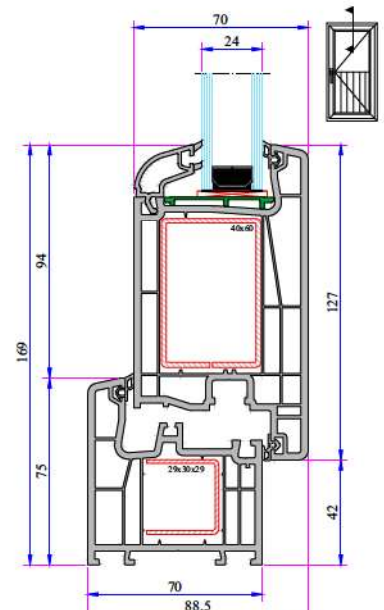
Mullion - Offset Type Sash Installation



Sash Lap Joint And Sash
Installation

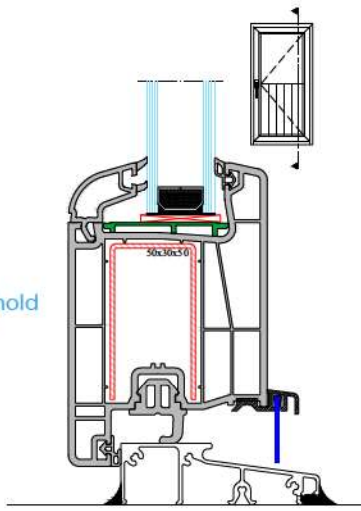


Frame - Super Door Sash
Installation

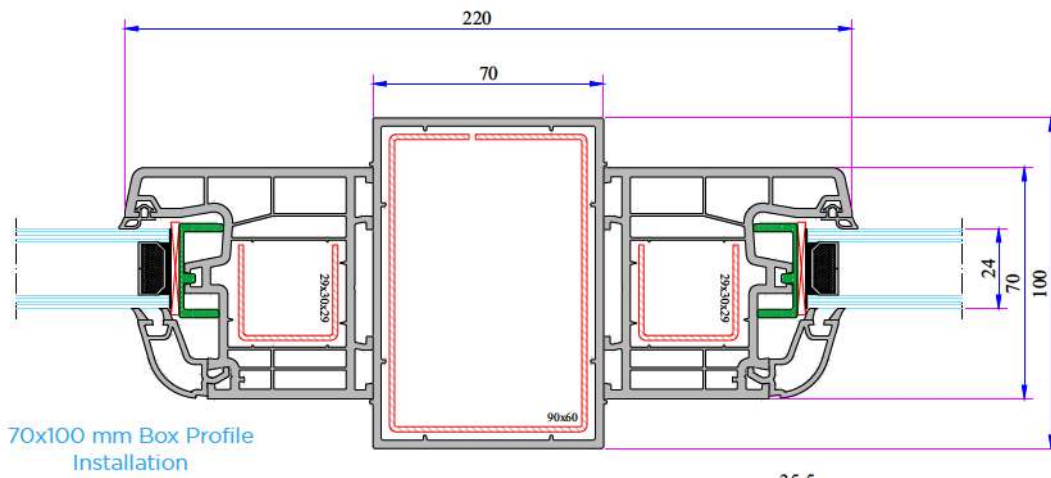
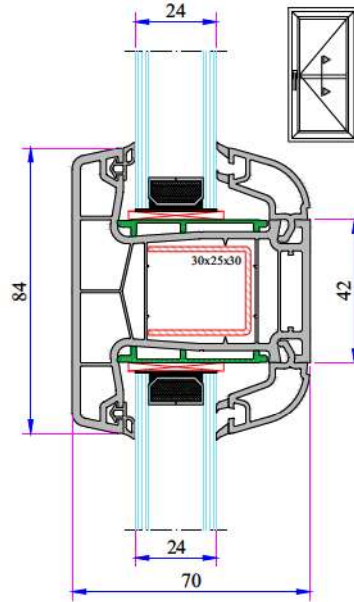


Frame - Super Outward Opening
Door Sash Installation

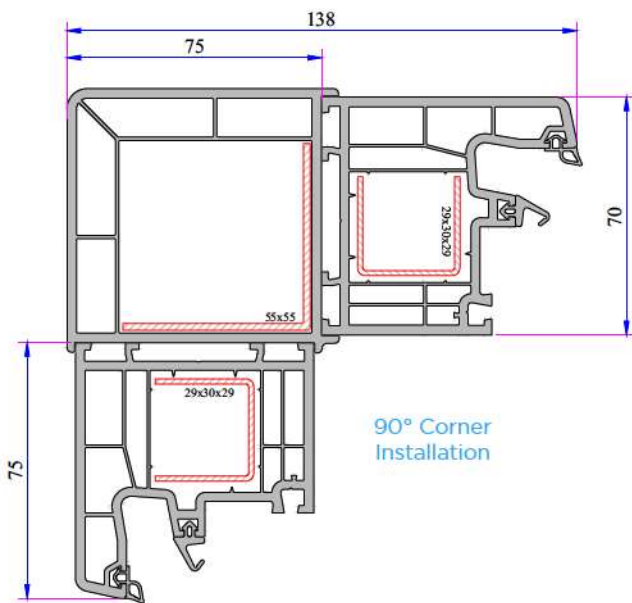
With Aluminium Threshold
Frame Door Sash
Installation



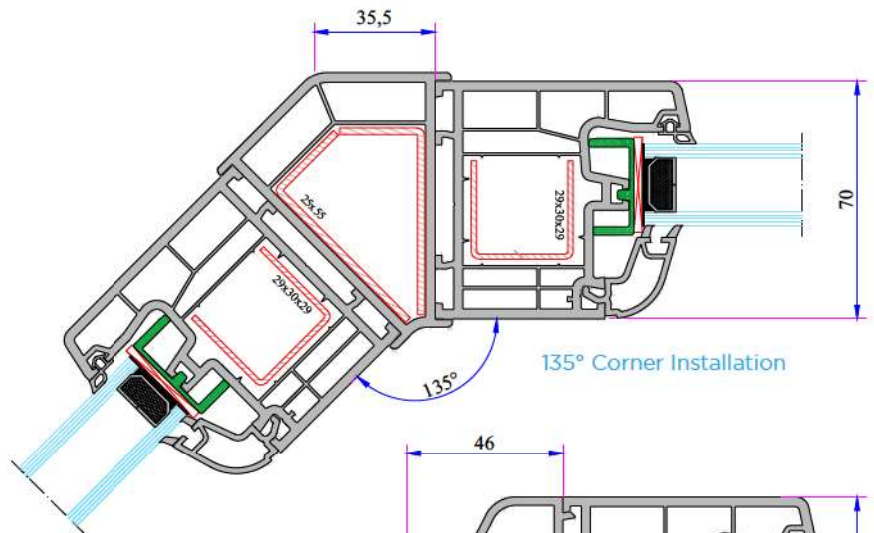
Door Sash Mullion
Installation



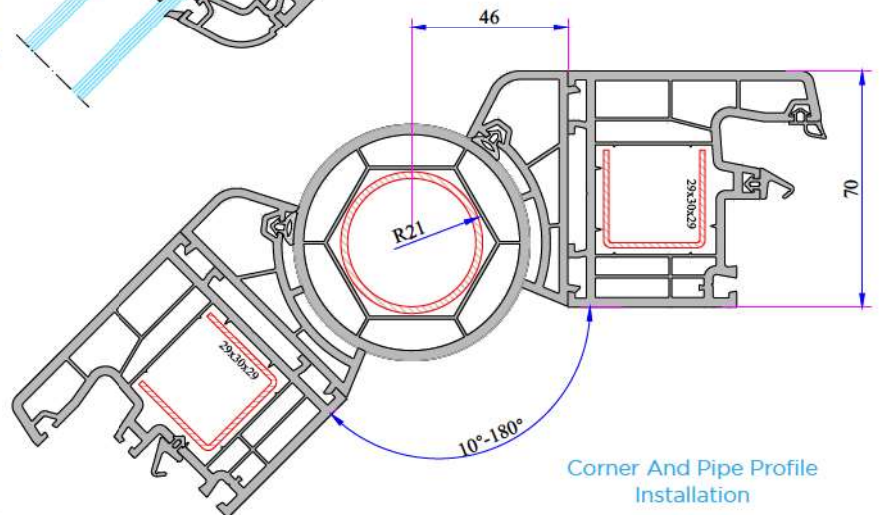
70x100 mm Box Profile
Installation



90° Corner
Installation

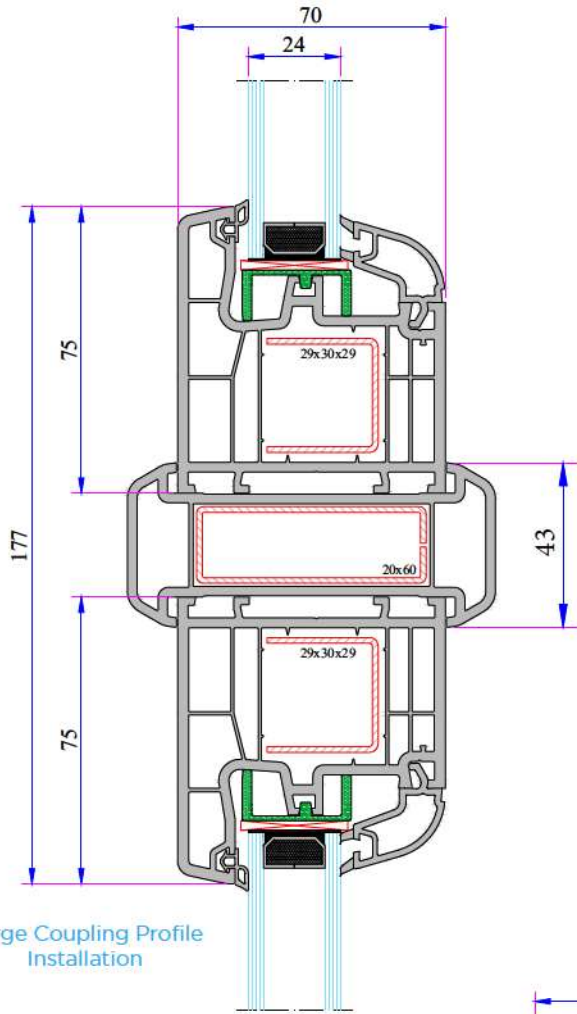


135° Corner Installation

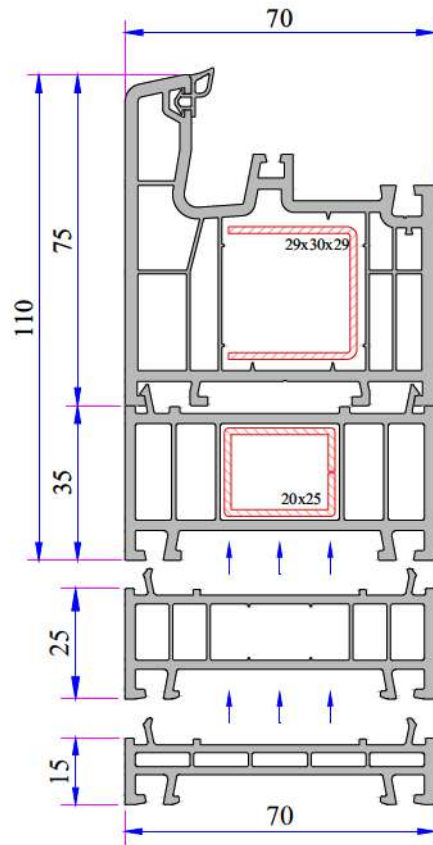


Corner And Pipe Profile
Installation

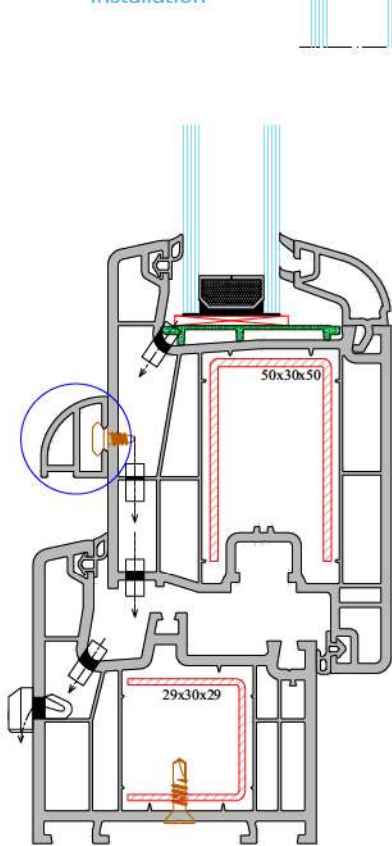
**W 777 MD & AD SERIES
PVC PROFILE SYSTEM**



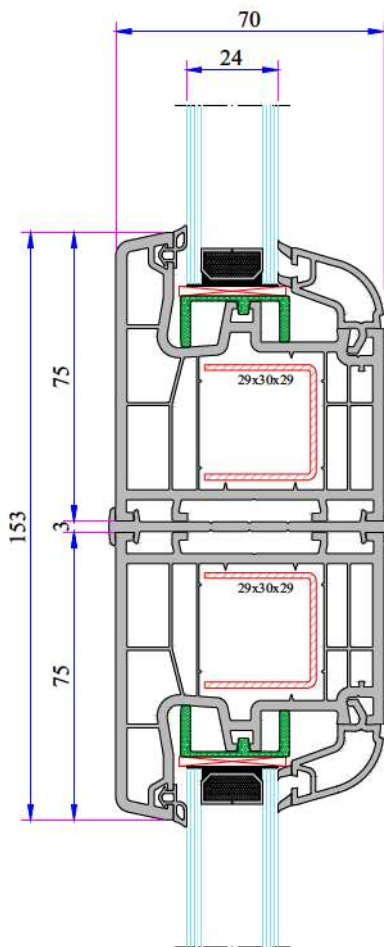
Large Coupling Profile Installation



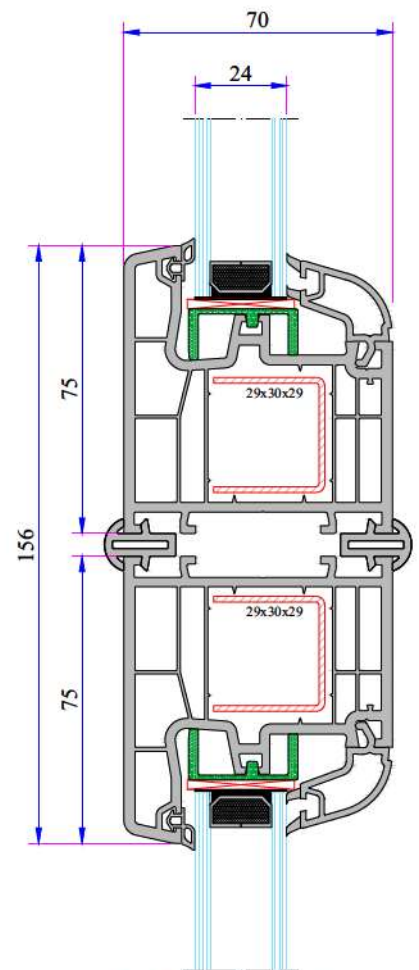
35 mm Frame Lifting Profile



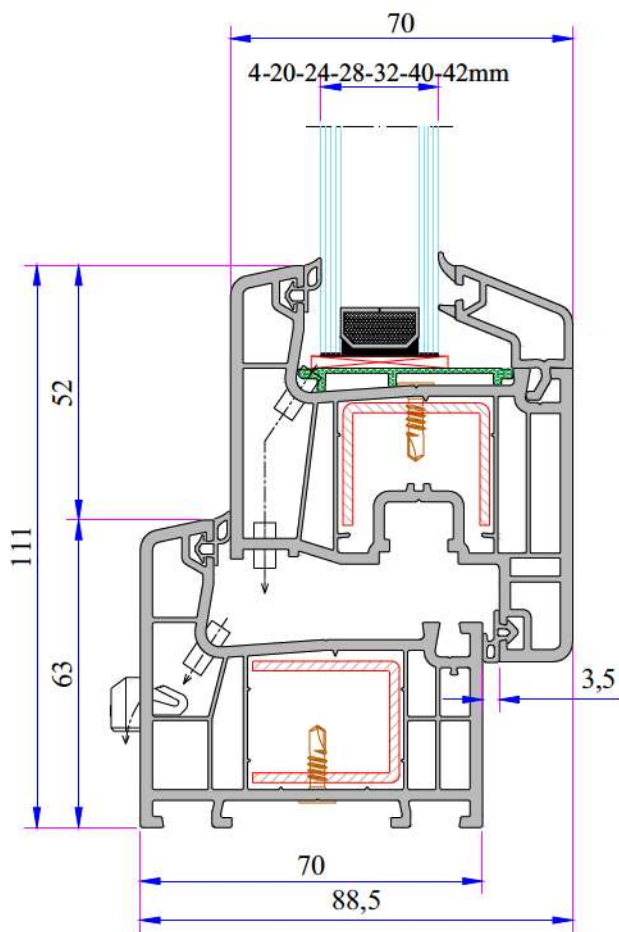
Offset Profile Installation



Narrow Coupling Profile Installation



Short Coupling Profile Installation



TECHNICAL

W 750 - 752 SERIES

Profile Width: 70 mm

Number of chambers: 5

Profile Class: W 752 A Class (TS EN 12608-1) / RAL 716-GZ

W 750 B Class (TS EN 12608-1)

Seal Type: External / Internal double seal system

Seal Type and Color: TPE - Grey /Black

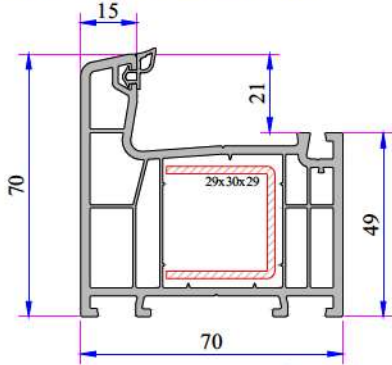
Glass Thickness (mm): 4, 20, 24, 28, 32, 40, 42 mm

The thermal insulation Uf: 1,30 W/m²K

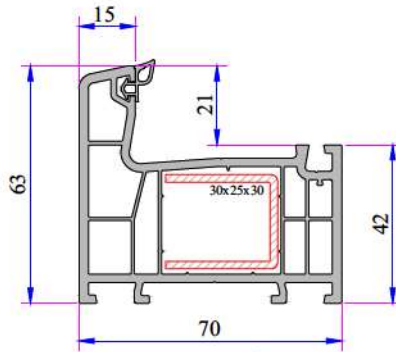
INSTRUCTION

- The main profiles have 70 mm width.
- Because of the elastic grey and black seal which does not leave any stain on profiles will be provided maximum air, water, dust and sound isolation.
- Due to the 5 chambers profiles, it has maximum performance for thermal, sound and water isolation.
- It is a series of profiles with very special design that provides maximum wind resistance on high rise buildings.
- Excluding normal sash profile, there is also chance to have a choice for offset type sash profile.
- In addition to white profile a different laminated color range is available.
- 4-5 mm single glazing application of 20, 24, 28, 32, 40, 42 mm glazing beads give us alternatives of using double, triple glazing and panels.
- It provides the visual integrity in the inner surface and the frame-wall connections due to integrated frame with sill profile.

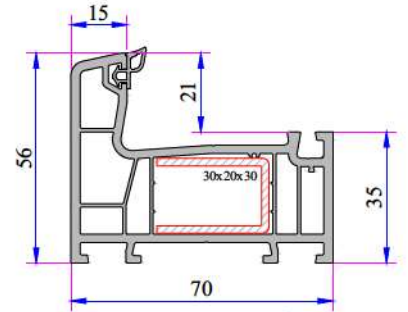
**W 750 - W 752 SERIES
PVC PROFILE SYSTEM**



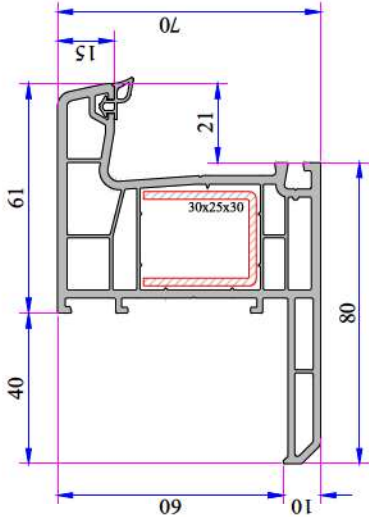
Super Frame Profile
752.1001 (A Class)
750.1001 (B Class)



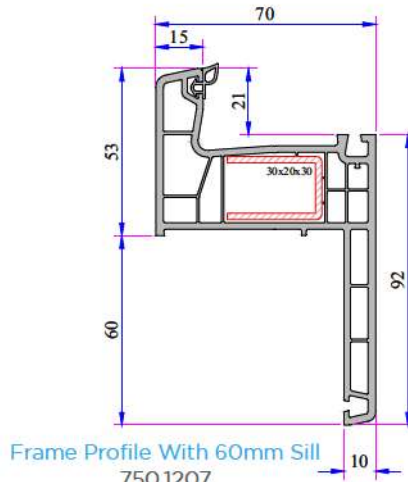
Frame Profile
752.1000 (A Class)
750.1000 (B Class)



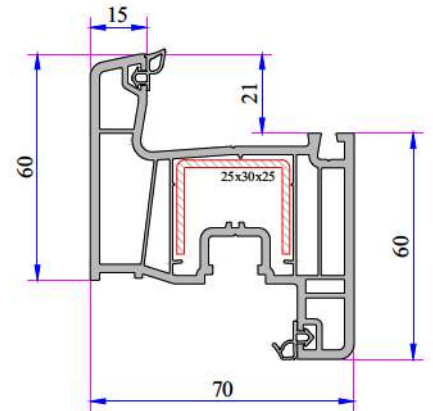
Eco Frame Profile
750.1003



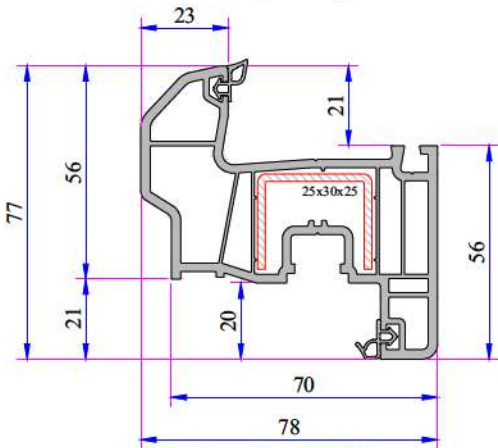
Frame Profile With Sill
752.1200 (A Class)
750.1200 (B Class)



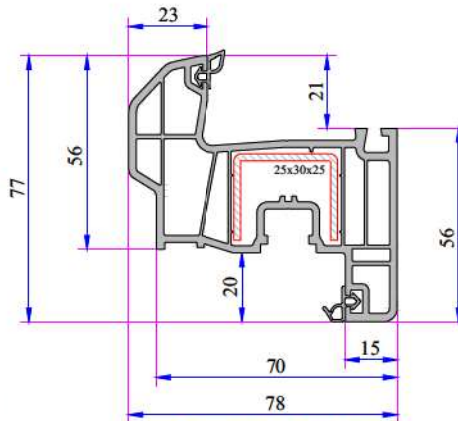
Frame Profile With 60mm Sill
750.1207



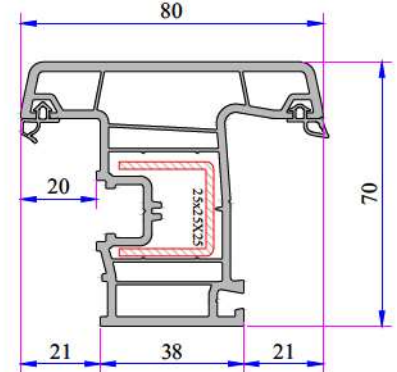
Sash Profile
752.2000 (A Class)
750.2000 (B Class)



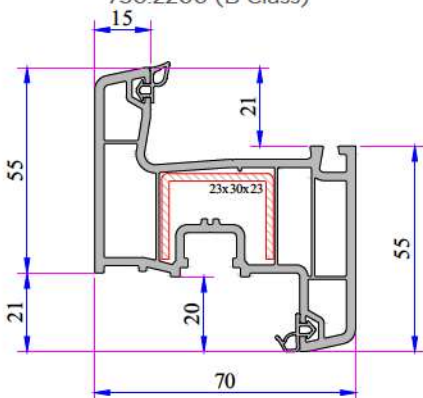
Offset Type Sash Profile
752.2200 (A Class)
750.2200 (B Class)



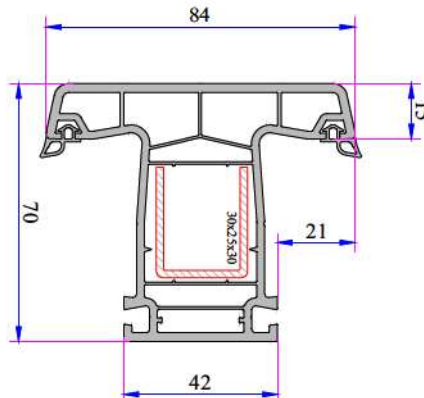
**Offset Type Sash Profile
(6 Chambers)**
750.2205



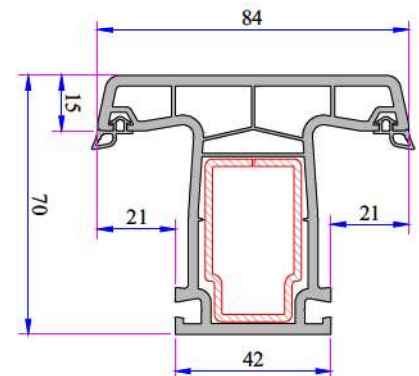
Outward Opening Sash Profile
750.2001



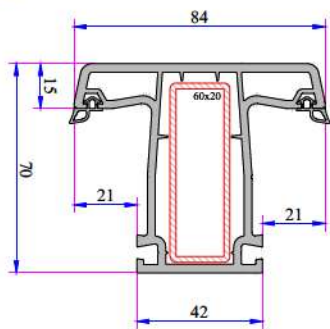
24 Axis Sash Profile
750.2003



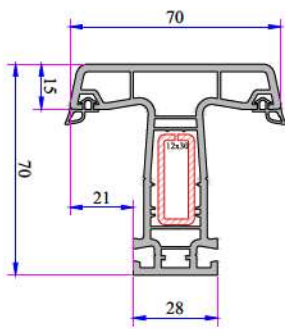
Mullion Profile
752.3000 (A Class)
750.3000 (B Class)



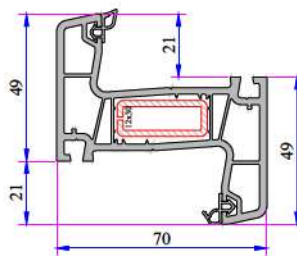
Static Mullion Profile
750.3007



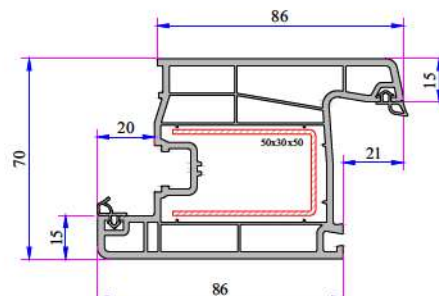
Super Static Mullion Profile
750.3009



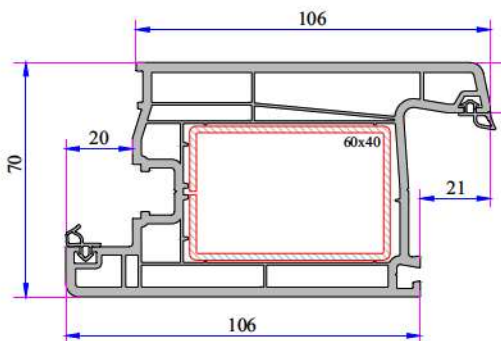
Eco Mullion Profile
750.3006



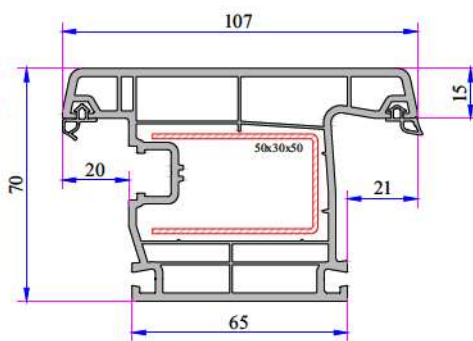
Outward Opening Mullion Profile
750.3005



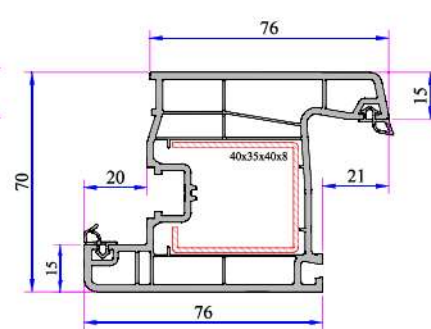
Door Sash Profile
752.2100 (A Class)
750.2100 (B Class)



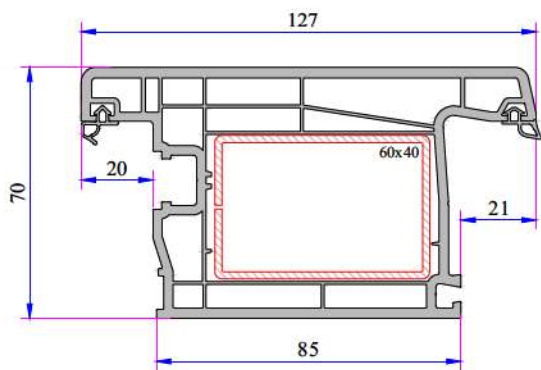
Super Door Sash Profile
750.2103



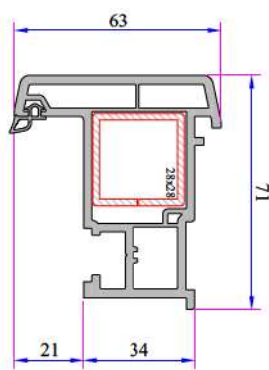
Outward Opening Door Sash Profile
750.2101



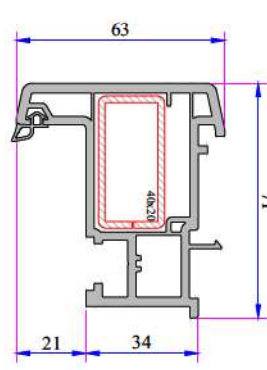
Narrow Door Sash Profile
750.2111



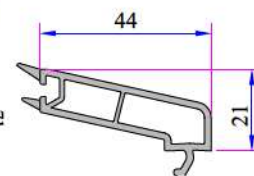
Outward Opening Super Door Sash Profile
752.2104



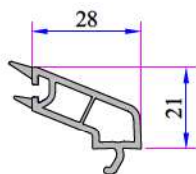
Lap Joint Profile
750.3100



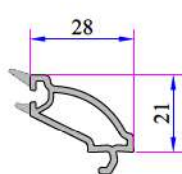
Static Lap Joint Profile (Spiked)
750.3101 (A Class)



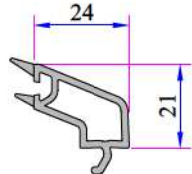
Single Glazing Bead 4-6 mm
750.4000



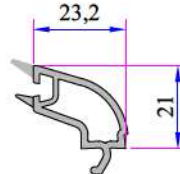
Double Glazing Bead 20 mm
750.4100



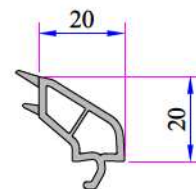
Decorative Double Glazing Bead 20 mm
750.4102



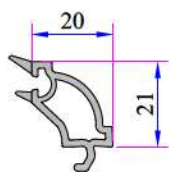
Double Glazing Bead 24 mm
750.4200



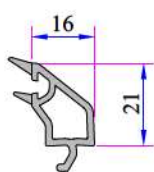
Decorative Double Glazing Bead 24 mm
750.4204



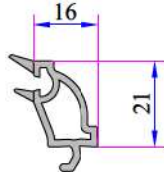
Double Glazing Bead 28 mm
101.4100



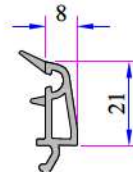
Decorative Double Glazing Bead 28 mm
101.4102



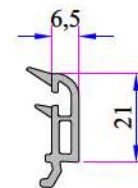
Triple Glazing Bead 32 mm
750.4500



Decorative Triple Glazing Bead 32 mm
101.4202

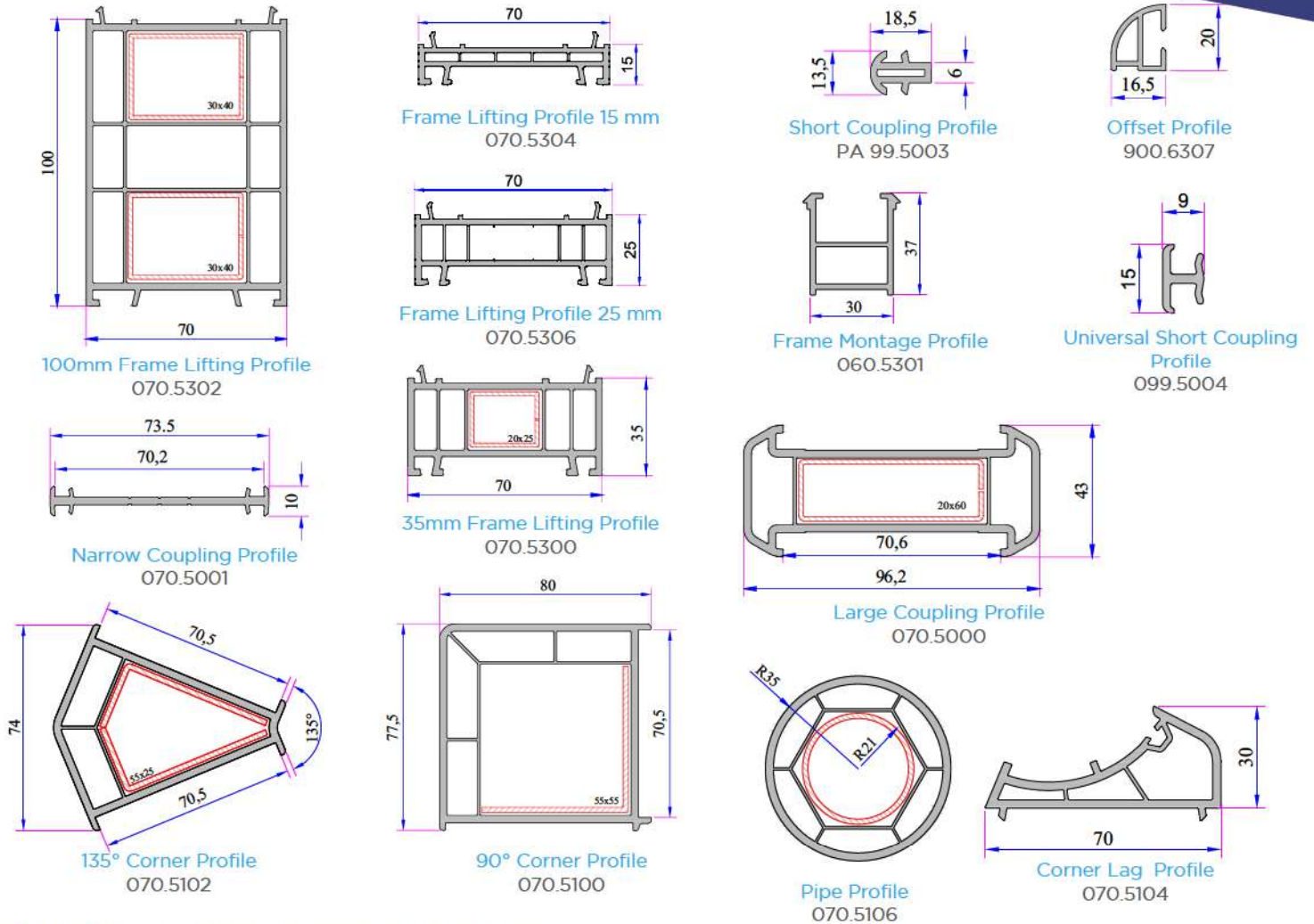


Triple Glazing Bead 40 mm
101.4500

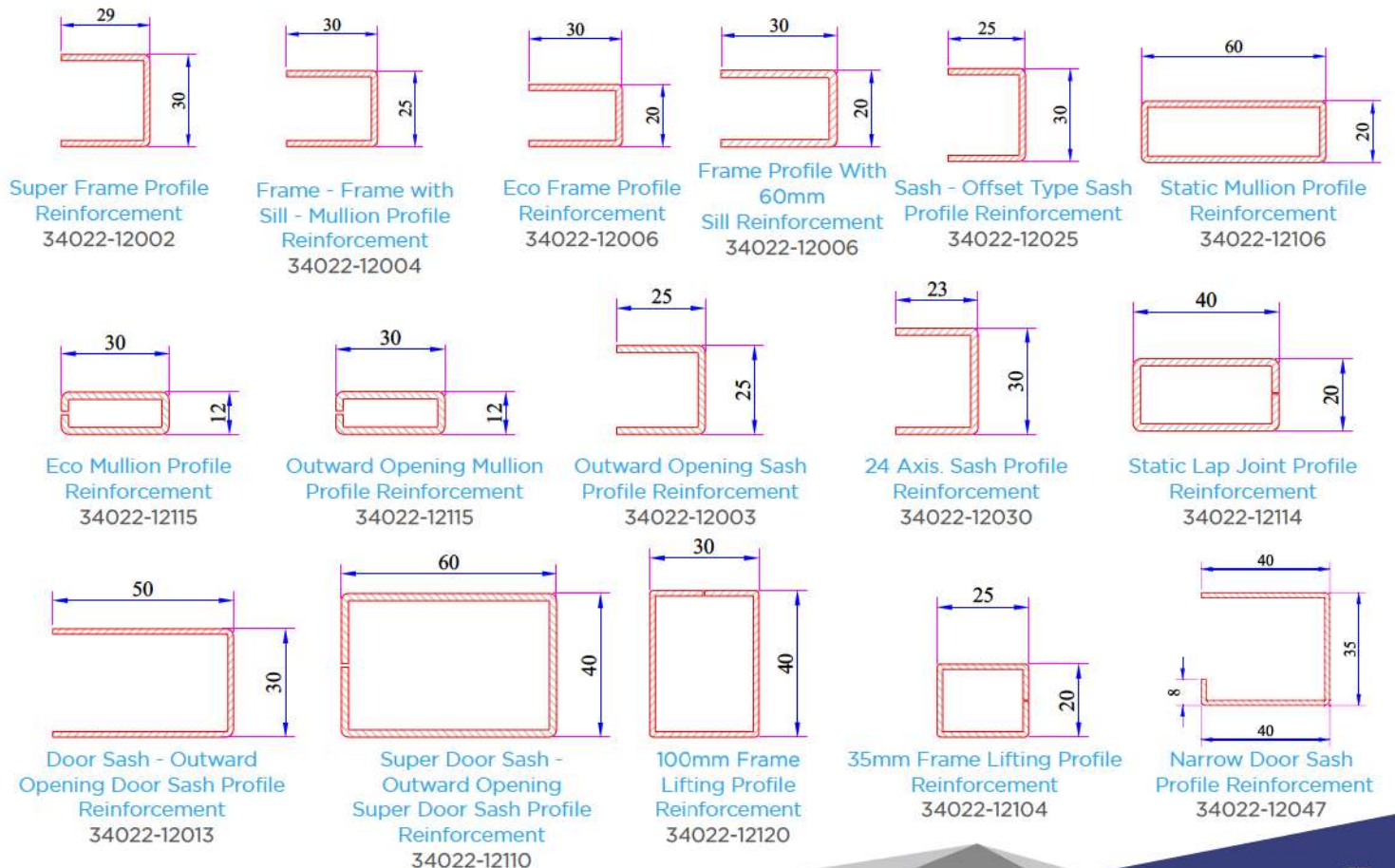


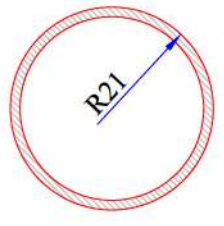
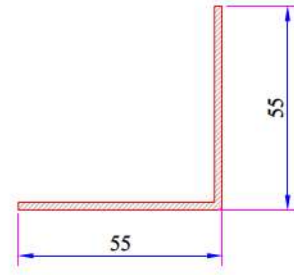
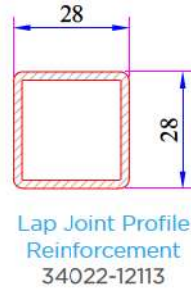
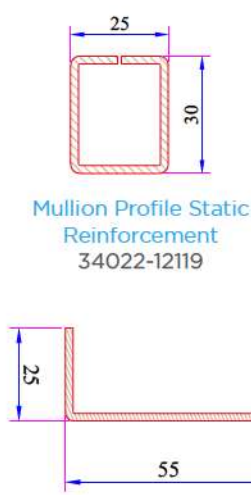
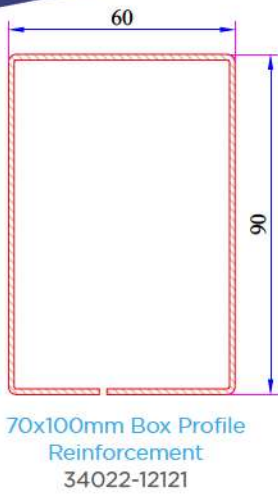
Triple Glazing Bead 42 mm
532.4500

W 750 - W 752 SERIES PVC PROFILE SYSTEM

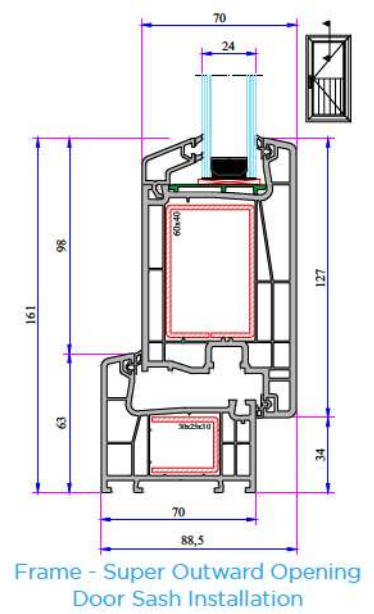
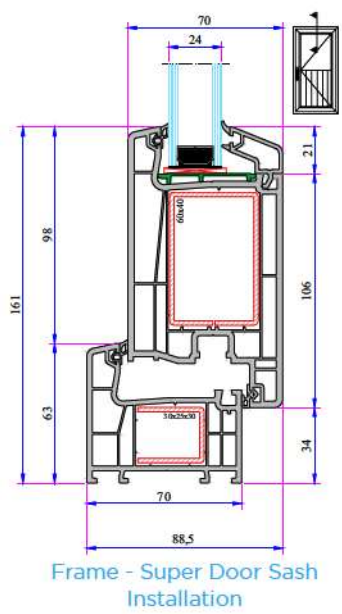
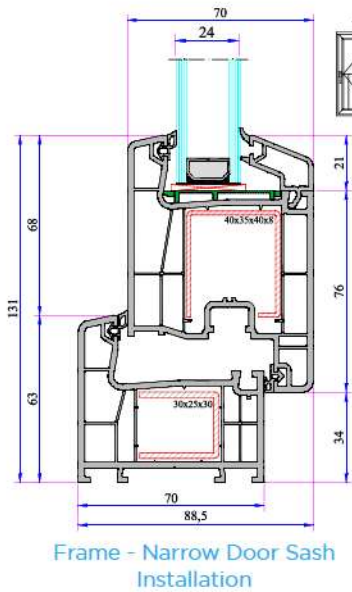
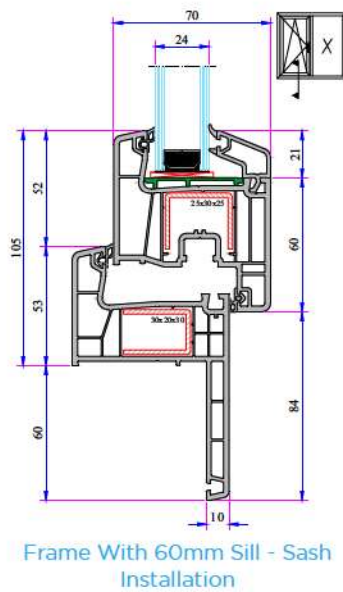
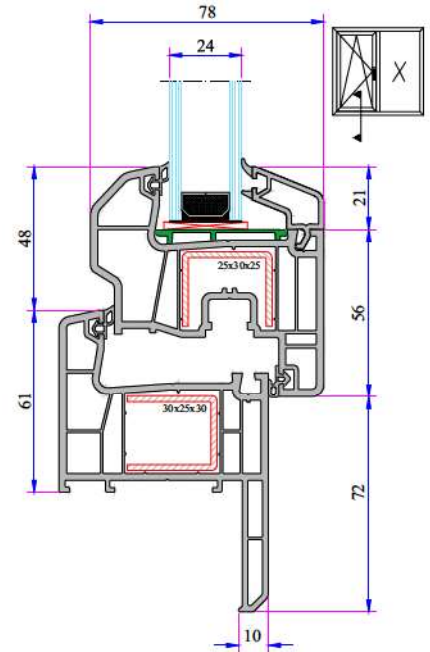
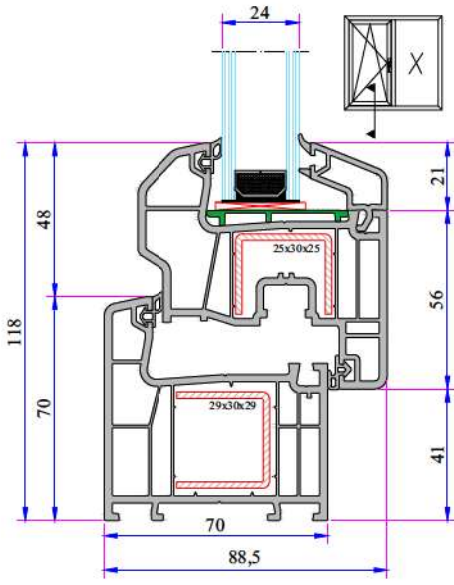
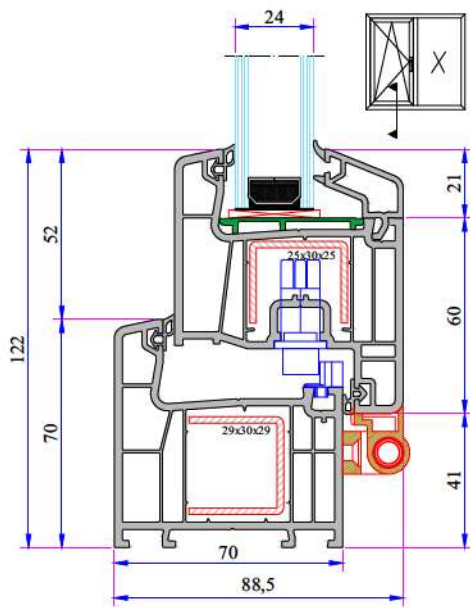


W 750 - 752 Re-Inforcement Profiles

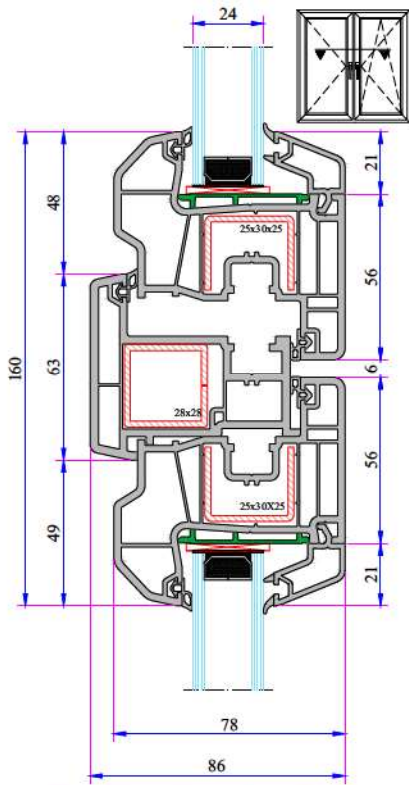




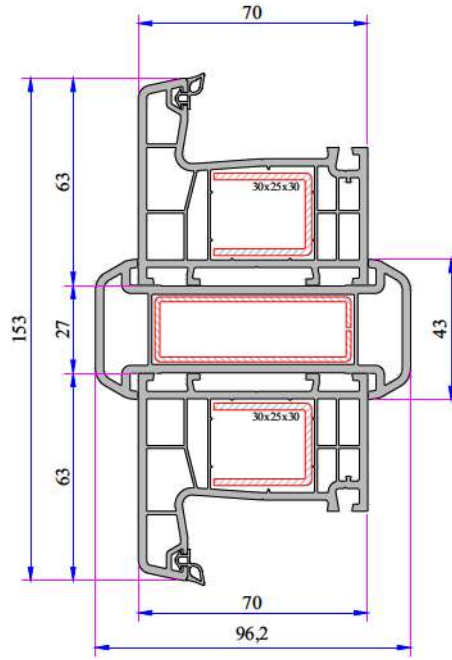
W 750 - 752 Installation



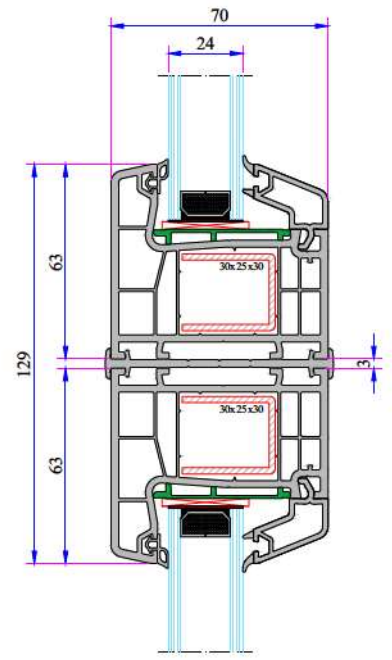
**W 750 - W 752 SERIES
PVC PROFILE SYSTEM**



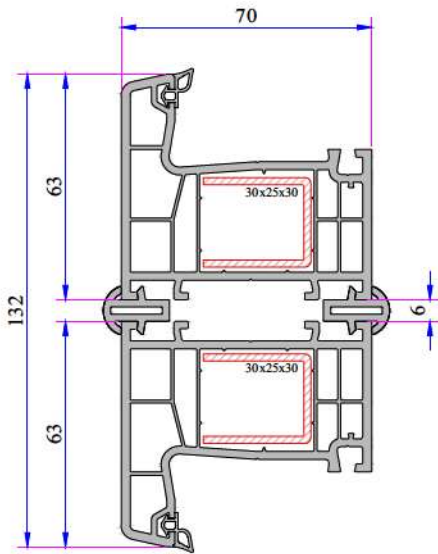
Sash - Lap Joint - Sash Profile Installation



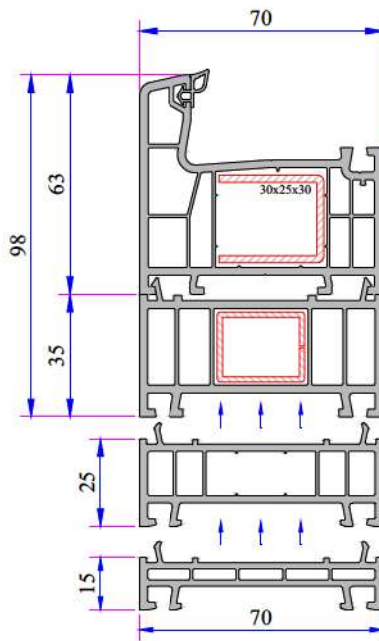
Large Coupling Profile Installation



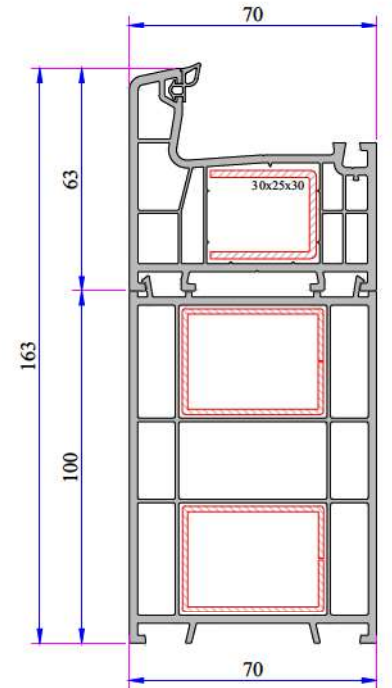
Narrow Coupling Profile Installation



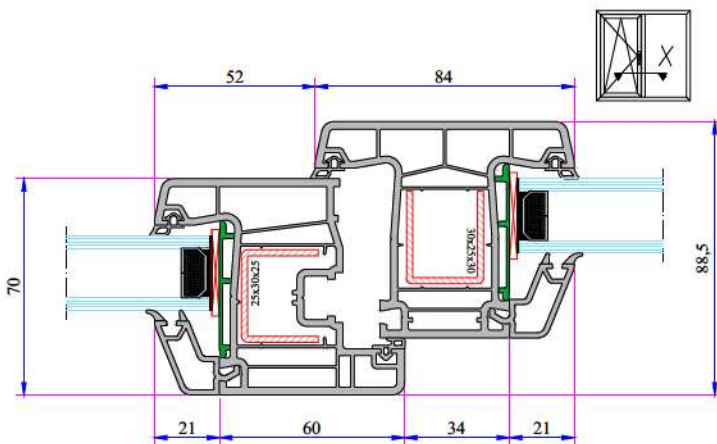
Short Coupling Profile Installation



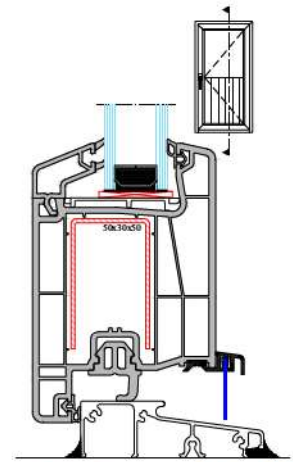
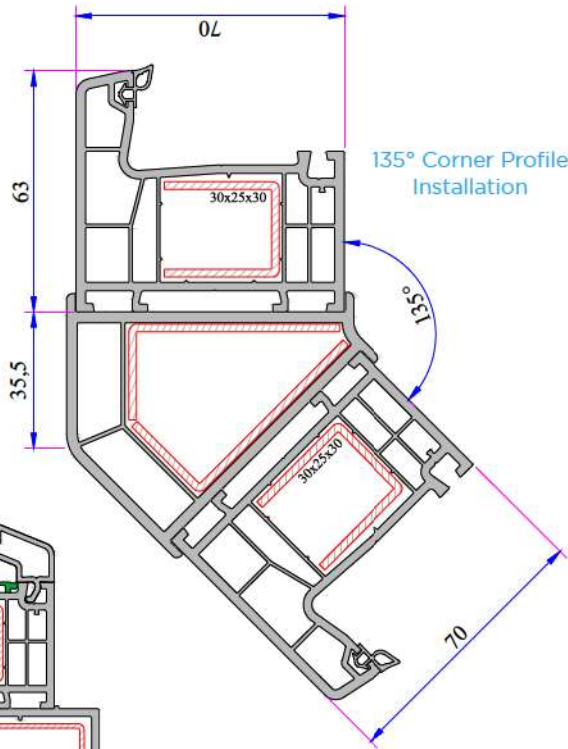
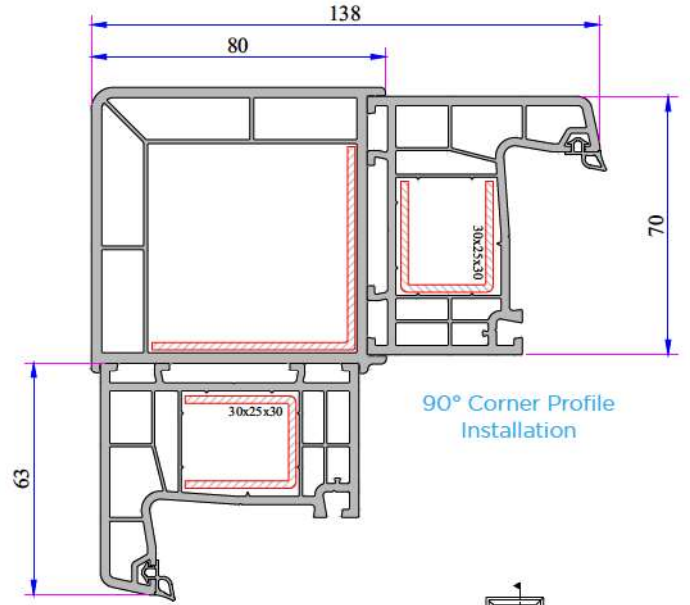
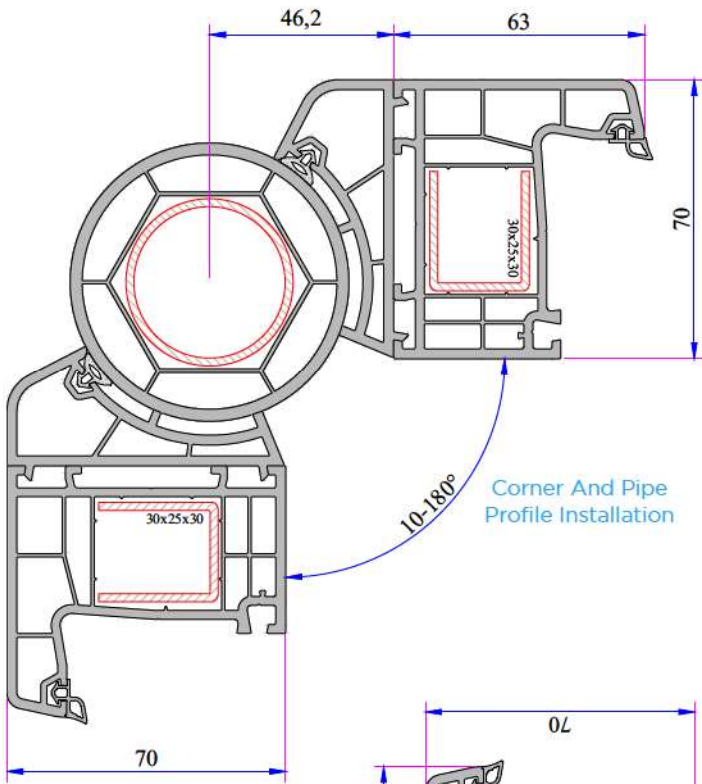
35mm Frame Lifting Profile Installation



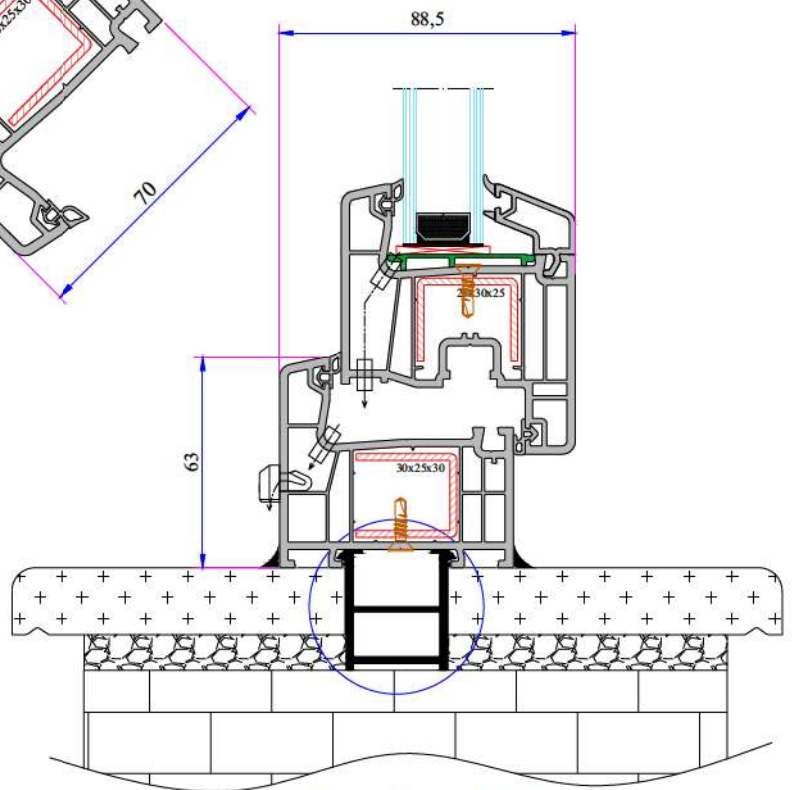
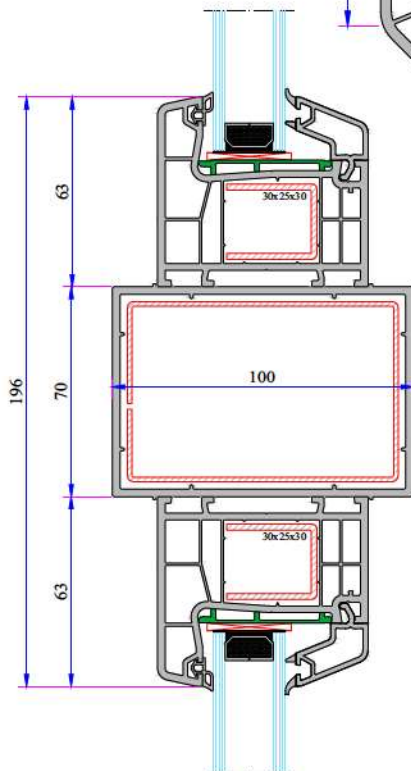
100mm Frame Lifting Profile Installation



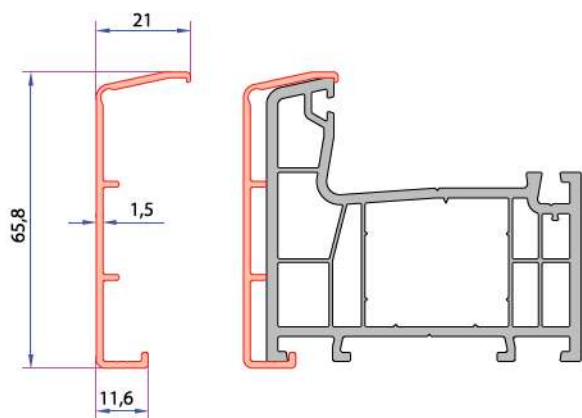
Mullion - Sash Installation



With Aluminium Threshold
Frame Door Sash Installation

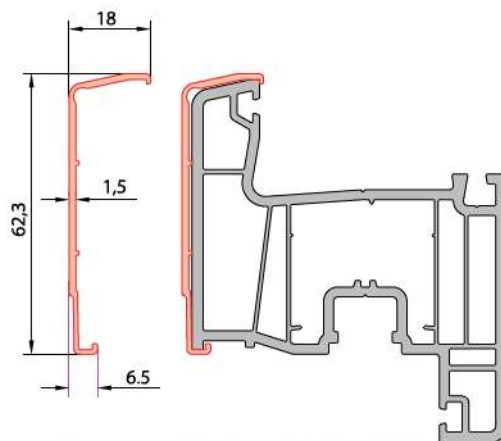


W 750 - W 752 SERIES
PVC PROFILE SYSTEM



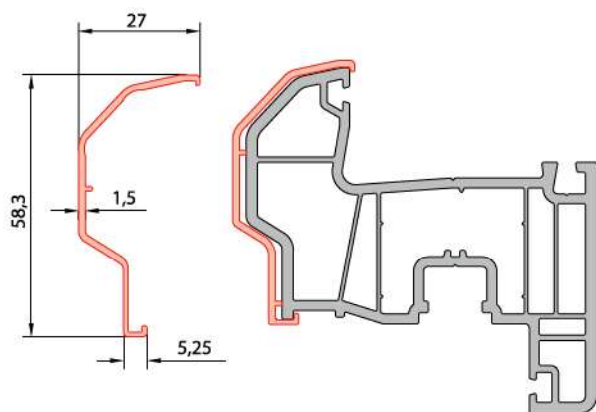
Aluminium Cladding Profile With Frame

34025 - 28010 (Alm. Color)
 34025 - 29015 (Bronze)



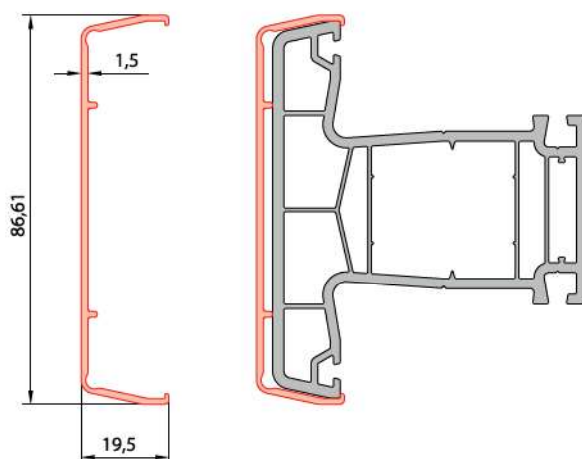
Aluminium Cladding Profile With Sash

34025 - 28030 (Alm. Color)
 34025 - 29035 (Bronze)



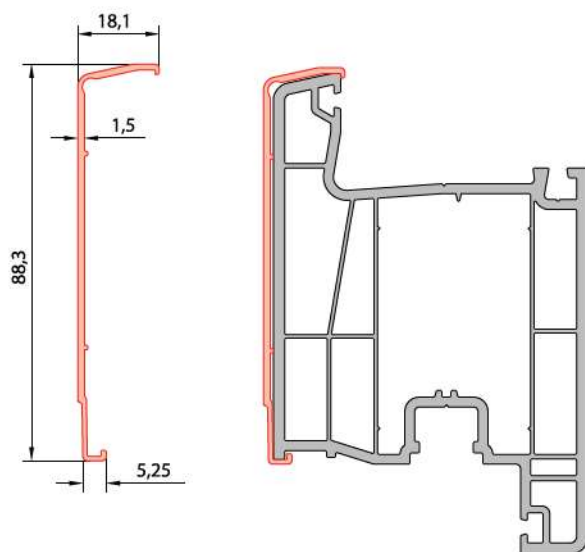
Aluminium Cladding Profile With Offset Sash

34025 - 28040 (Alm. Color)
 34025 - 29045 (Bronze)



Aluminium Cladding Profile With Mullion

34025 - 28050 (Alm. Color)
 34025 - 29055 (Bronze)



Aluminium Cladding Profile With Door Sash

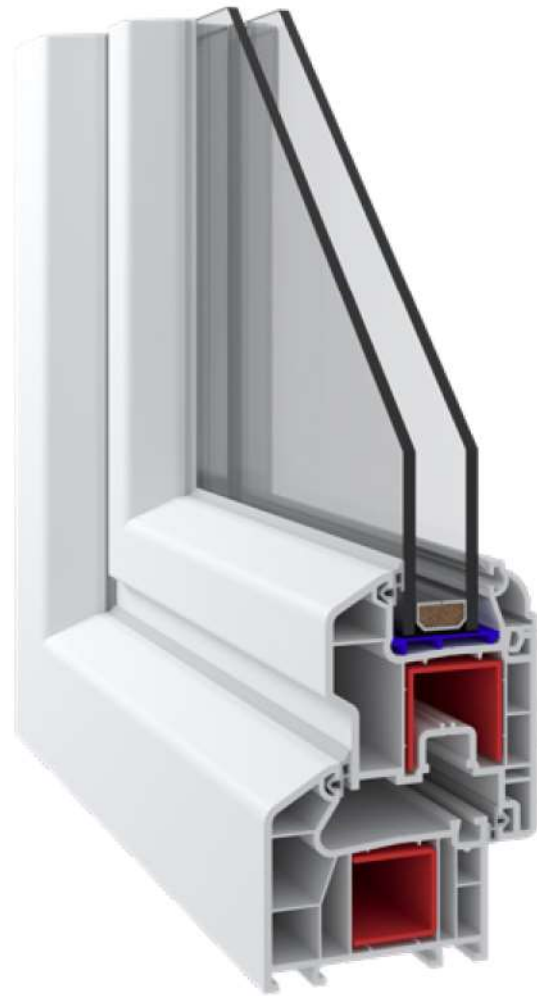
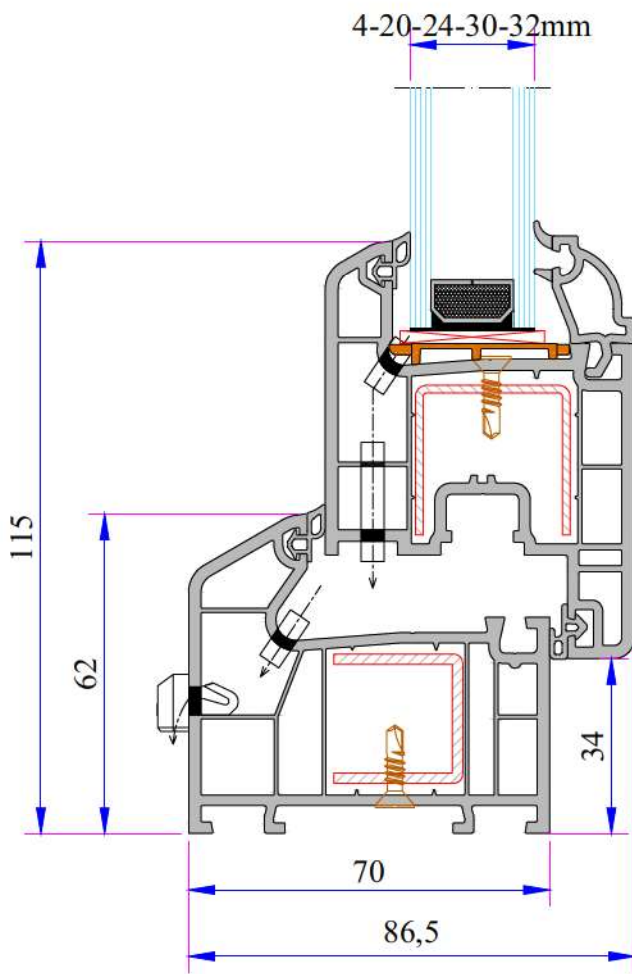
34025 - 28060 (Alm. Color)
 34025 - 29065 (Bronze)



Aluminium Color



Bronze Color



TECHNICAL

W 760 SERIES

Profile Width: 70 mm

Number of chambers: 5

Profile Class: B Class (TS EN 12608-1)

Seal Type: External / Internal double seal system

Seal Type and Color: TPE - Grey /Black

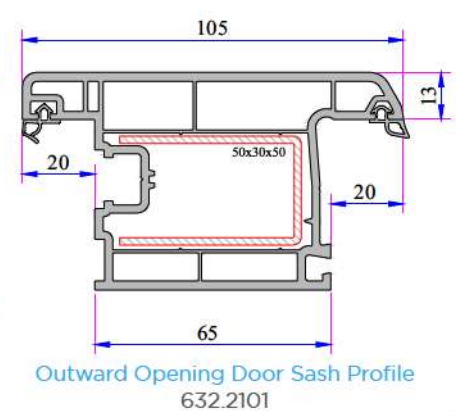
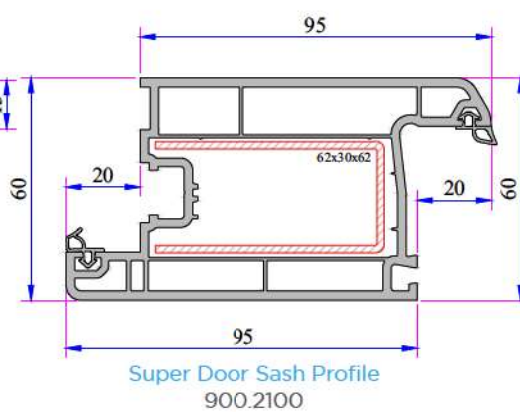
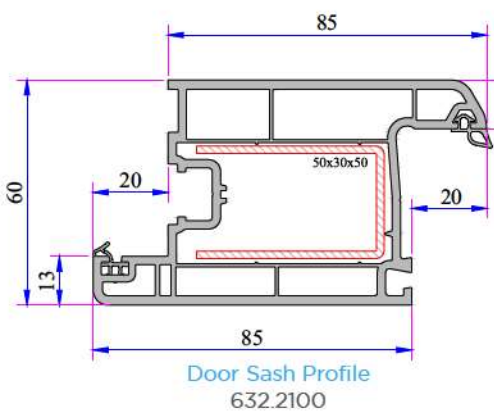
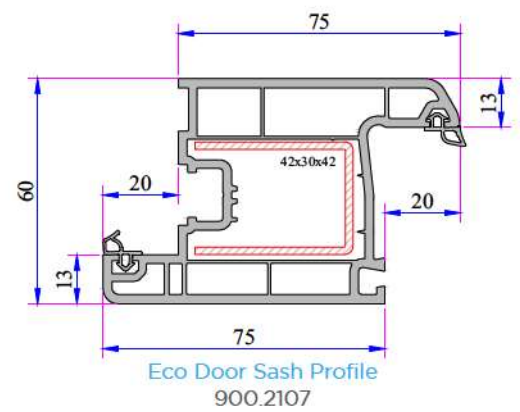
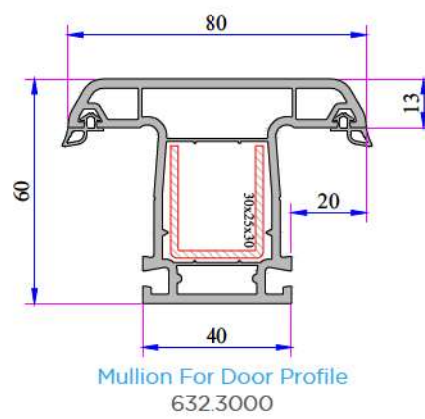
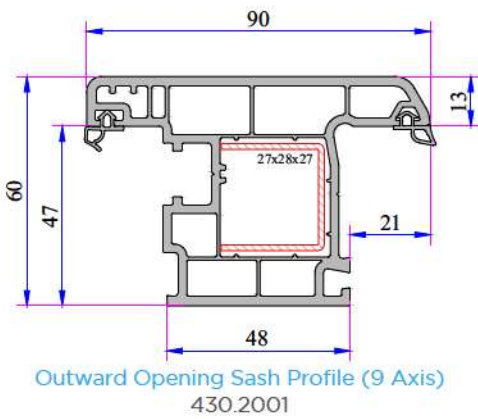
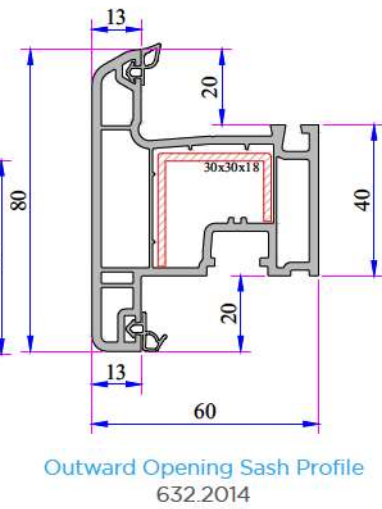
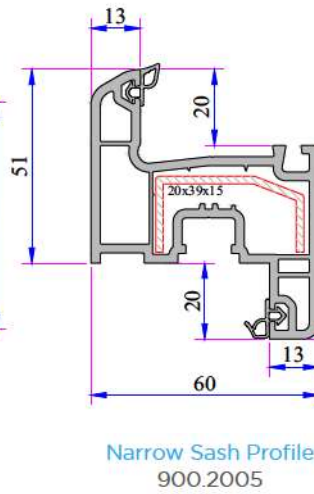
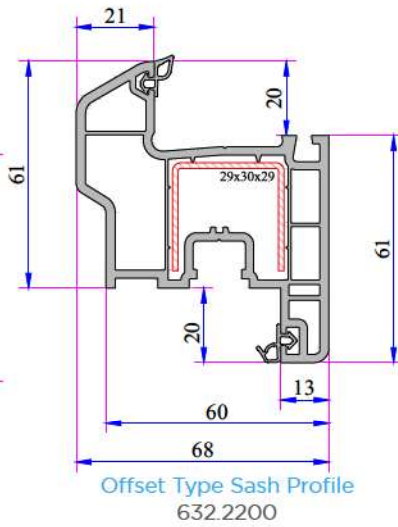
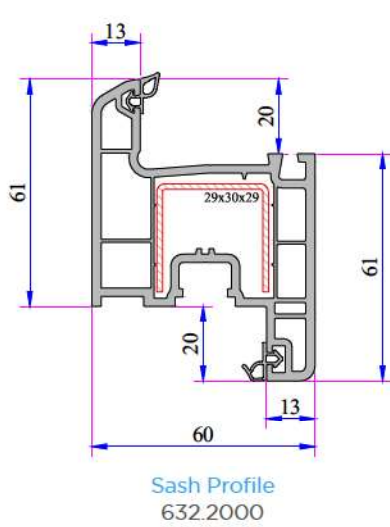
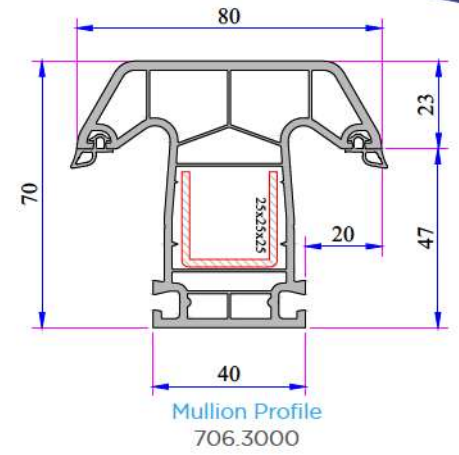
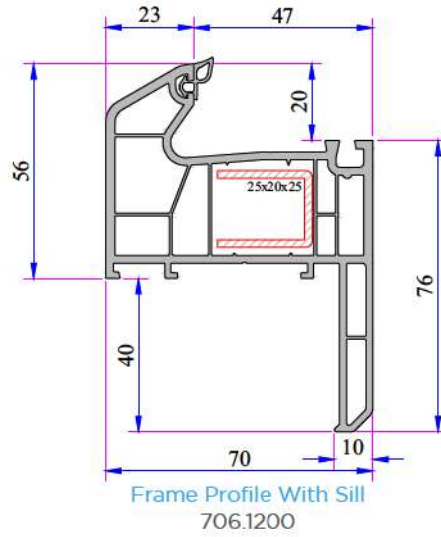
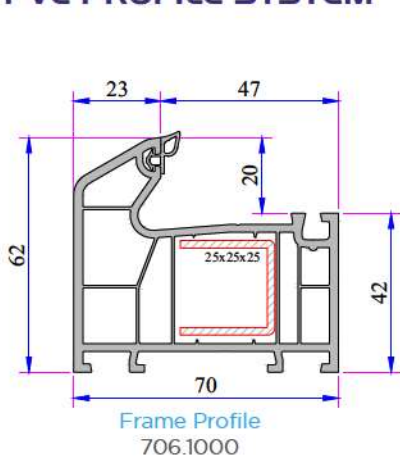
Glass Thickness (mm): 4, 20, 24, 30, 32 mm

The thermal insulation Uf: 1,45 W/m²K

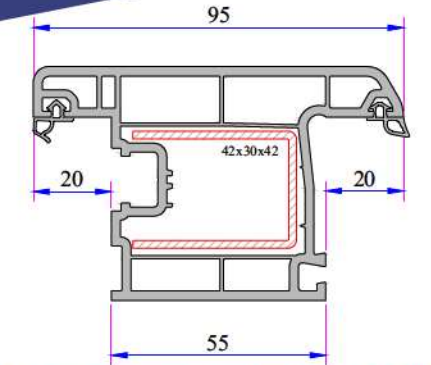
INSTRUCTION

- The main profiles have 70 mm width.
- Because of the elastic grey and black seal which does not leave any stain on profiles will be provided maximum air, water, dust and sound isolation.
- Due to the 5 chambers profiles, it has maximum performance for thermal, sound and water isolation.
- It is a series of profiles with very special design that provides maximum wind resistance on high rise buildings.
- In addition to white profile a different laminated color range is available.
- 4-5 mm single glazing application of 20, 24, 28, 30, 32 mm glazing beads give us alternatives of using double, triple glazing and panels.

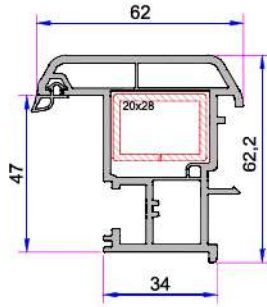
W 760 SERIES PVC PROFILE SYSTEM



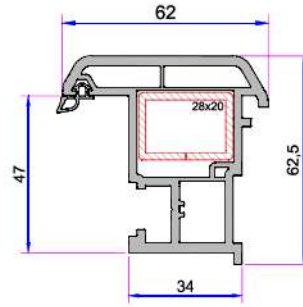
W 760 SERIES PVC PROFILE SYSTEM



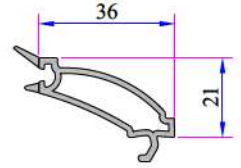
Outward Opening Eco Door Sash Profile
632.2108



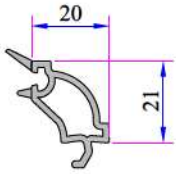
Lap Joint Profile
632.3104



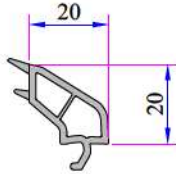
Lap Joint Profile
632.3100



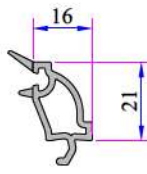
Single Glazing Bead 4-6mm
101.4002



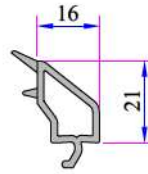
Double Glazing Bead 20mm
101.4102



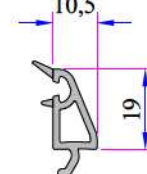
Single Glazing Bead 20mm
101.4100



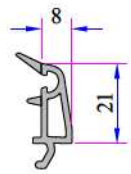
Double Glazing Bead 24mm
101.4202



Double Glazing Bead 24mm
750.4500

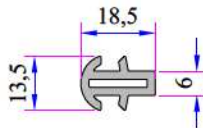


Triple Glazing Bead 30mm
332.4100

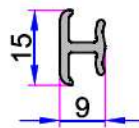


Triple Glazing Bead 32mm
101.4500

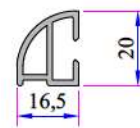
** 760 series Frame and Mullion Profile Glazing Bead dimensions is different. For frame and Mullion Profile Glass size check page 170.



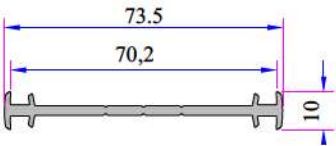
Short Coupling Profile
099.5003



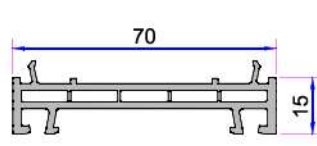
Universal Short Coupling Profile
099.5004



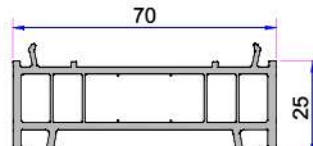
Offset Coupling Profile
900.6307



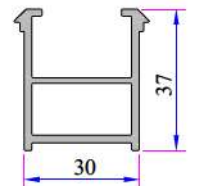
Narrow Coupling Profile
070.5001



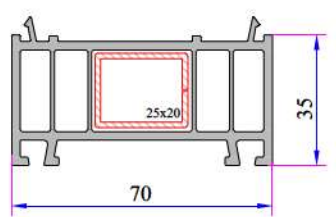
Frame Lifting Profile 15 mm
070.5304



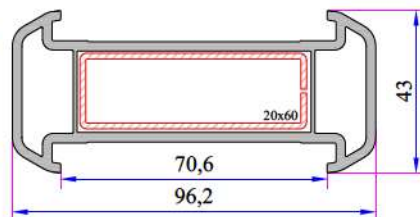
Frame Lifting Profile 25 mm
070.5306



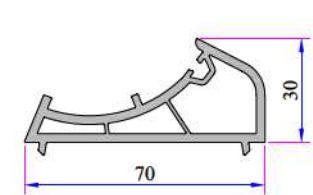
Frame Montage Profile
060.5301



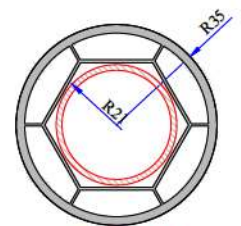
35mm Frame Lifting Profile
070.5300



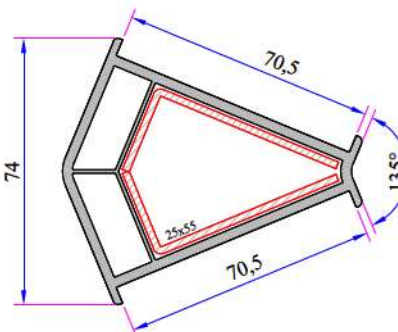
Large Coupling Profile
070.5000



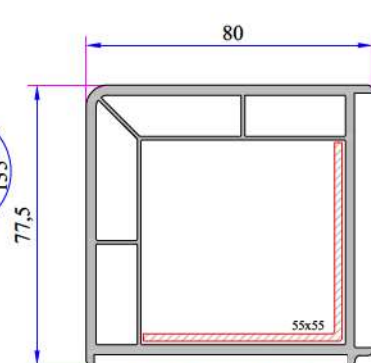
Angle Pipe Adaptor Profile
070.5104



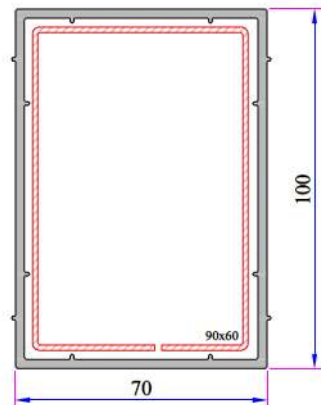
Pipe Profile
070.5106



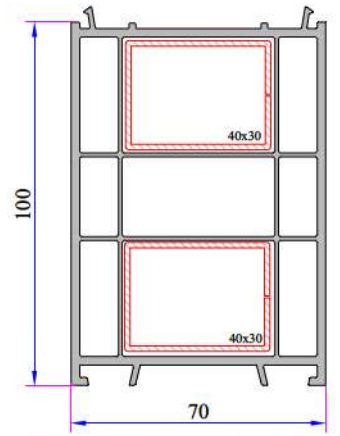
135° Corner Profile
070.5102



90° Corner Profile
070.5100



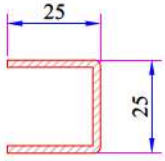
70x100mm Box Profile
070.5202



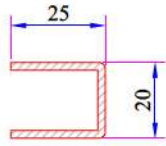
100mm Frame Lifting Profile
070.5302

W 760 SERIES PVC PROFILE SYSTEM

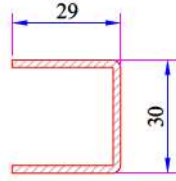
W 760 Re-Inforcement Profiles



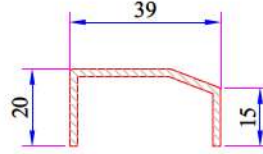
Frame - Mullion Profile Reinforcement
34022-12003



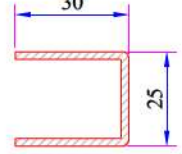
Frame with Sill Profile Reinforcement
34022-12021



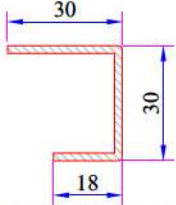
Sash - Offset Type Sash Profile Reinforcement
34022-12002



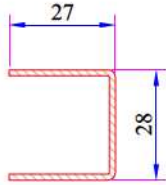
Narrow Sash Profile Reinforcement
34022-12031



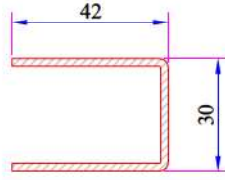
Mullion For Door Profile Reinforcement
34022-12004



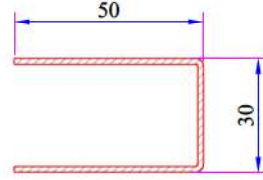
Outward Opening Sash Profile Reinforcement
34022-12022



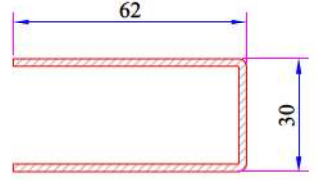
Outward Opening Sash Profile (9 Axis) Reinforcement
34022-12020



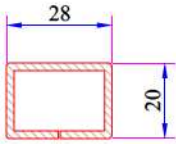
Eco Door Sash - Outward Opening Eco Door Sash Profile Reinforcement
34022-12023



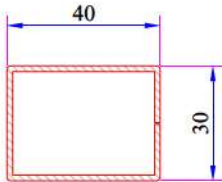
Door Sash - Outward Opening Door Sash Profile Reinforcement
34022-12013



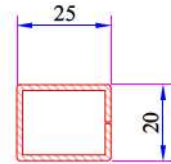
Super Door Sash Profile Reinforcement
34022-12029



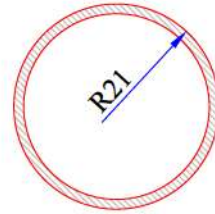
Lap Joint Profile Reinforcement
34022-12118



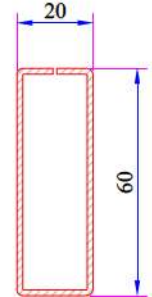
100mm Frame Lifting Profile Reinforcement
34022-12120



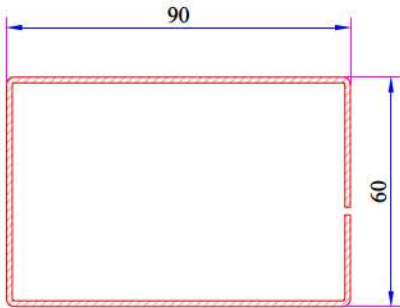
35mm Frame Lifting Profile Reinforcement
34022-12104



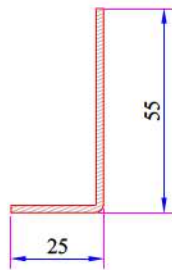
Pipe Profile Reinforcement
34022-12502



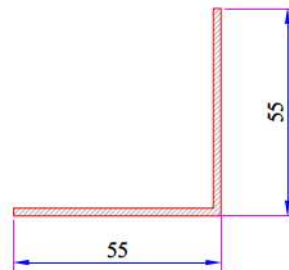
Large Coupling Profile Reinforcement
34022-12106



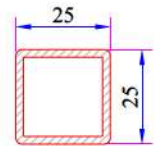
70x100 mm Box Profile Reinforcement
34022-12121



135° Corner Profile Reinforcement
34022-12303

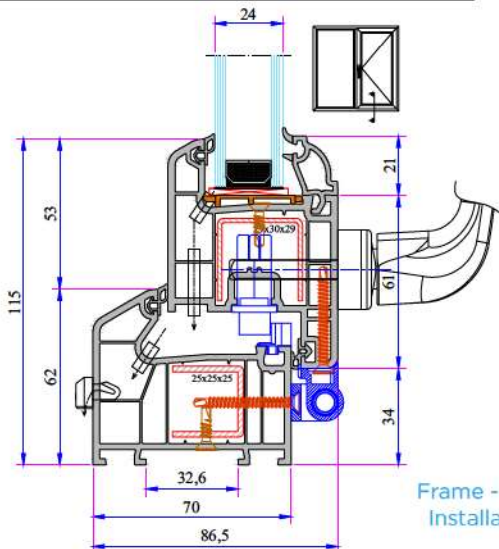


90° Corner Profile Reinforcement
34022-12305

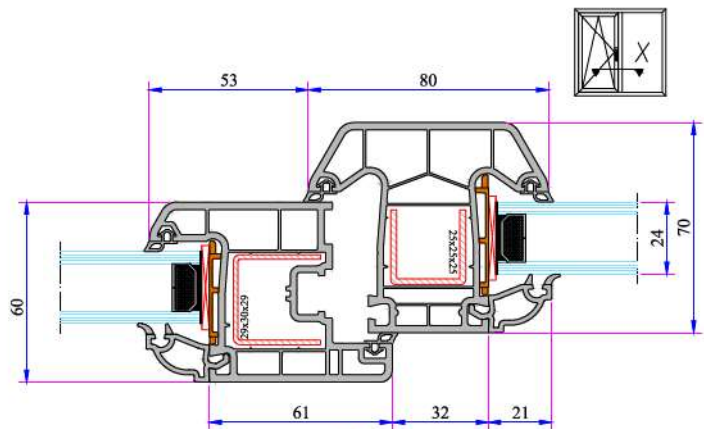


Mullion Profile Static Reinforcement
34022-12122

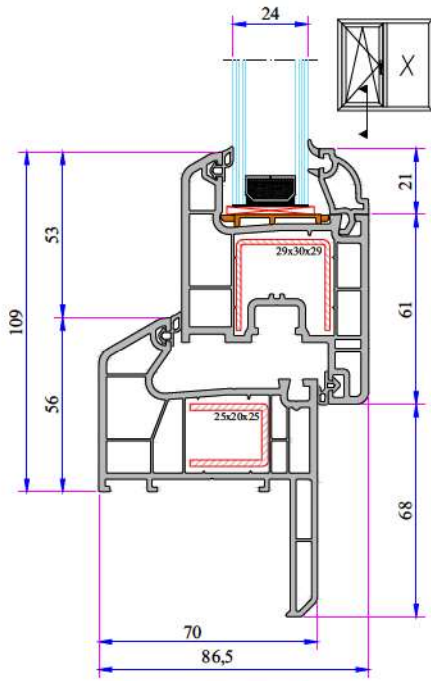
W 760 Installation



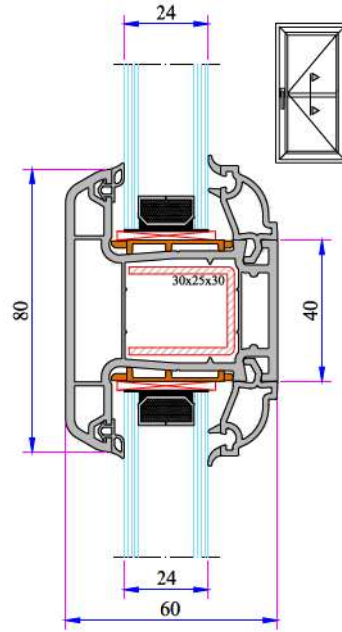
Frame - Sash Installation



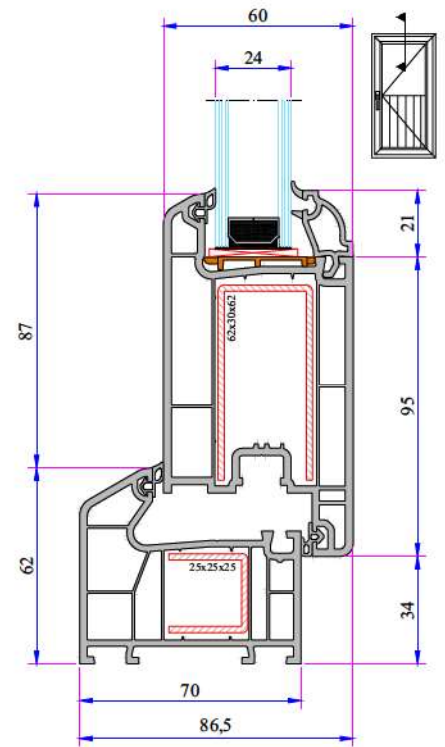
Mullion - Sash Installation



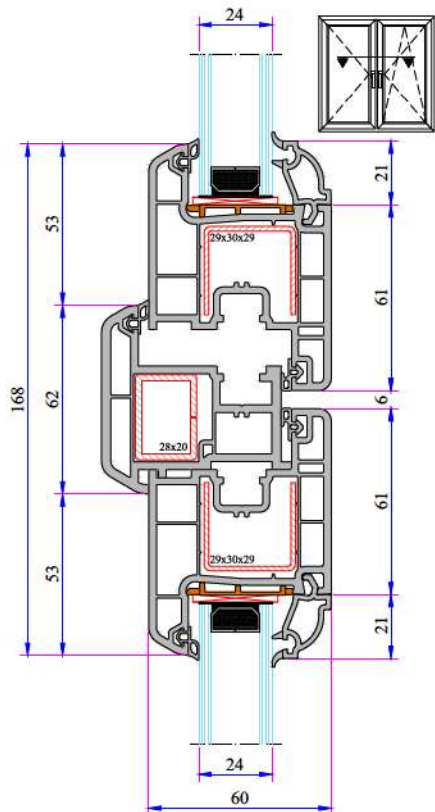
Frame with Sill - Sash Installation



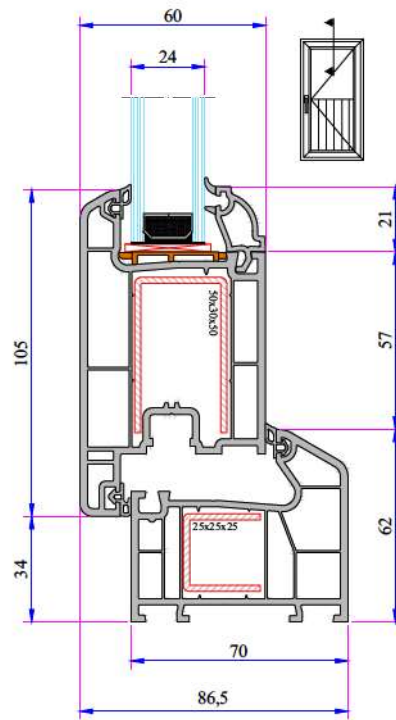
Mullion Profile Installation



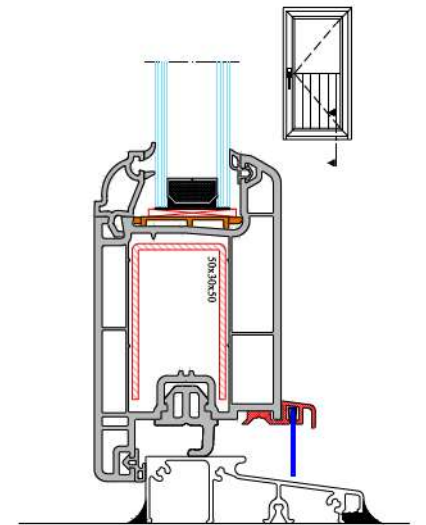
Frame - Super Door Sash Installation



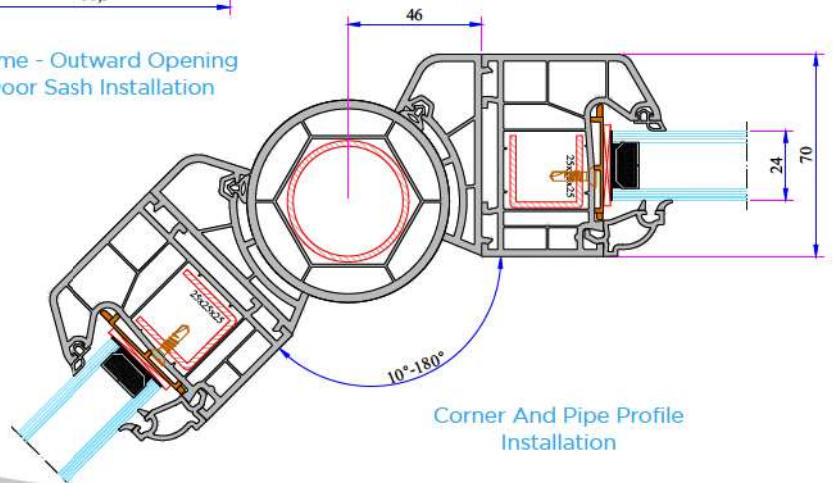
Sash - Lap Joint - Sash Installation



Frame - Outward Opening Door Sash Installation

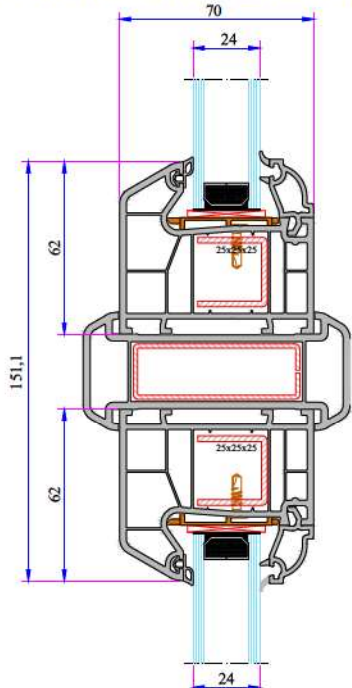


With Aluminium Threshold Frame Door Sash Installation

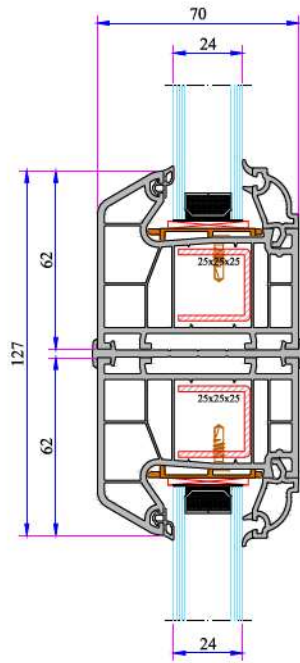


Corner And Pipe Profile Installation

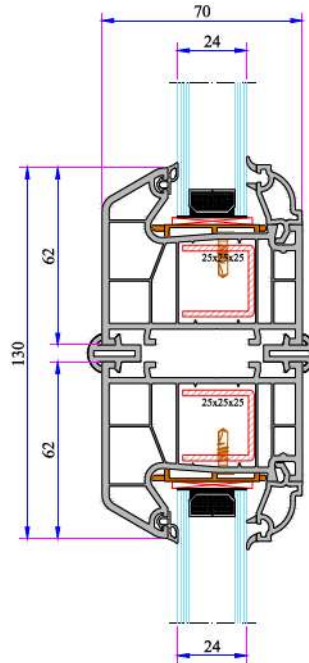
W 760 SERIES PVC PROFILE SYSTEM



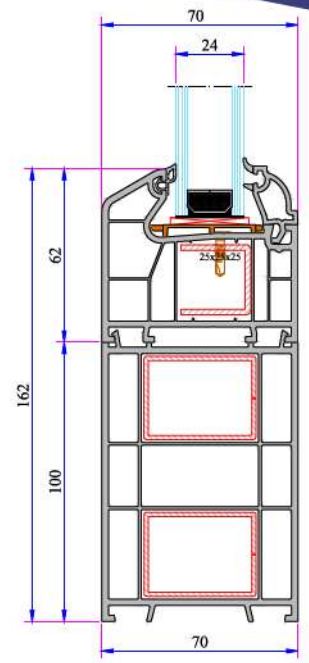
Large Coupling Profile Installation



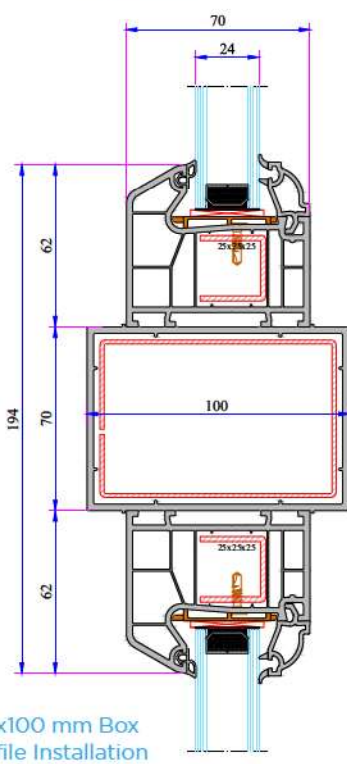
Narrow Coupling Profile Installation



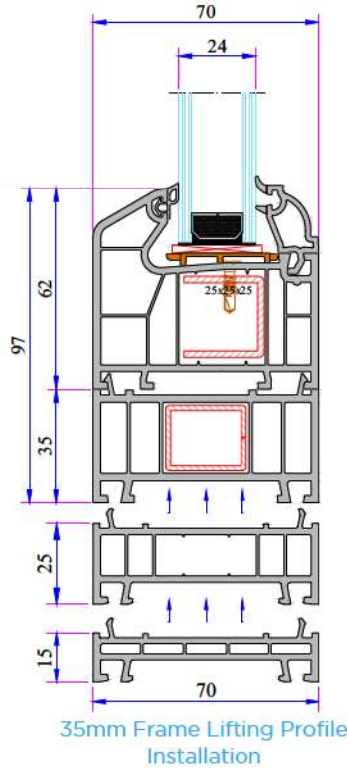
Short Coupling Profile Installation



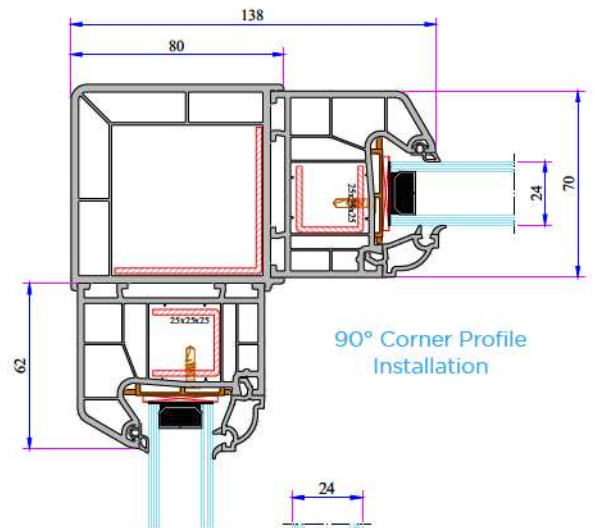
100mm Frame Lifting Profile Installation



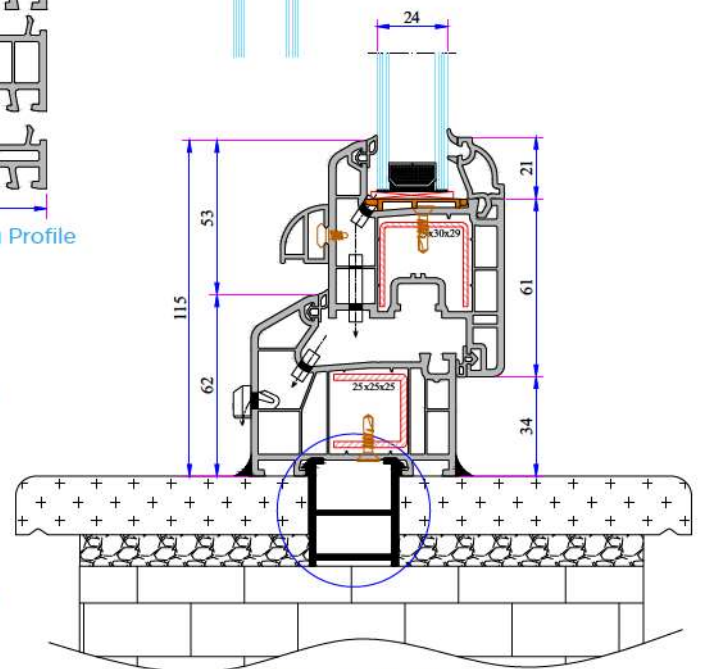
70x100 mm Box Profile Installation



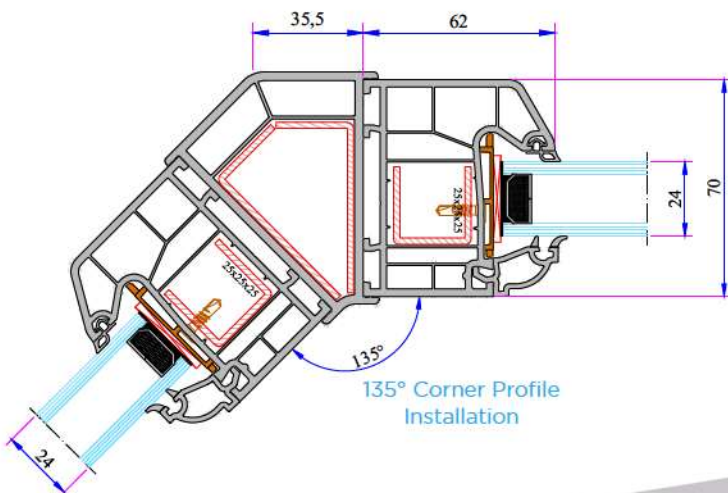
35mm Frame Lifting Profile Installation



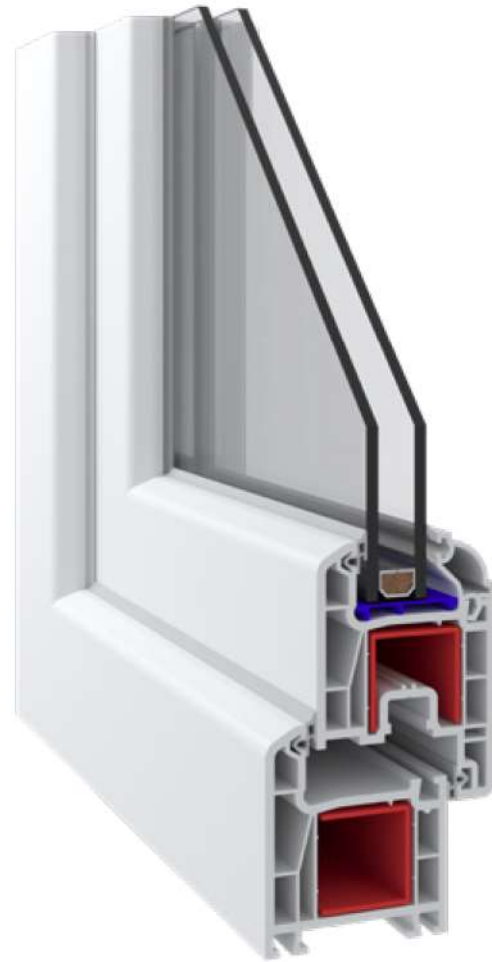
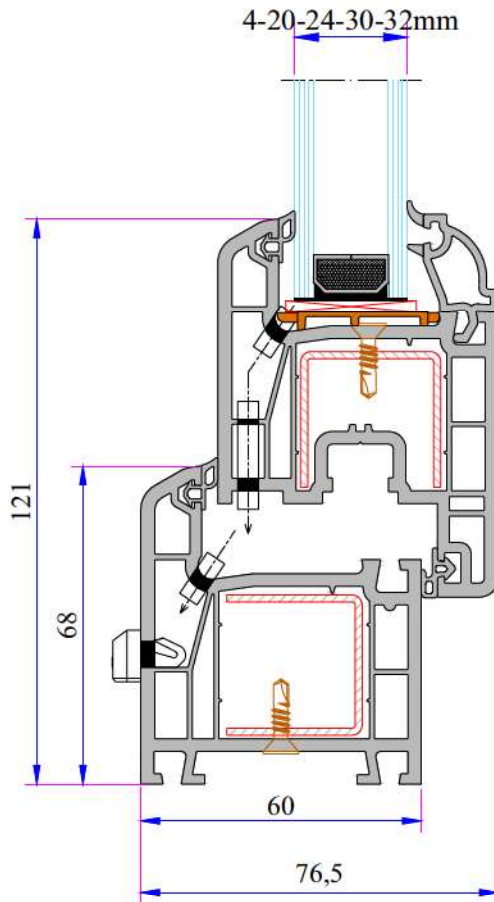
90° Corner Profile Installation



Offset Profile and Montage Profile Installation



135° Corner Profile Installation



TECHNICAL

W 642 SERIES

Profile Width: 60 mm

Number of chambers: 4

Profile Class: A Class (TS EN 12608-1)

RAL 716 - GZ A Class

Seal Type: External / Internal double seal system

Seal Type and Color: TPE - Grey /Black

Glass Thickness (mm): 4, 20, 24, 30, 32 mm

The thermal insulation Uf: 1,50 W/m²K

W 640 SERIES

Profile Width: 60 mm

Number of chambers: 4

Profile Class: B Class (TS EN 12608-1)

Seal Type: External / Internal double seal system

Seal Type and Color: TPE - Grey /Black

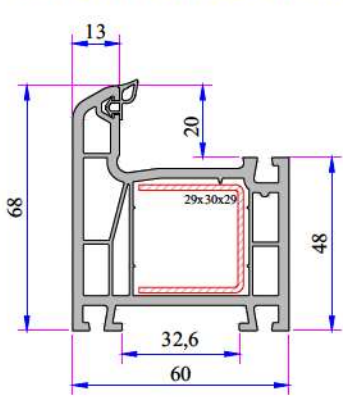
Glass Thickness (mm): 4, 20, 24, 30, 32 mm

The thermal insulation Uf: 1,45 W/m²K

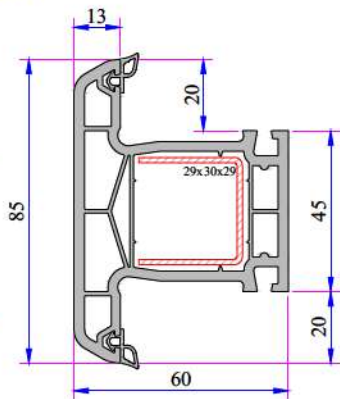
INSTRUCTION

- The main profiles have 60 mm width.
- Because of the elastic grey and black seal which does not leave any stain on profiles will be provided maximum air, water, dust and sound isolation.
- Due to the 4 chambers profiles, it has maximum performance for thermal, sound and water isolation.
- It is a series of profiles with very special design that provides maximum wind resistance on high rise buildings.
- Excluding normal sash profile there is also chance to have a choice for offset type sash profile.
- In addition to white profile a different laminated color range is available.
- 4-5 mm single glazing application of 20, 24, 30, 32 mm glazing beads give us alternatives of using double, triple glazing and panels.

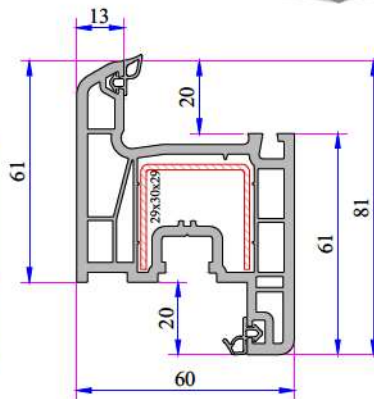
W 642 - W 640 SERIES PVC PROFILE SYSTEM



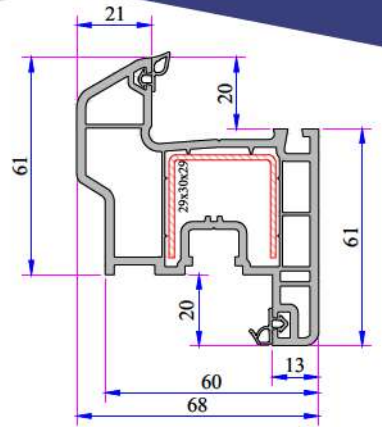
Frame Profile
642.1000 (A Class)
640.1000 (B Class)



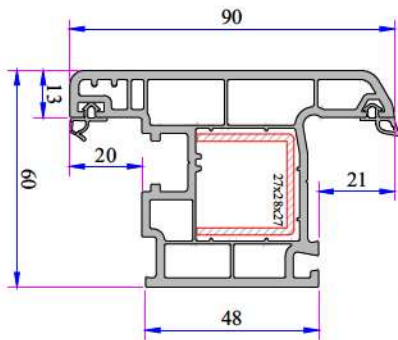
Mullion Profile
642.3000 (A Class)
640.3000 (B Class)



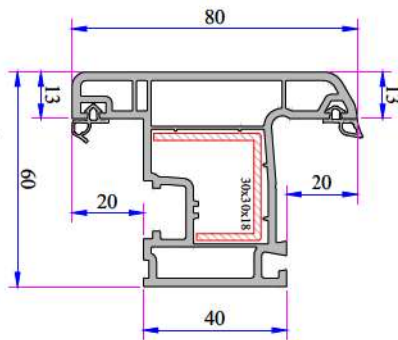
Sash Profile
642.2000 (A Class)
640.2000 (B Class)



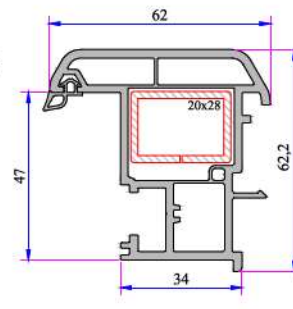
Offset Type Sash Profile
632.2200



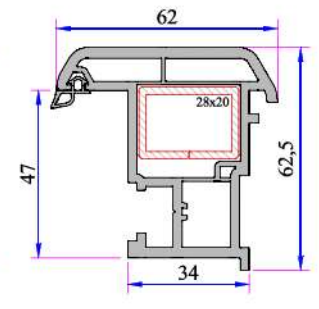
9 Axis Outward Opening Mullion Profile
430.2001



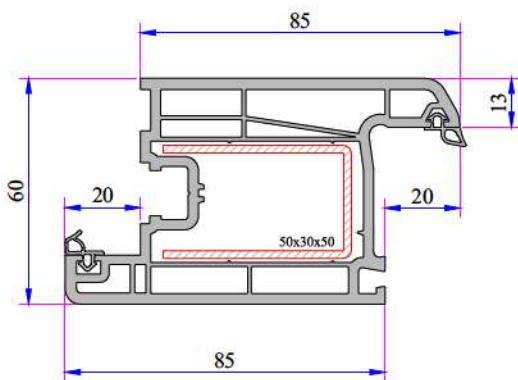
22 Axis Outward Opening Sash Profile
632.2014



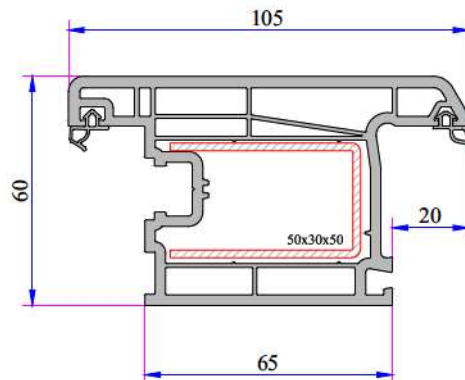
Lap Joint Profile
632.3104



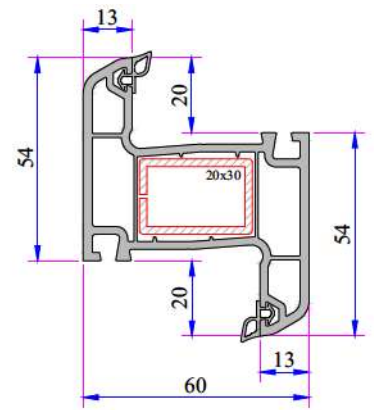
Lap Joint Profile
632.3100



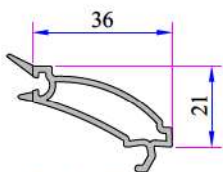
Door Sash Profile
642.2100



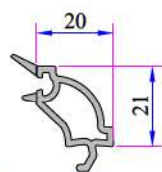
Outward Opening Door Sash Profile
642.2101



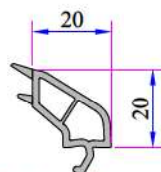
Outward Opening Mullion Profile
632.3005



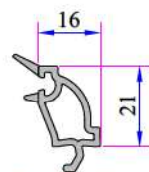
Single Glazing Bead 4-6 mm
101.4002



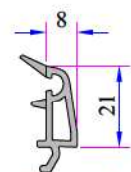
Double Glazing Bead 20 mm
101.4102



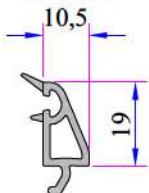
Double Glazing Bead 20 mm
101.4100



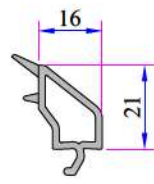
Double Glazing Bead 24 mm
101.4202



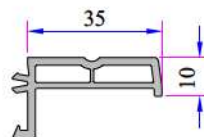
Triple Glazing Bead 32 mm
101.4500



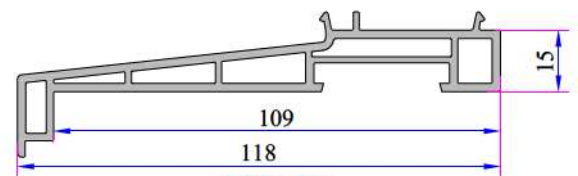
Triple Glazing Bead 30 mm
332.4100



Double Glazing Bead 24 mm
750.4500

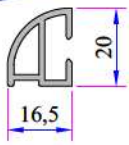


Frame Sill Profile (35mm)
099.5523

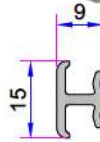


Sill Profile
058.5504

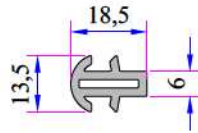
W 642 - W 640 SERIES PVC PROFILE SYSTEM



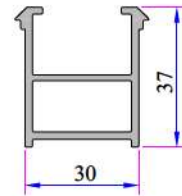
Offset Profile
900.6307



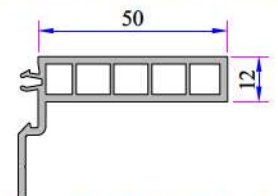
Universal Short Coupling
Profile
099.5004



Short Coupling Profile
099.5003



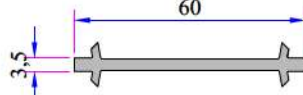
Frame Montage Profile
060.5301 0



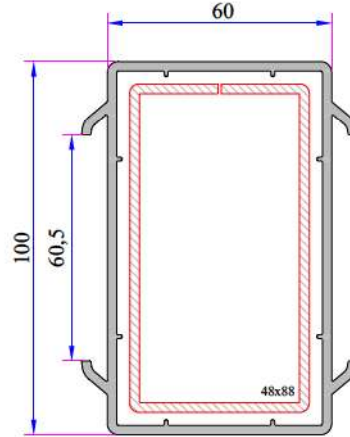
Frame Sill Profile (50mm)
099.5524



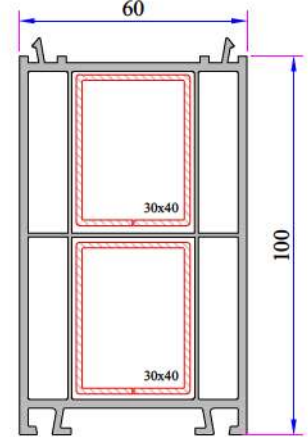
Universal Large
Coupling Cover Profile
058.5707



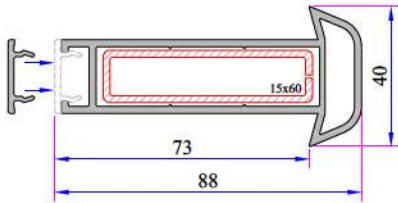
Narrow Coupling Profile
060.5001



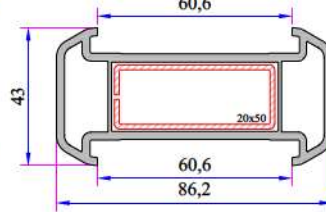
60x100 Spiked Box Profile
060.5203



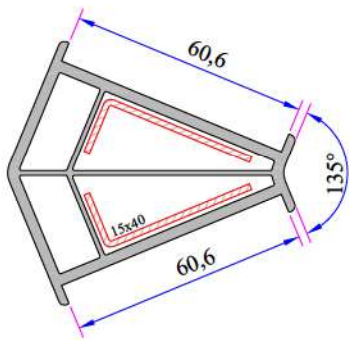
60x100 Frame Lifting Profile
900.5303



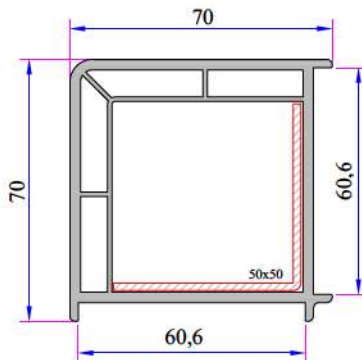
Universal Large
Coupling Profile
058.5000



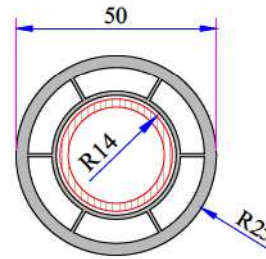
Large Coupling Profile
060.5000



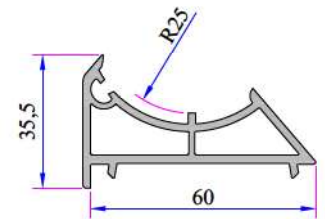
135° Corner Profile
060.5102



90° Corner Profile
060.5100

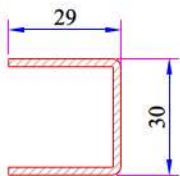


Pipe Profile
050.5106

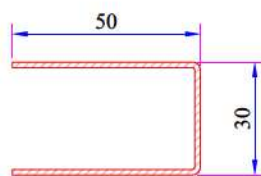


Angle Pipe Adaptor Profile
060.5104

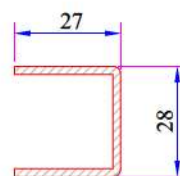
W 640 - W 642 Re-Inforcement Profiles



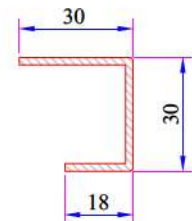
Frame - Sash - Offset Type Sash
- Mullion Profile Reinforcement
34022-12002



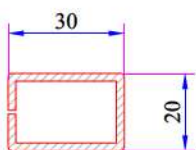
Door Sash-Outward Opening
Door Sash Profile Reinforcement
34022-12013



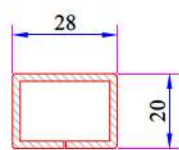
Outward Opening Sash Profile
(9 Axis) Reinforcement
34022-12020



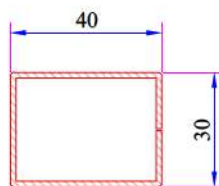
Outward Opening Sash Profile
(22 Axis) Reinforcement
34022-12022



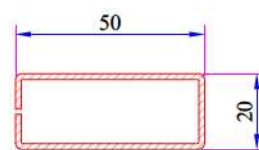
Outward Opening Mullion
Profile Reinforcement
34022-12109



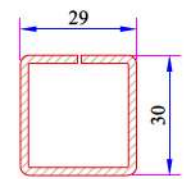
Lap Joint Profile
Reinforcement
34022-12118



100mm Frame Lifting Profile
Reinforcement
34022-12120

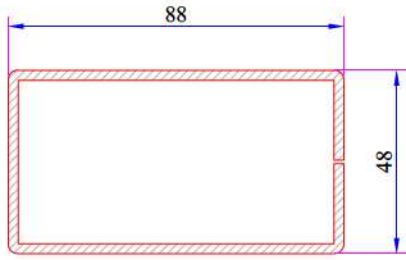


Large Coupling Profile
Reinforcement
34022-12105

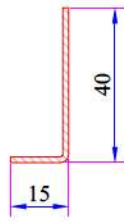


Mullion Profile Static
Reinforcement
34022-15129

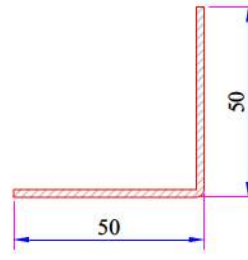
W 642 - W 640 SERIES PVC PROFILE SYSTEM



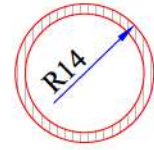
60x100 mm Box Profile Reinforcement
34022-12102



135° Corner Profile Reinforcement
34022-12301

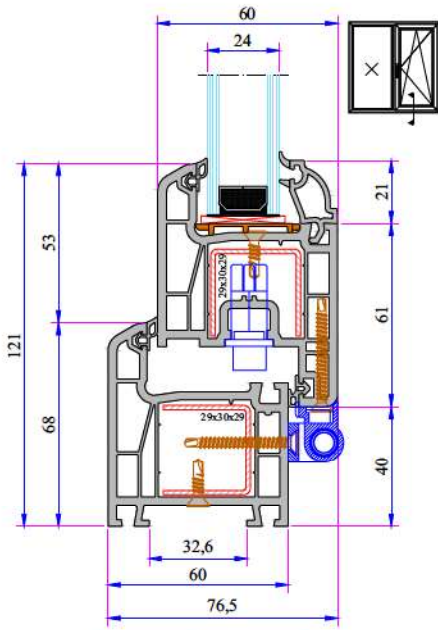


90° Corner Profile Reinforcement
34022-12302

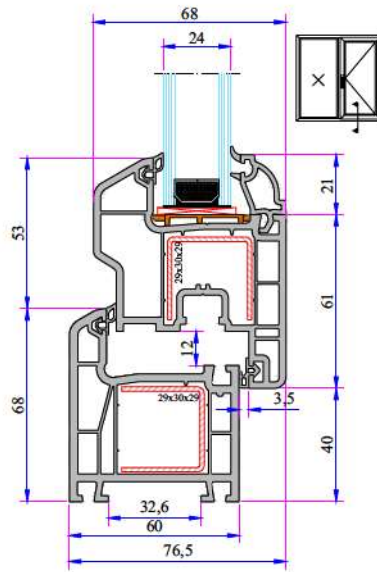


Pipe Profile Reinforcement
34022-12503

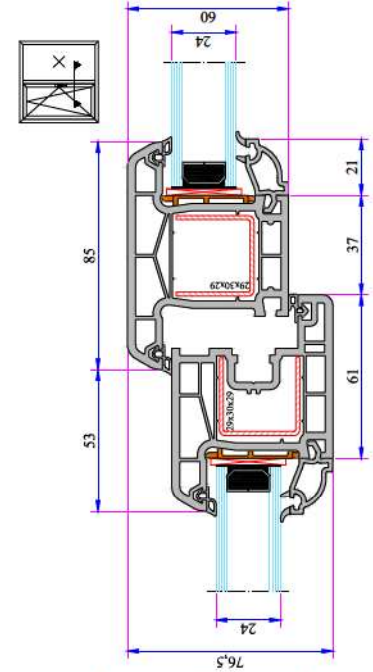
W 640 - W 642 Installation



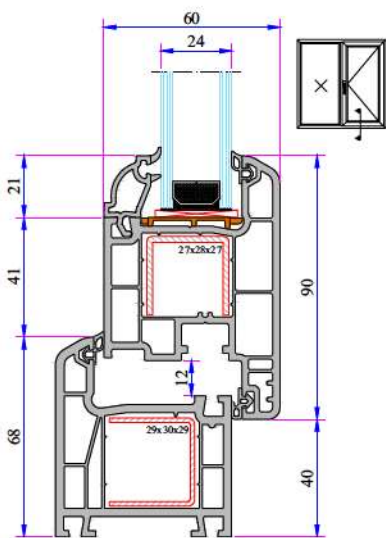
Frame - Sash Installation



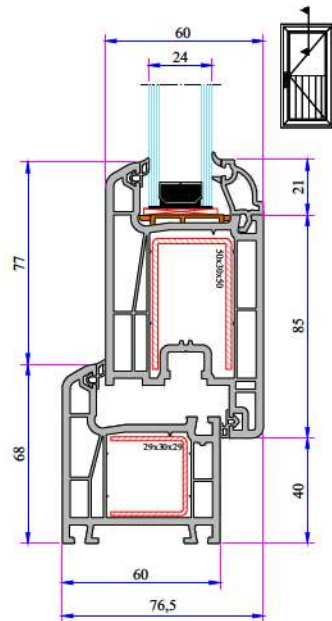
Frame - Offset Type Sash Installation



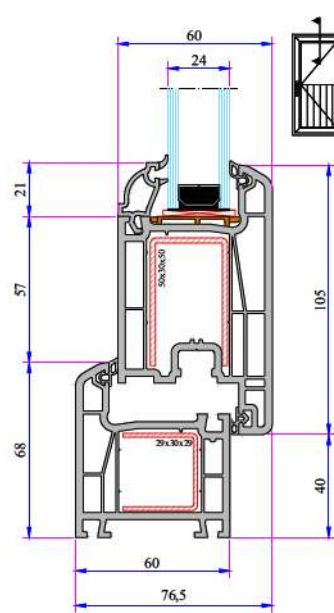
Sash - Mullion Installation



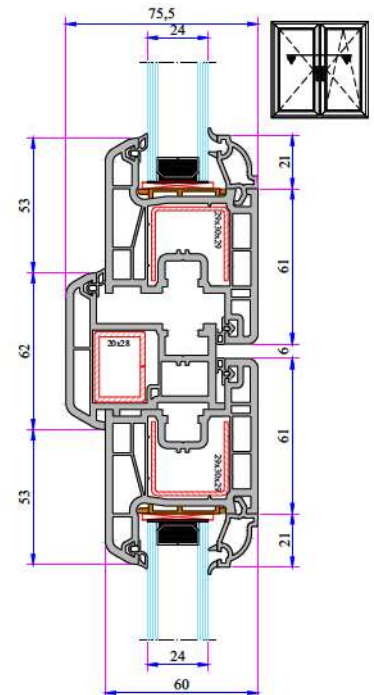
Frame - Outward Opening Sash Installation



Frame - Door Sash Installation

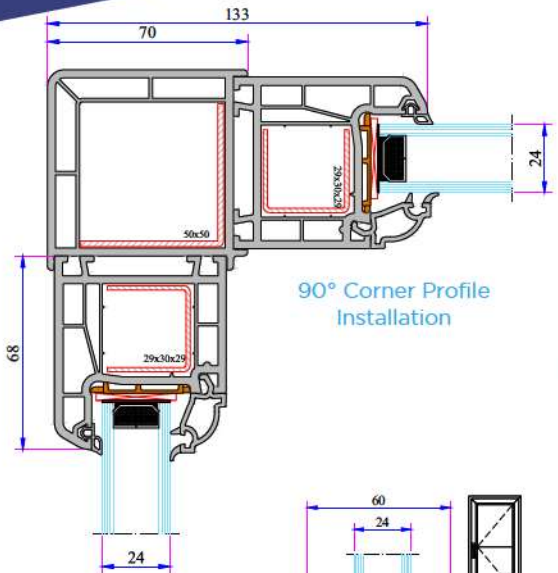


Frame - Outward Opening Door Sash Profile



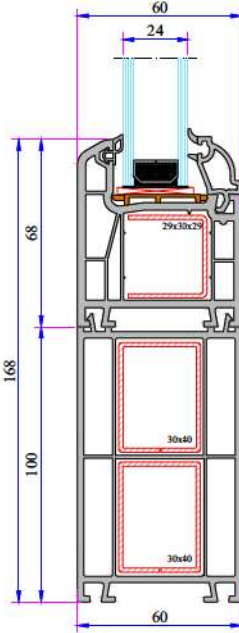
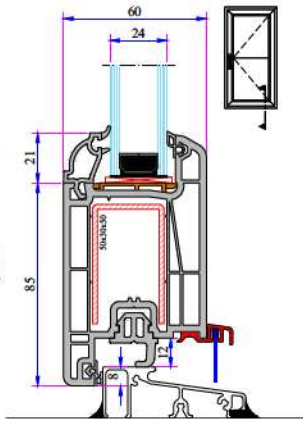
Sash - Lap Joint - Sash Installation

W 642 - W 640 SERIES PVC PROFILE SYSTEM

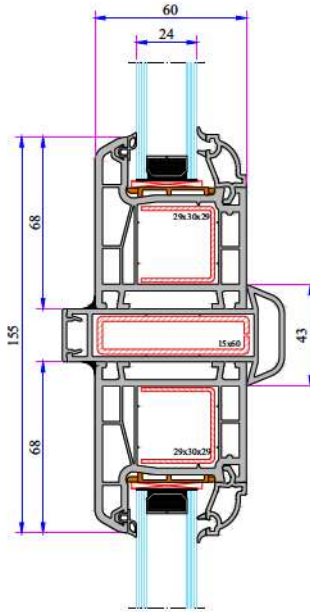


90° Corner Profile Installation

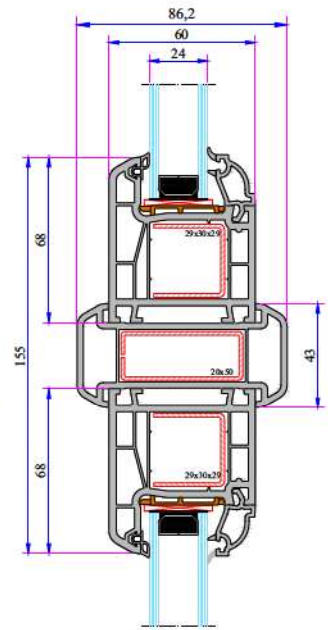
With Aluminium
Threshold Frame
Door Sash
Installation



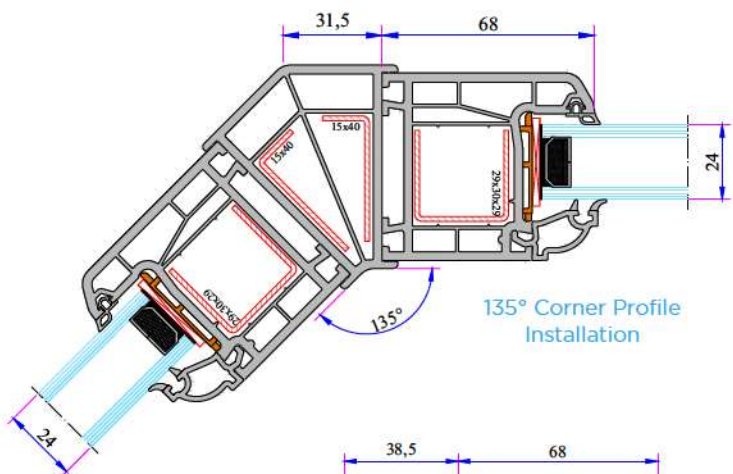
100mm Frame Lifting
Profile Installation



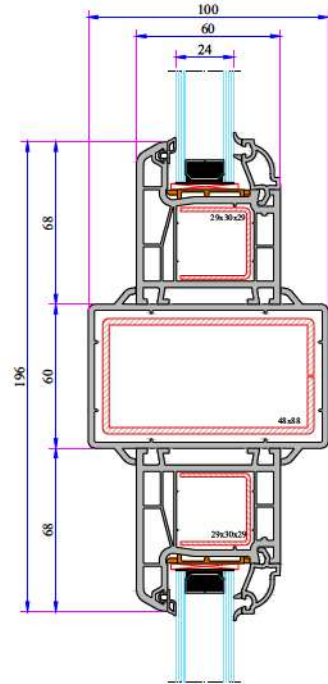
Large Coupling
Installation



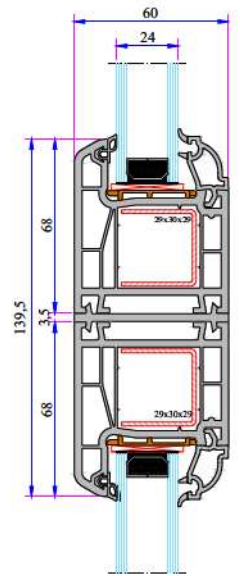
Large Coupling
Installation



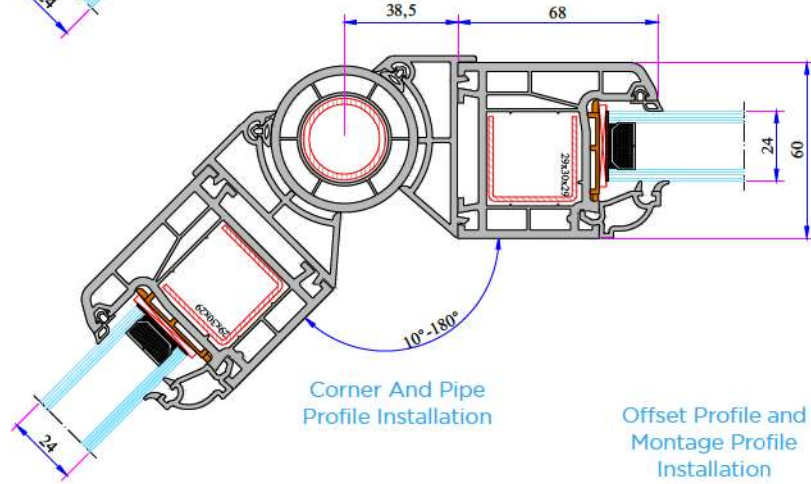
135° Corner Profile
Installation



60x100 Spiked Box
Profile Installation

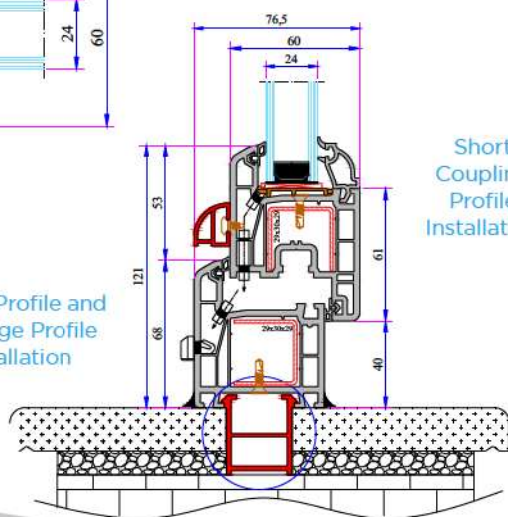


Narrow Coupling
Profile Installation

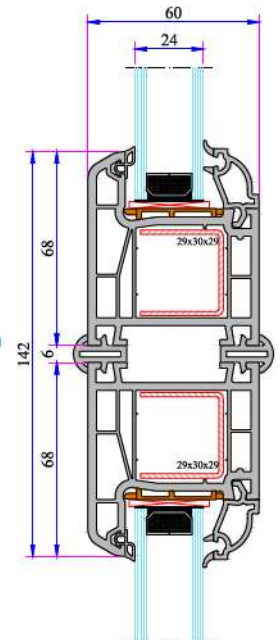


Corner And Pipe
Profile Installation

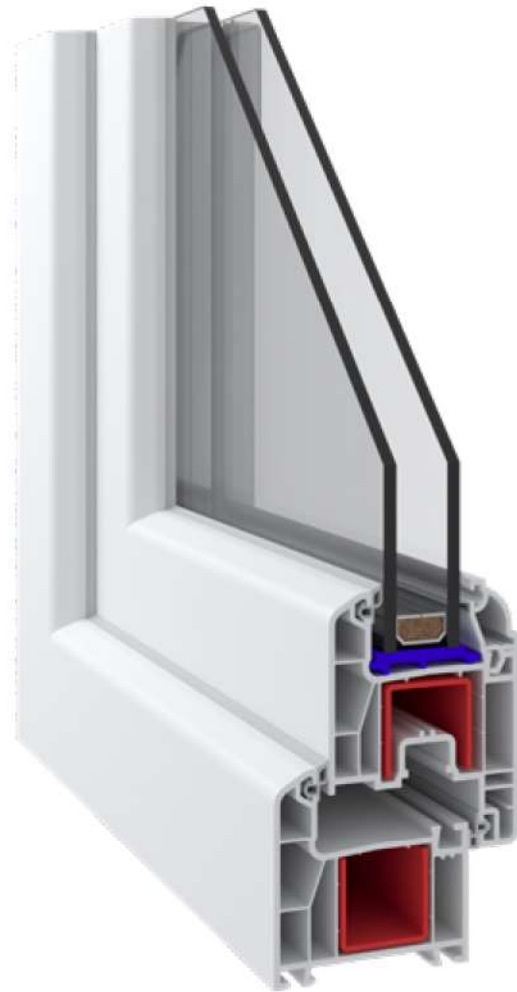
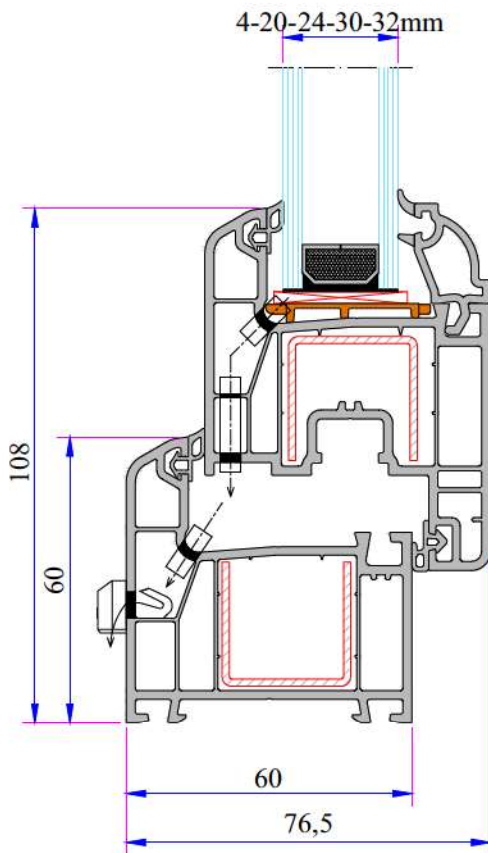
Offset Profile and
Montage Profile
Installation



Short
Coupling
Profile
Installation







TECHNICAL

W 634 SERIES

Profile Width: 60 mm

Number of chambers: 4

Profile Class: C Class

Seal Type: External / Internal double seal system

Seal Type and Color: TPE - Grey /Black

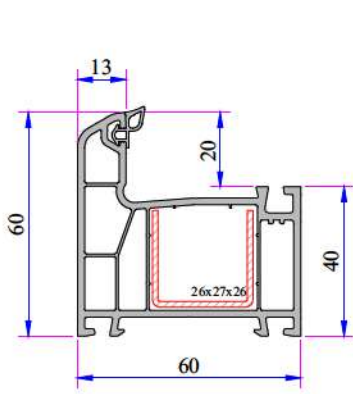
Glass Thickness (mm): 4, 20, 24, 30, 32 mm

The thermal insulation Uf: 1,50 W/m²K

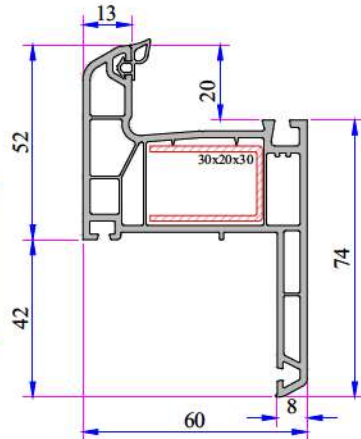
INSTRUCTION

- The main profiles have 60 mm width.
- Because of the elastic grey and black seal which does not leave any stain on profiles will be provided maximum air, water, dust and sound isolation.
- Due to the 4 chambers profiles, it has maximum performance for thermal, sound and water isolation.
- Excluding normal sash profile there is also chance to have a choice for offset type sash profile.
- In addition to white profile a different laminated color range is available.
- 4-6 mm single glazing application of 20, 24, 30, 32 mm glazing beads give us alternatives of using double, triple glazing and panels.

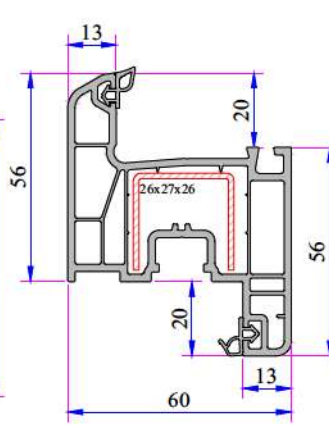
W 634 SERIES PVC PROFILE SYSTEM



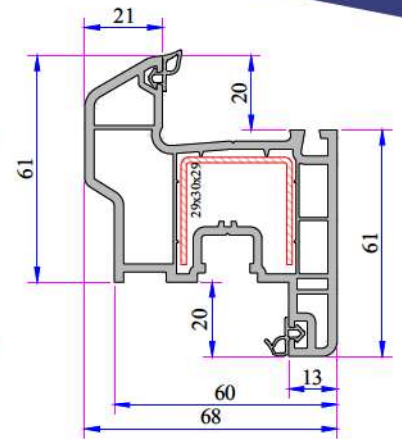
Frame Profile
634.1000



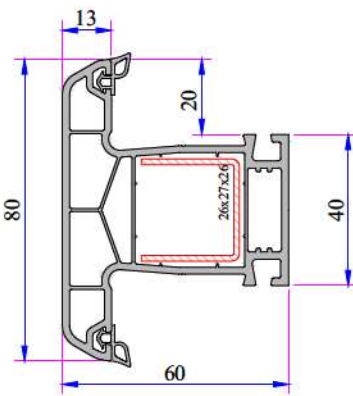
Dec. Sill Profile 42mm
634.1200
634.1200.PC (with Double Seal)



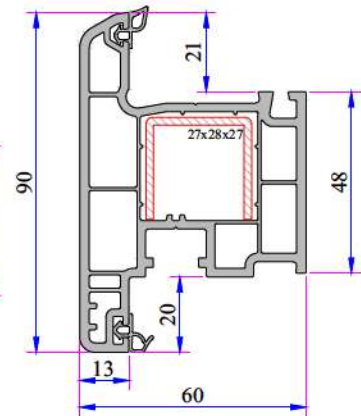
Sash Profile
634.2000



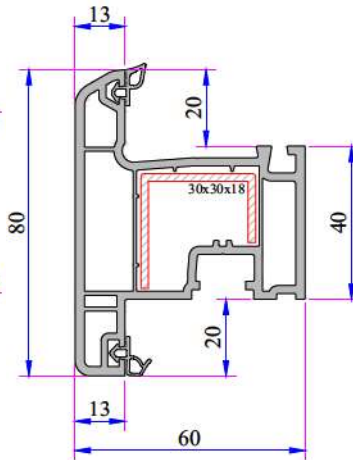
Offset Type Sash Profile
632.2200



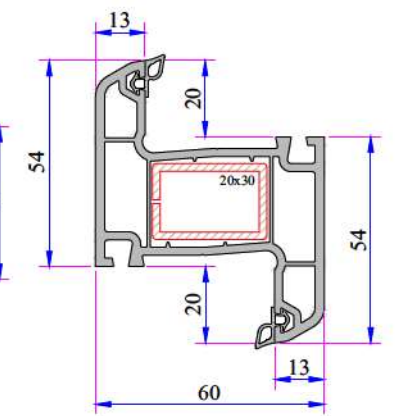
Mullion Profile
634.3000



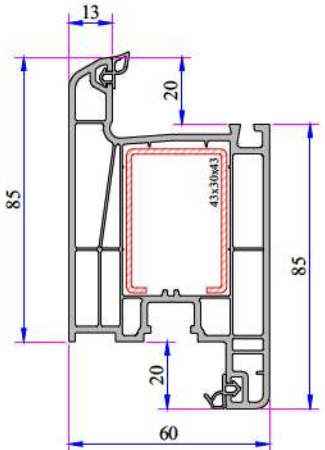
9 Axis Outward Opening
Sash Profile
430.2001



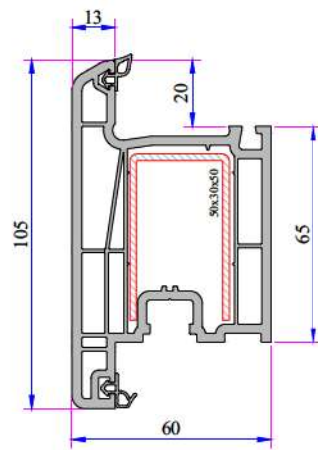
22 Axis Outward Opening
Sash Profile
632.2014



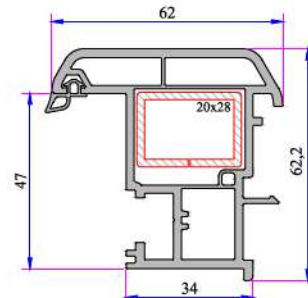
Outward Opening Mullion
Profile
632.3005



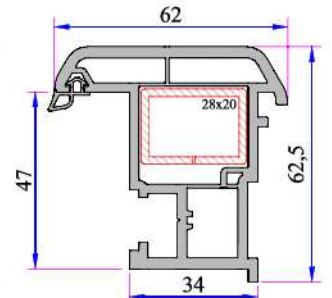
Door Sash Profile
634.2100



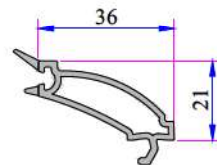
Outward Opening Door Sash
Profile
642.2101



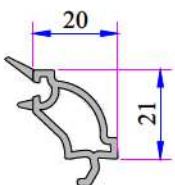
Lap Joint Profile
632.3104



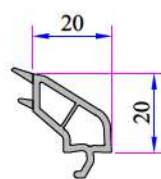
Lap Joint Profile
632.3100



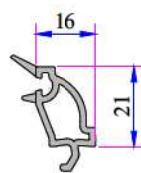
4 mm Glazing Bead
101.4002



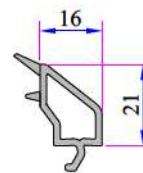
20mm Decorative
Glazing Bead
101.4102



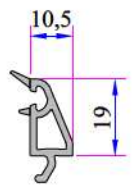
20mm Glazing Bead
101.4100



24mm Decorative
Glazing Bead
101.4202

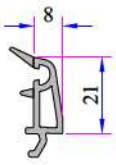


24mm Decorative
Glazing Bead
750.4500

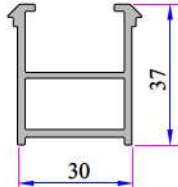


30mm Decorative
Glazing Bead
332.4100

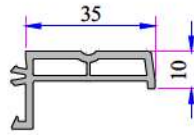
W 634 SERIES PVC PROFILE SYSTEM



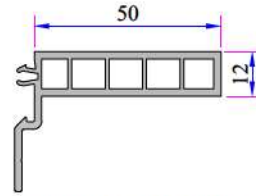
32mm Glazing Bead
101.4500



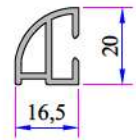
Frame Montage Profile
060.5301



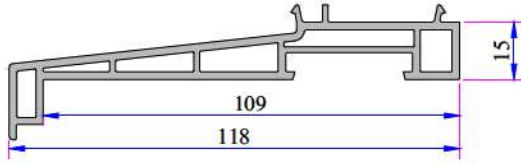
Sill Profile (35mm)
099.5523



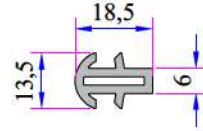
Sill Profile (50mm)
099.5524



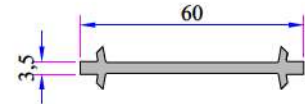
Offset Profile
900.6307



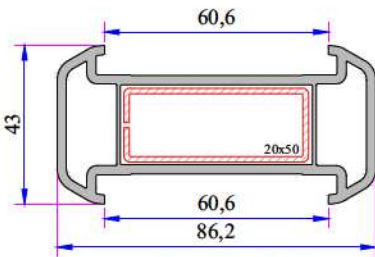
Sill Profile
058.5504



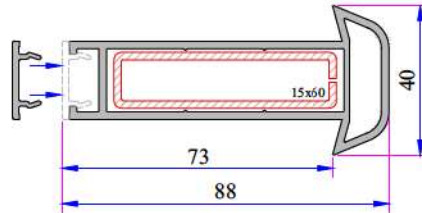
Short Coupling Profile
099.5003



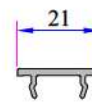
Narrow Coupling Profile
060.5001



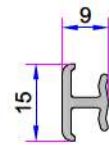
Large Coupling Profile
060.5000



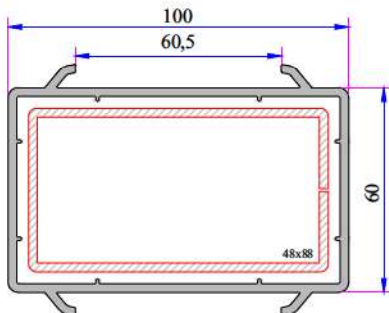
Universal Large Coupling Profile
058.5000



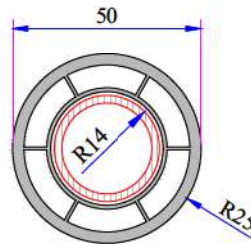
Universal Large Coupling Profile
058.5707



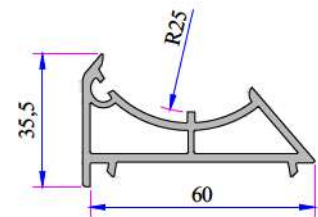
Universal Short Coupling Profile
099.5004



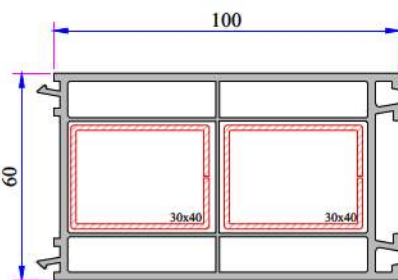
60x100 Spiked Box Profile
060.5203



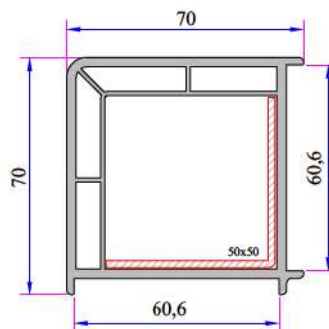
Pipe Profile
050.5106



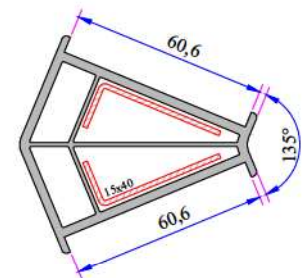
Angle Pipe Adaptor Profile
060.5104



60x100 Frame Lifting Profile
900.5303

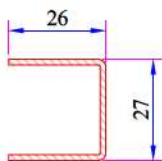


90° Corner Profile
060.5100

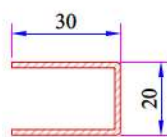


135° Corner Profile
060.5102

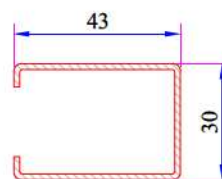
W 634 Re-Inforcement Profiles



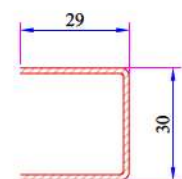
Frame, Sash, Mullion Profile Reinforcement
34022-12046



Frame With Sill Profile Reinforcement
34022-12006

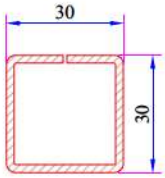


Door Sash Profile Reinforcement
34022-12023

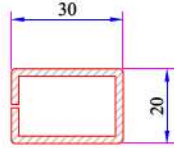


Offset Type Sash Profile Reinforcement
34022-12002

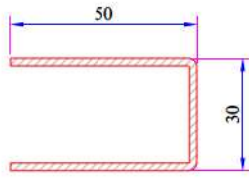
W 634 SERIES PVC PROFILE SYSTEM



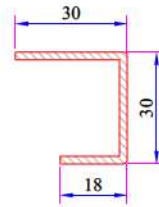
Frame - Mullion Static Reinforcement
34022-15129



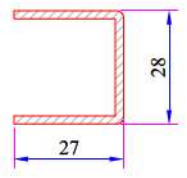
Outward Opening Mullion Profile Reinforcement
34022-12109



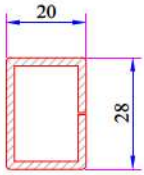
Door Sash - Outward Opening Door Sash Profile Reinforcement
34022-12013



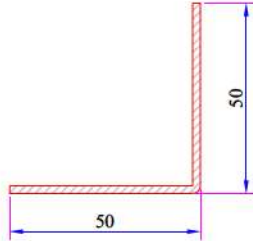
Outward Opening Sash (9 Axis) Reinforcement
34022-12022



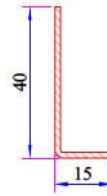
Outward Opening Sash Profile Reinforcement
34022-12020



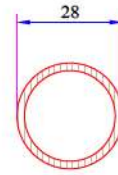
Lap Joint Profile Reinforcement
34022-12118



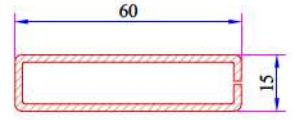
Corner Profile 90° Reinforcement
34022-12302



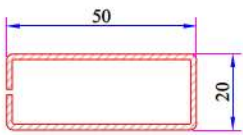
Corner Profile 135° Reinforcement
34022-12301



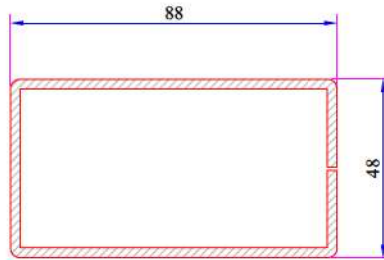
Pipe Profile Reinforcement
34022-12503



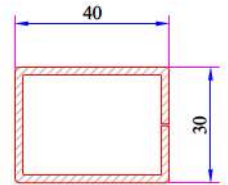
Universal Large Coupling Profile Reinforcement
34022-12123



Large Coupling Profile Reinforcement
34022-12105

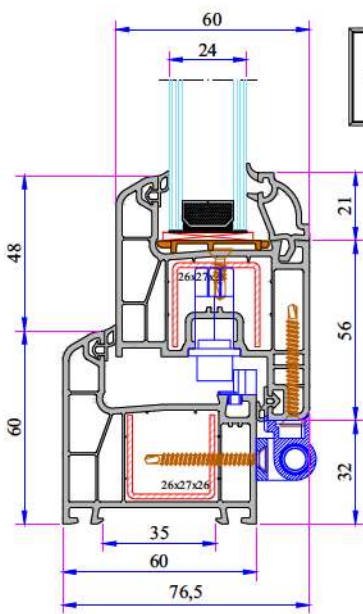


60x100 Spiked Box Profile Reinforcement
34022-12102

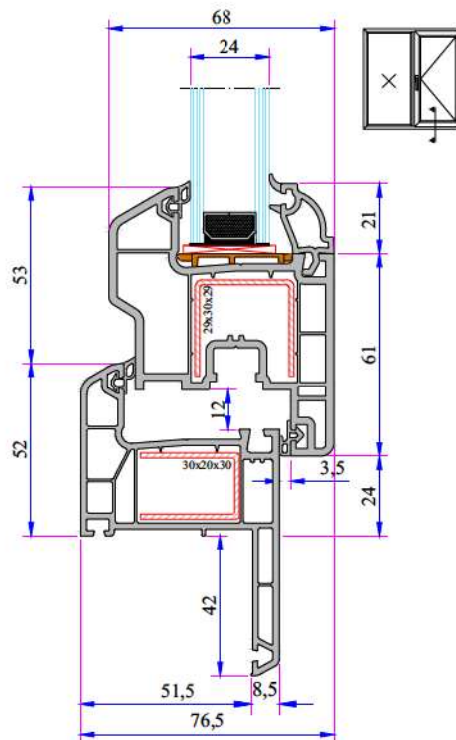


60x100 Frame Lifting Profile Reinforcement
34022-12120

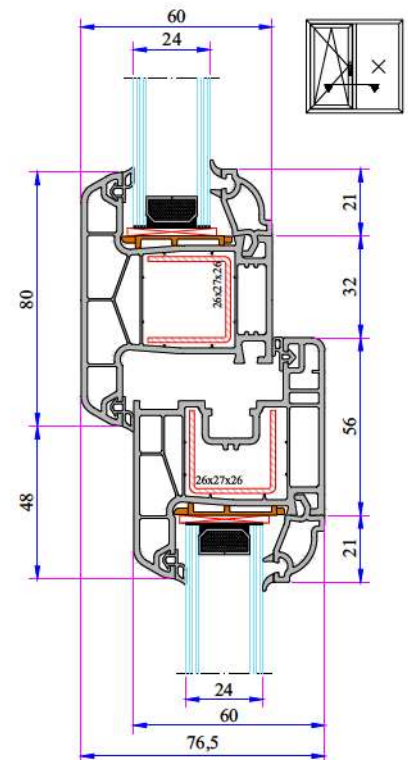
W 634 Installation



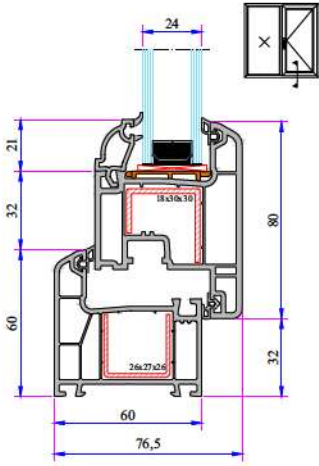
Frame - Sash Installation



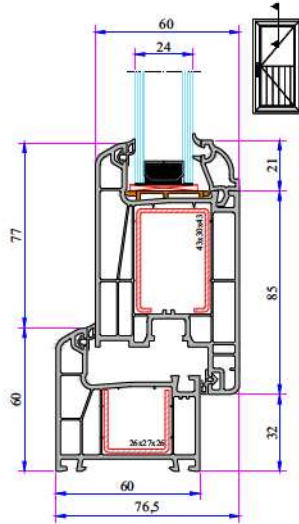
Frame - Offset Type Sash Installation



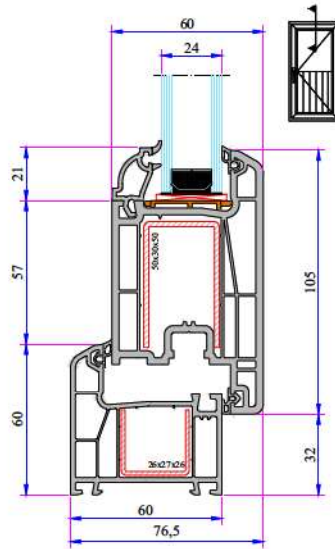
Sash - Mullion Installation



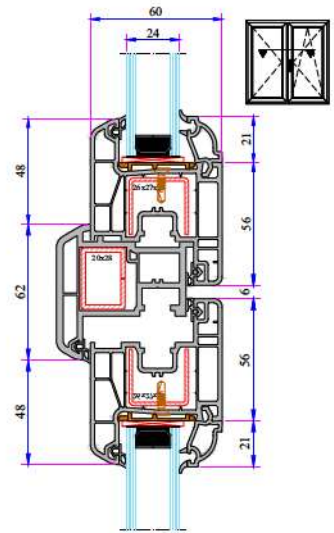
Frame - Outward Opening Sash Installation



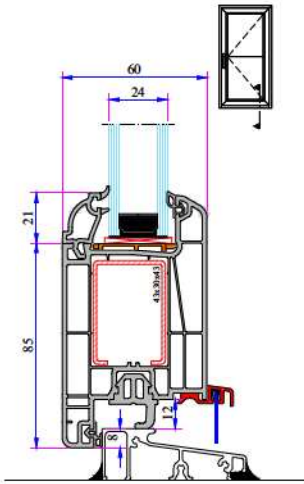
Frame - Door Sash Installation



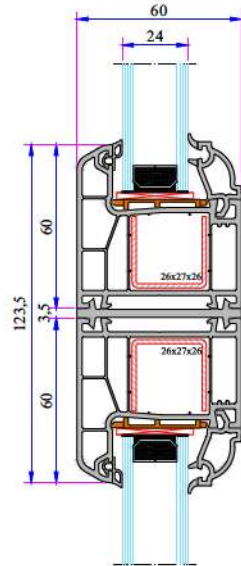
Frame - Outward Opening Door Sash Installation



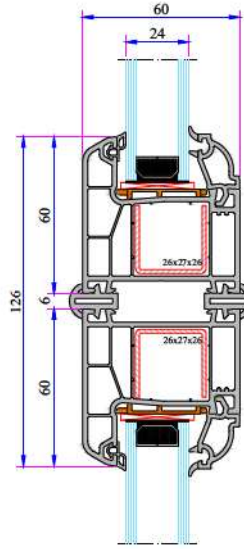
Sash - Lap Joint - Sash Installation



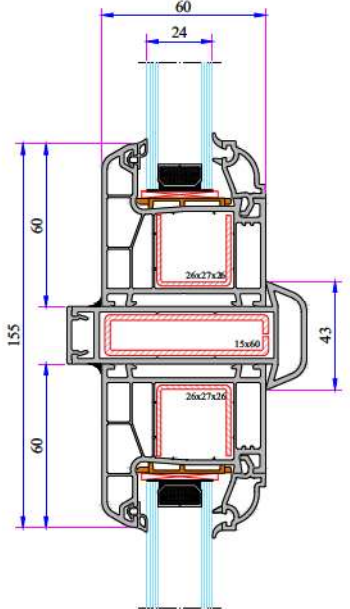
Aluminium Threshold - Door Sash Installation



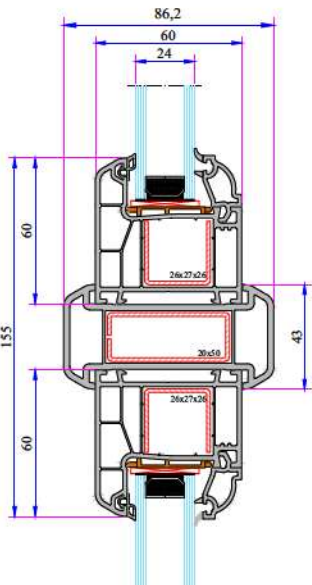
Narrow Coupling Profile Installation



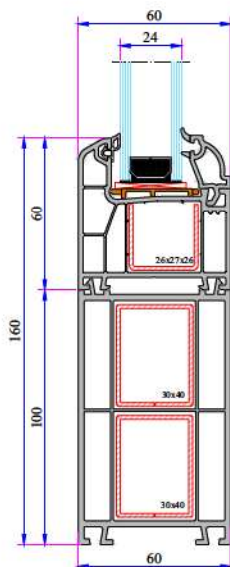
Short Coupling Profile Installation



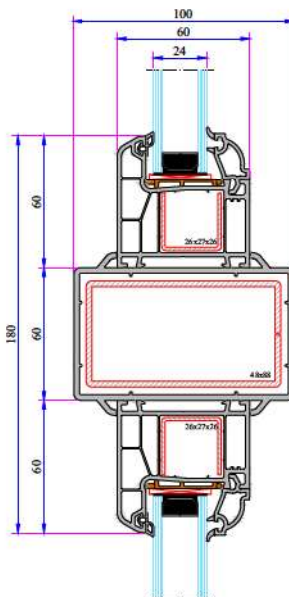
Universal Large Coupling Profile Installation



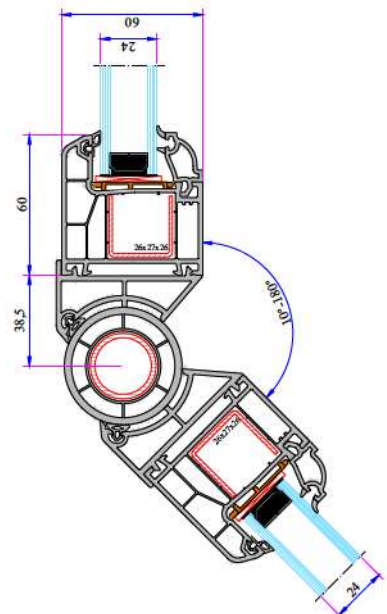
Large Coupling Profile Installation



100mm Frame Lifting Profile Installation

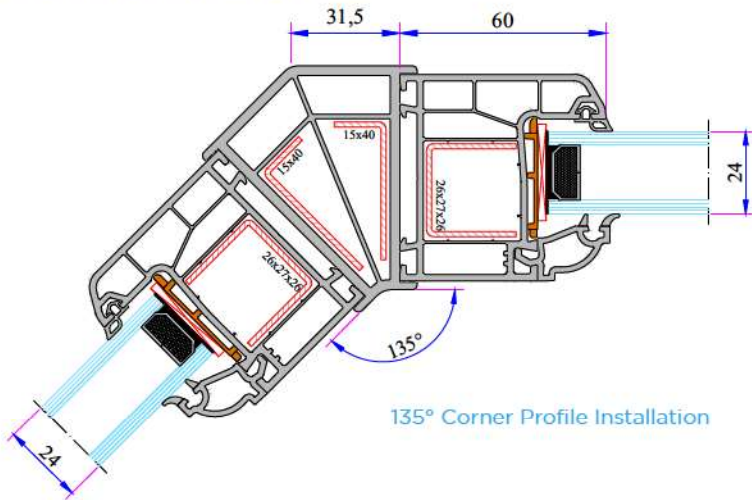


60x100 Spiked Box Profile Installation

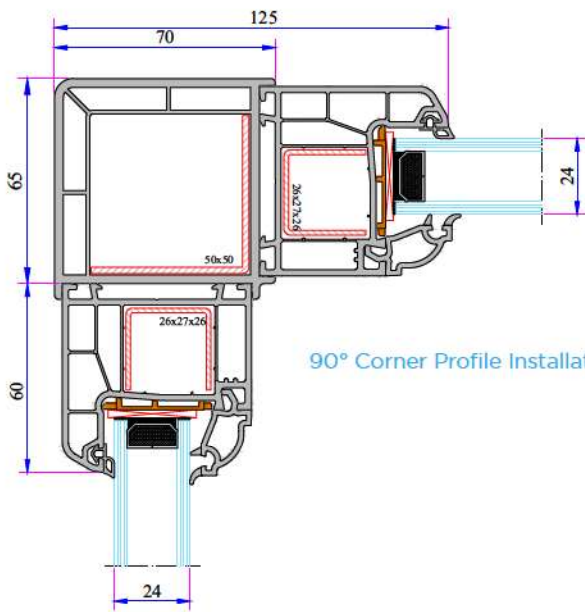


Corner And Pipe Profile Installation

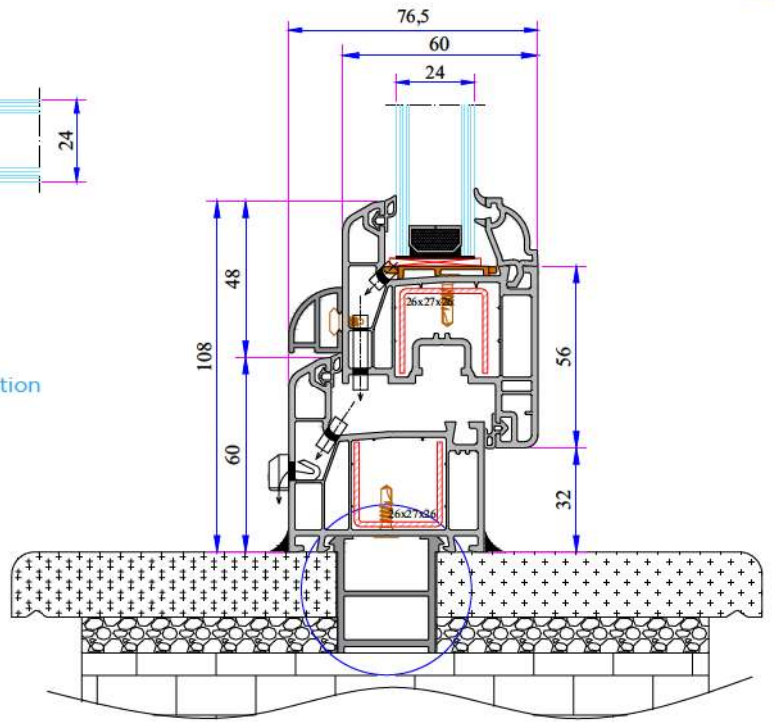
W 634 SERIES PVC PROFILE SYSTEM



135° Corner Profile Installation

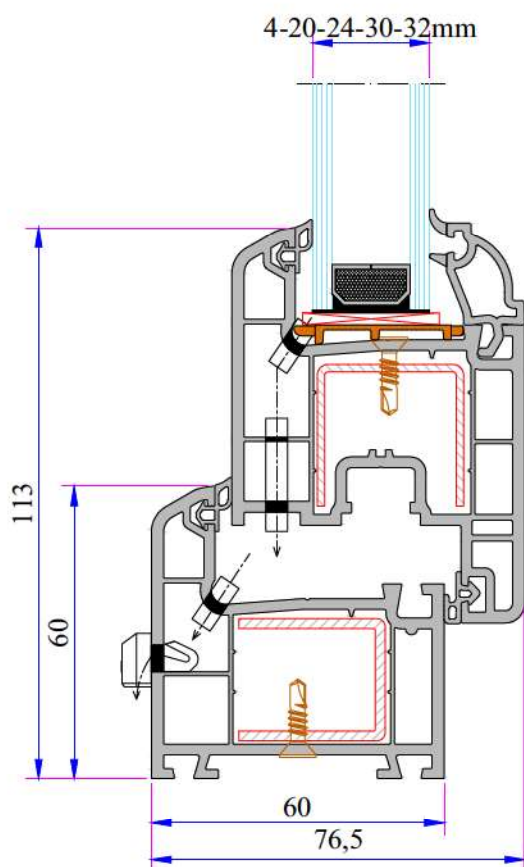


90° Corner Profile Installation



Offset Profile and Frame
Montage Profile Installation





TECHNICAL

W 630 - W 632 SERIES

Profile Width: 60 mm

Number of chambers: 3

Profile Class: W 632 B Class (TS EN 12608-1), W 630 C Class (TS EN 12608-1)

Seal Type: External / Internal double seal system

Seal Type and Color: TPE - Grey /Black

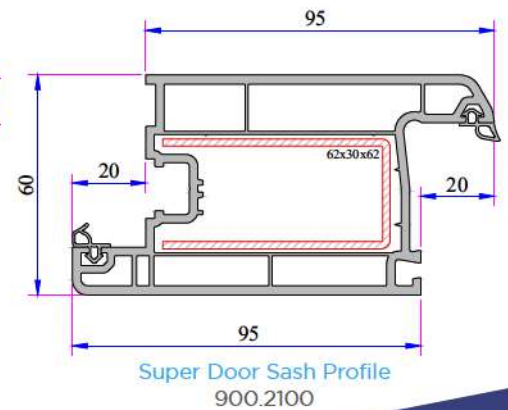
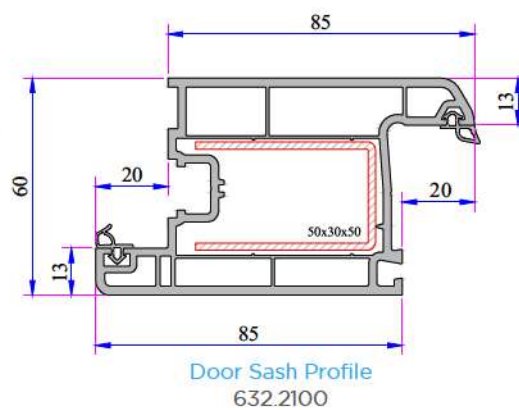
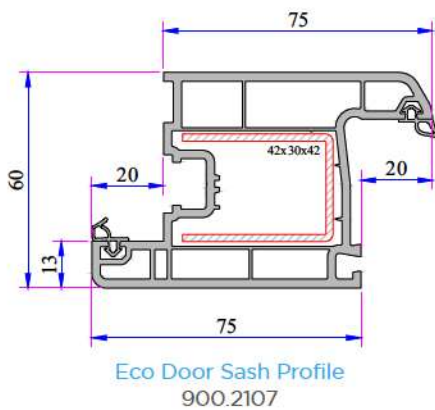
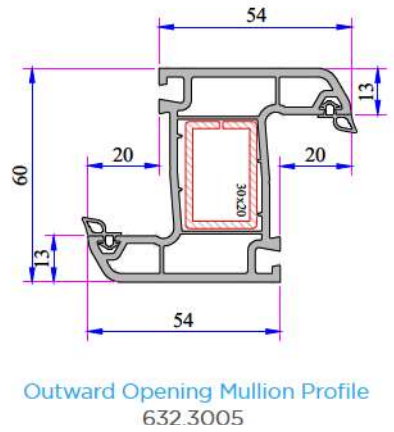
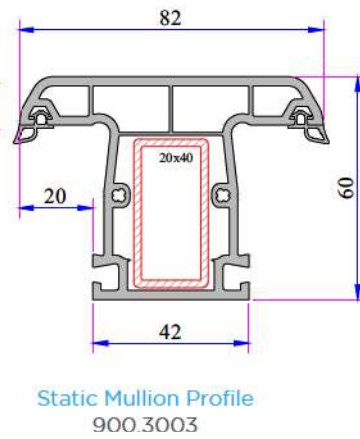
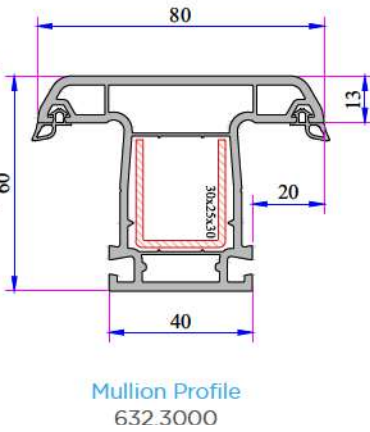
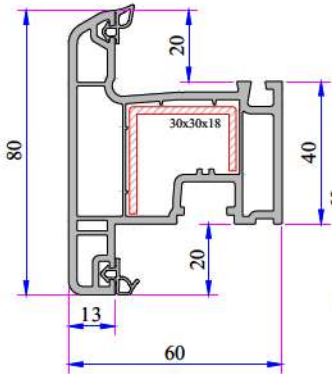
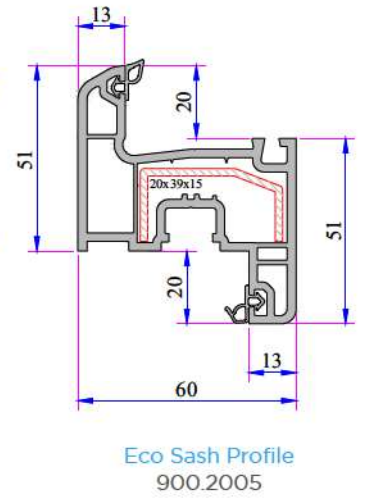
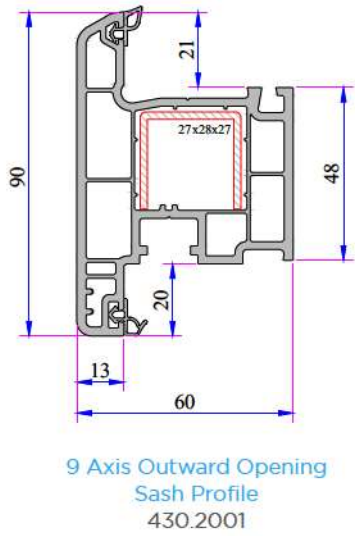
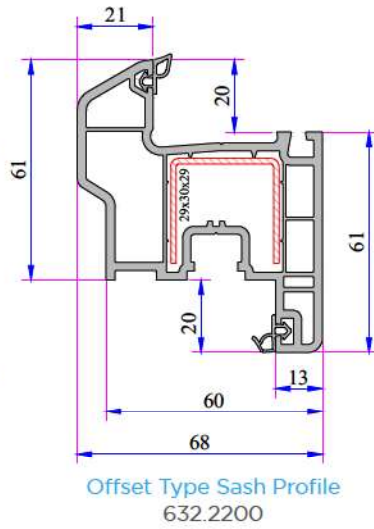
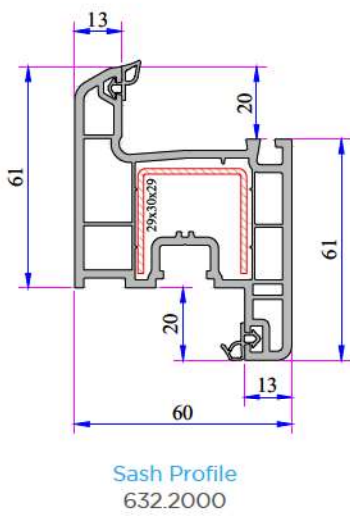
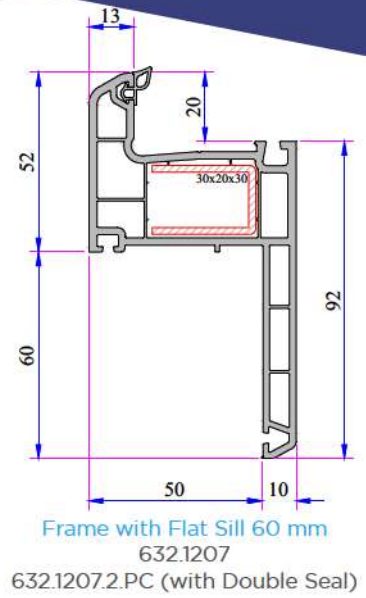
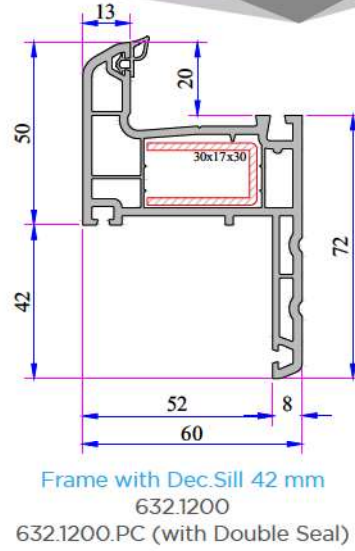
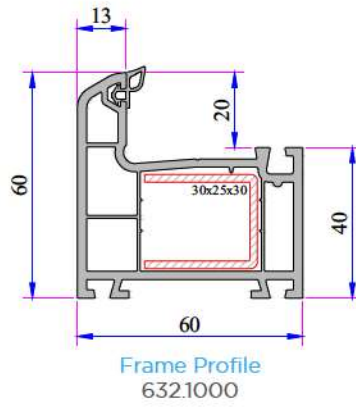
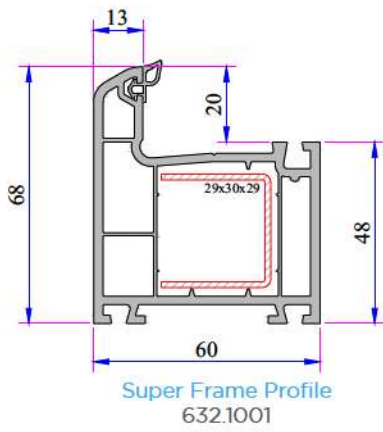
Glass Thickness (mm): 4, 20, 24, 30, 32 mm

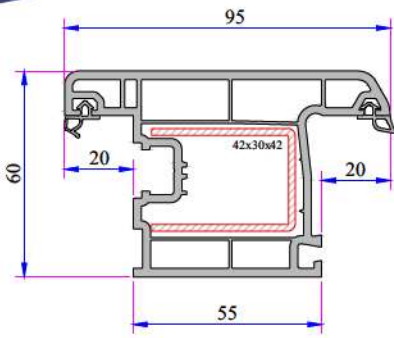
The thermal insulation Uf: 1,58 W/m²K

INSTRUCTION

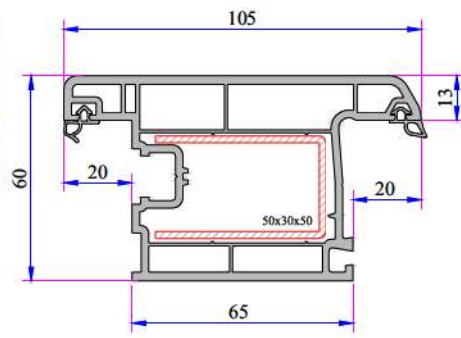
- The main profile has 60 mm width.
- Because of the elastic grey and black seal which does not leave any stain on profiles will be provided maximum air, water, dust and sound isolation.
- Due to the 3 chambers profiles, it has maximum performance for thermal, sound and water isolation.
- It is a series of profiles with very special design that provides maximum wind resistance on high rise buildings.
- Excluding normal sash profile there is also chance to have a choice for offset type sash profile.
- In addition to white profile a different laminated color range is available.
- 4-5 mm single glazing application of 20, 24, 30, 32 mm glazing beads give us alternatives of using double, triple glazing and panels.
- It provides the visual integrity in the inner surface and the frame-wall connections due to integrated frame with sill profile.

W 630 - W 632 SERIES PVC PROFILE SYSTEM

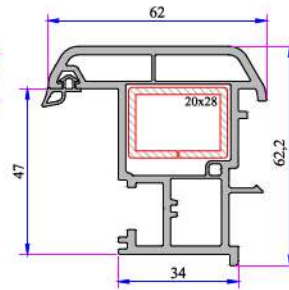




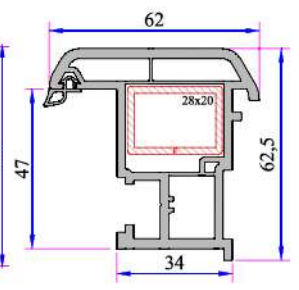
Outward Opening Eco Door Sash Profile
632.2108



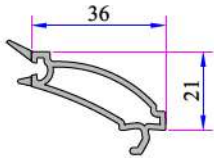
Outward Opening Door Sash Profile
632.2101



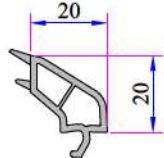
Lap Joint Profile
632.3104



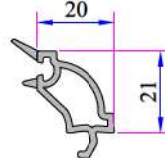
Lap Joint Profile
632.3100



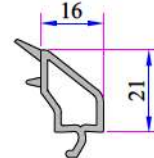
Single Glazing Bead 4-6 mm
101.4002



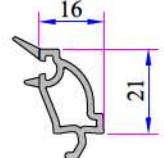
Double Glazing Bead 20 mm
101.4100



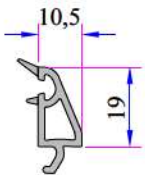
Double Glazing Bead 20 mm
101.4102



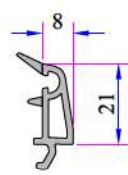
Double Glazing Bead 24 mm
750.4500



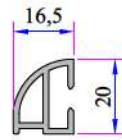
Double Glazing Bead 24 mm
101.4202



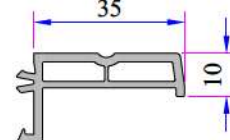
Double Glazing Bead 30 mm
332.4100



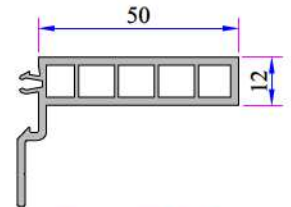
Double Glazing Bead 32 mm
101.4500



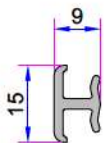
Offset Profile
900.6307



Frame Sill Profile (35mm)
099.5523



Frame Sill Profile (50mm)
099.5524



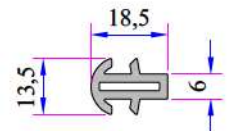
Universal Short Coupling Profile
099.5004



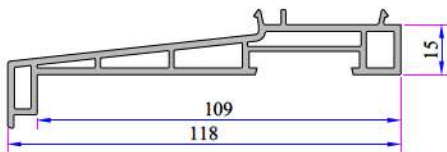
Universal Large Coupling Profile Cover
058.5707



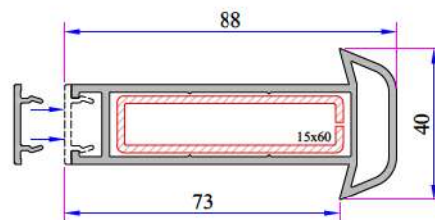
Narrow Couple Profile
060.5001



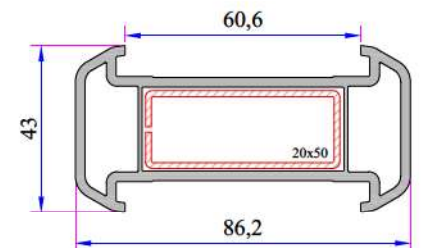
Short Coupling Profile
099.5003



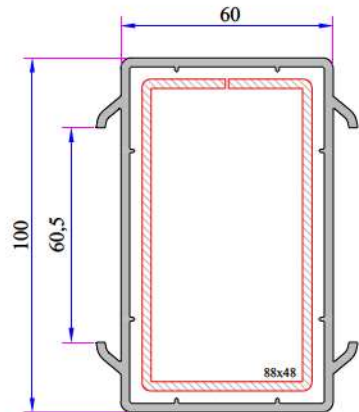
Sill Profile
058.5504



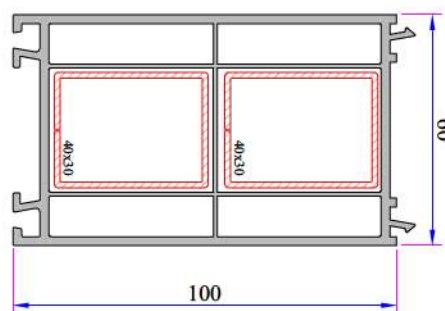
Universal Large Coupling Profile
058.5000



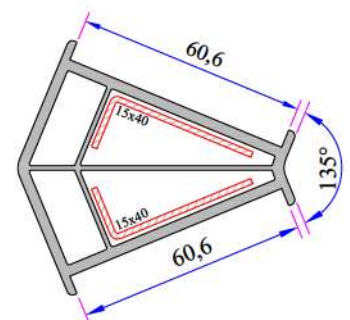
Large Coupling Profile
060.5000



60x100 Spiked Box Profile
060.5203 0

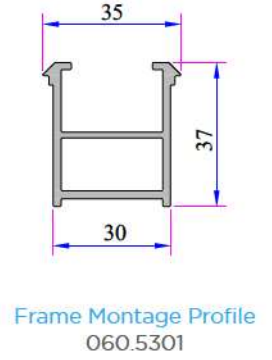
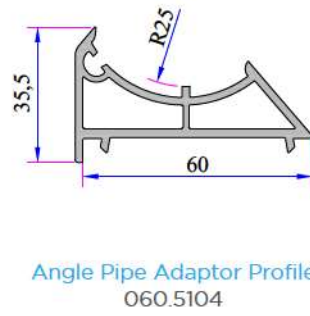
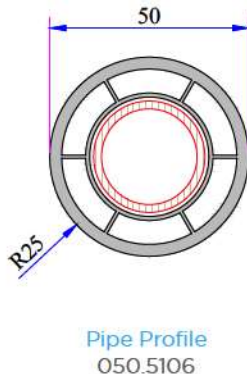
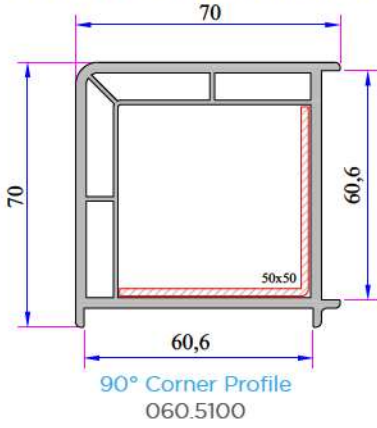


60x100 Frame Lifting Profile
900.5303

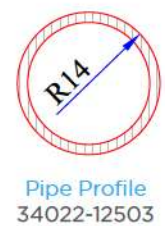
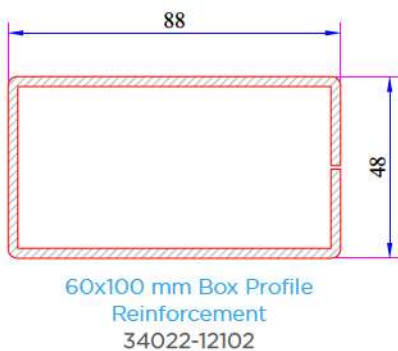
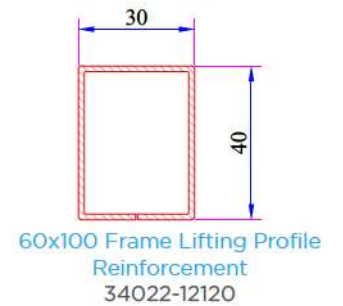
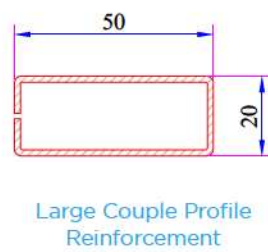
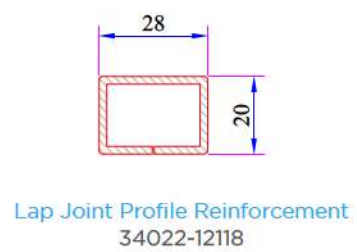
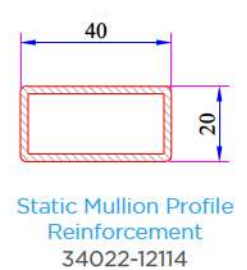
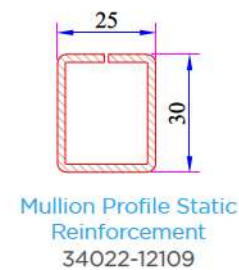
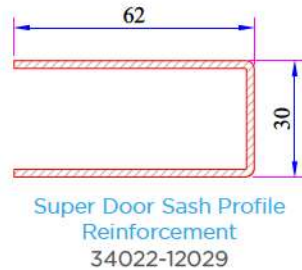
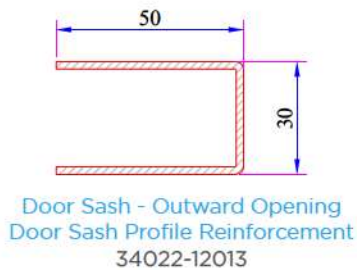
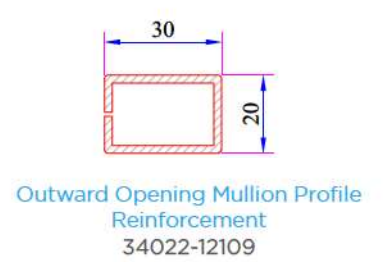
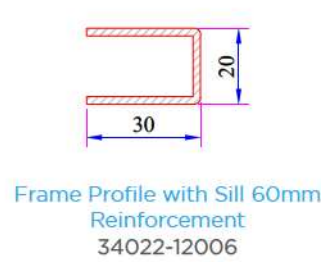
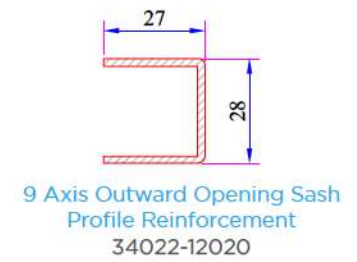
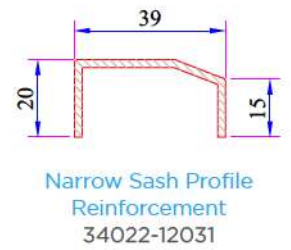
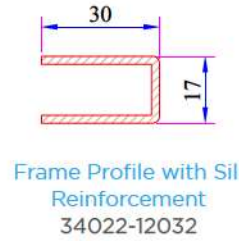
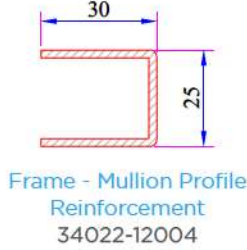
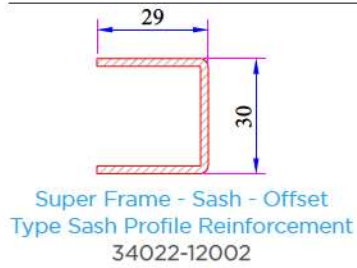


135° Corner Profile
060.5102

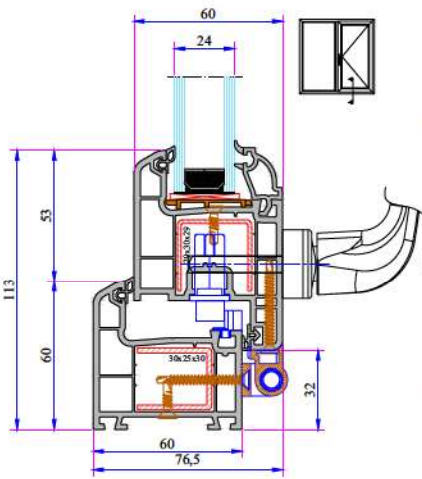
W 630 - W 632 SERIES PVC PROFILE SYSTEM



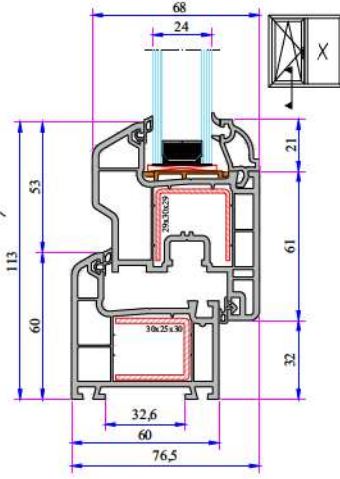
W 632 Re-Inforcement Profiles



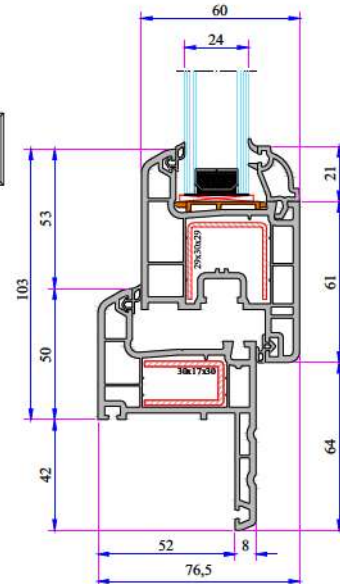
W 632 Installation



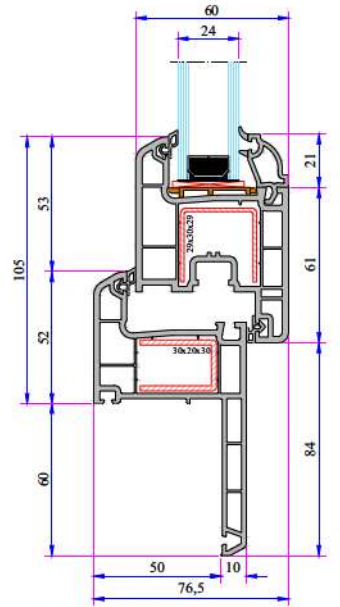
Frame - Sash Installation



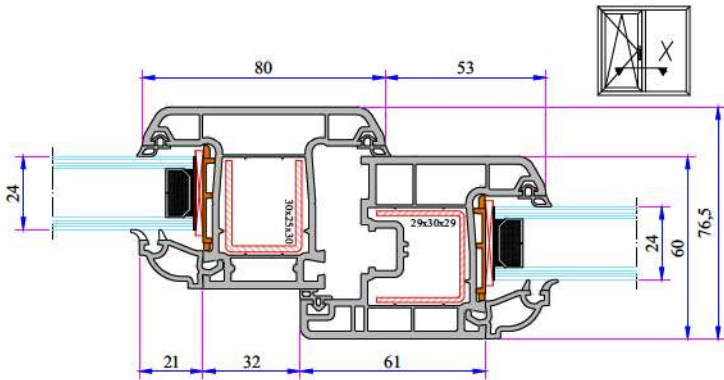
Frame - Offset Type Sash Installation



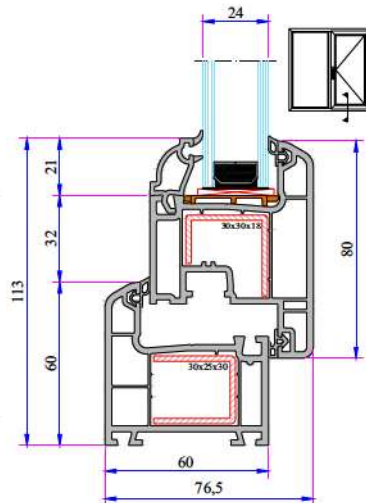
Frame with Sill - Sash Installation



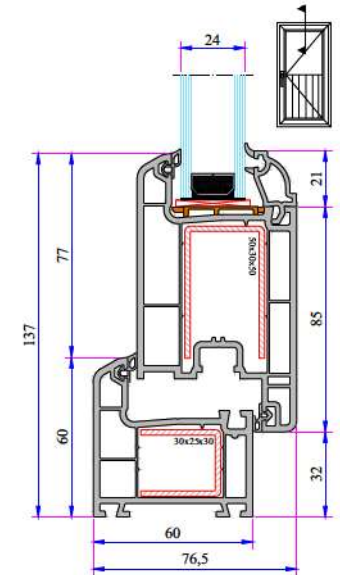
Frame with Sill (60mm) - Sash Installation



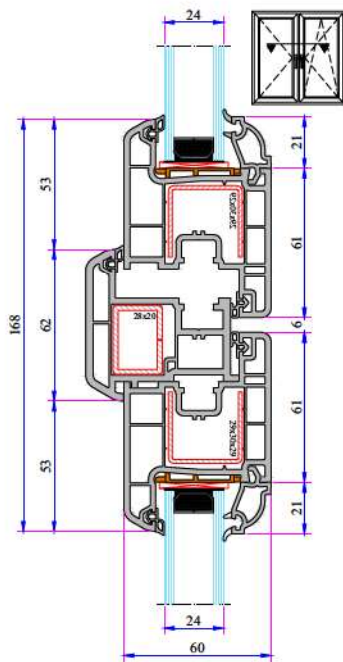
Mullion - Sash Installation



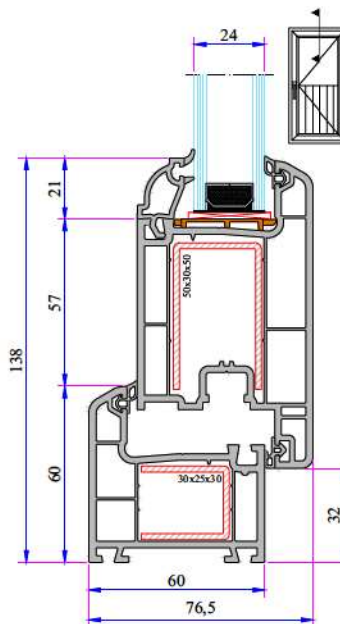
Frame - Outward Opening Sash Installation



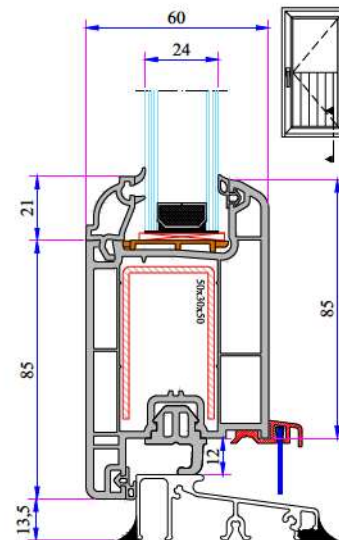
Frame - Door Sash Installation



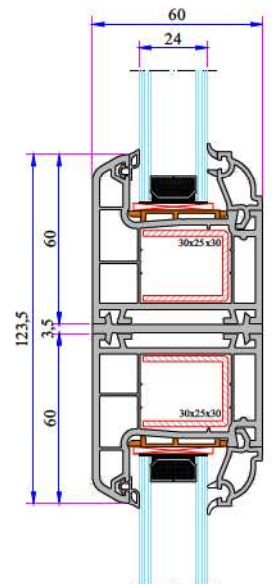
Sash - Lap Joint - Sash Installation



Frame - Outward Opening Door Sash Installation

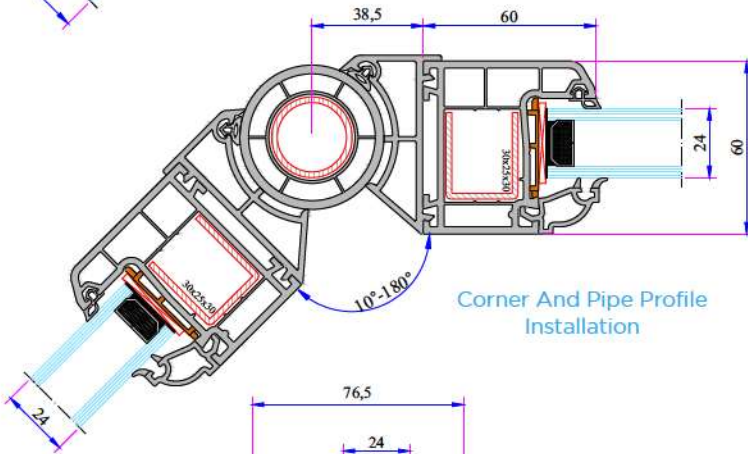
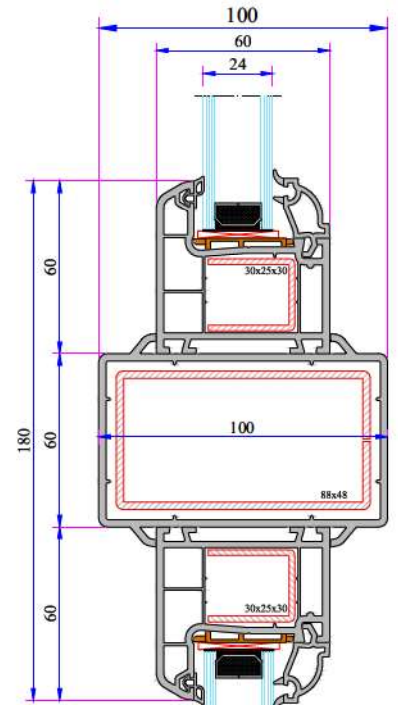
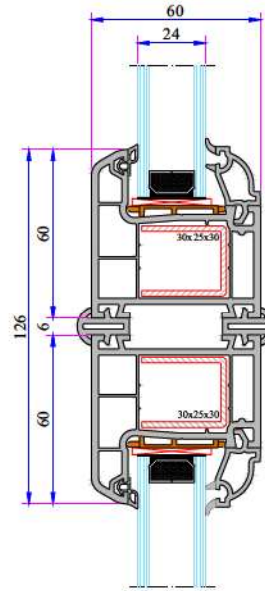
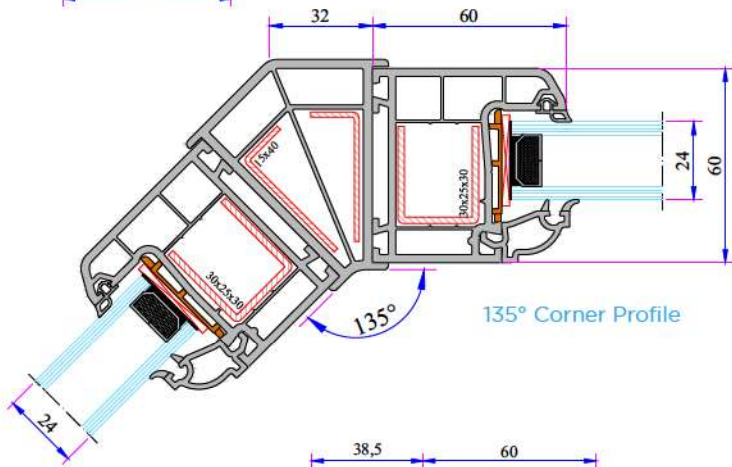
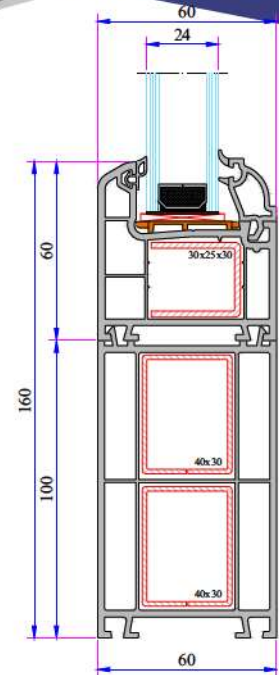
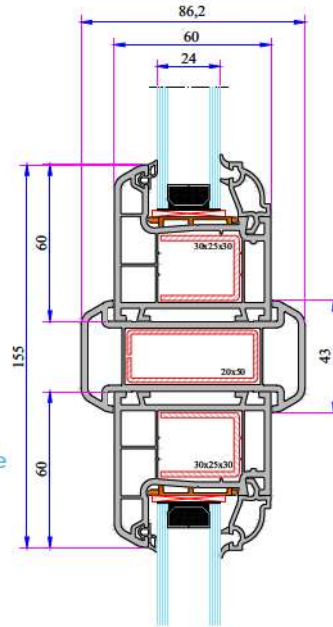
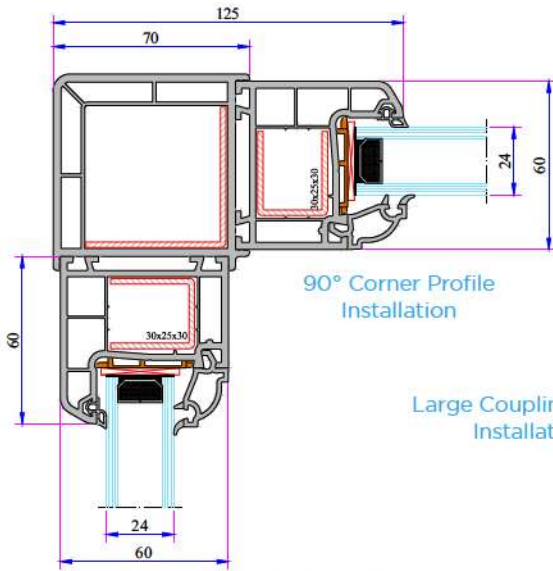


With Aluminium Threshold Frame Door Sash Installation



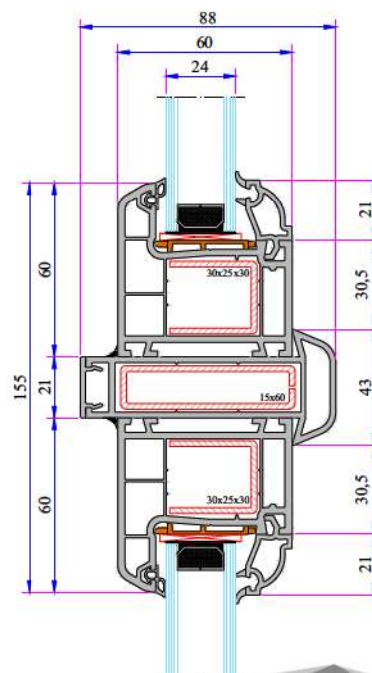
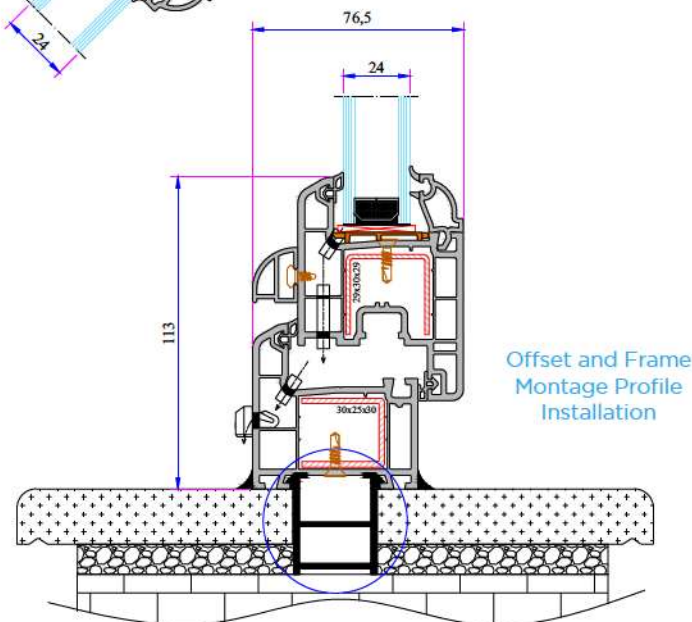
Narrow Coupling Profile Installation

W 630 - W 632 SERIES PVC PROFILE SYSTEM

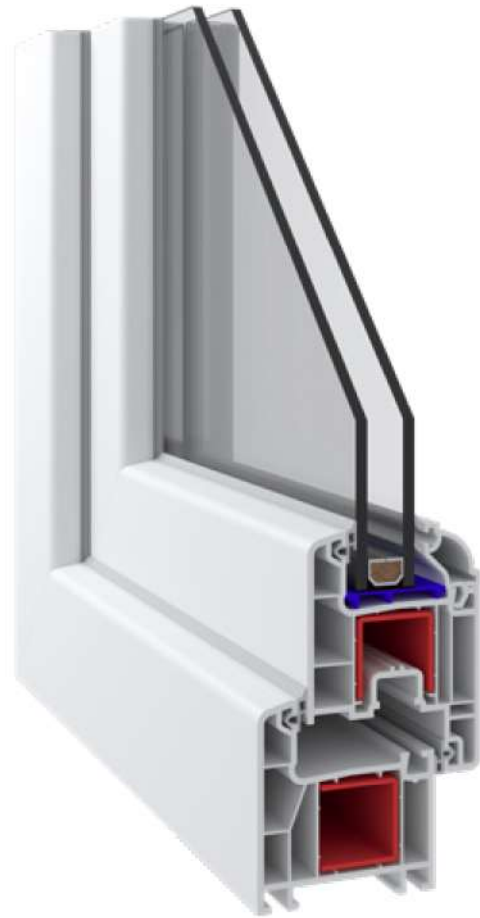
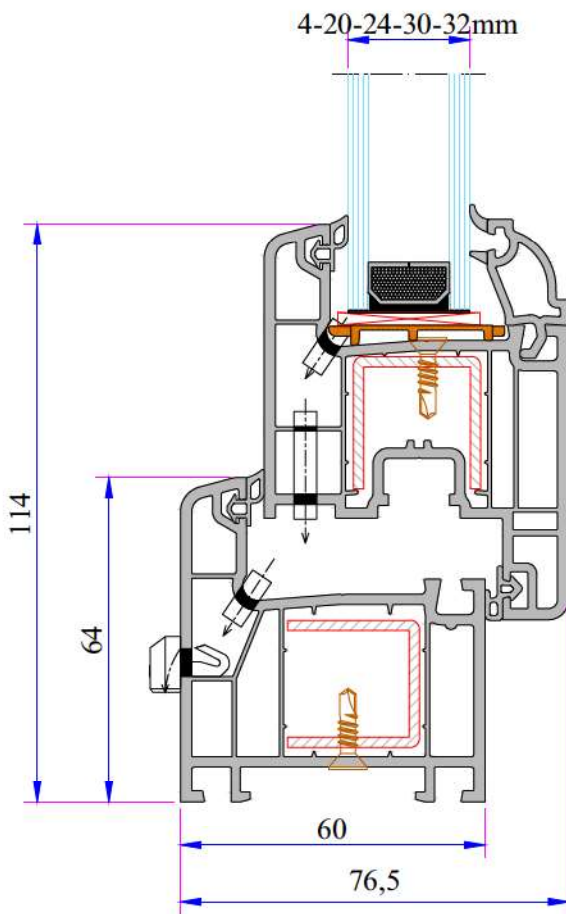


Short Coupling Profile Installation

60x100 Box Profile Installation



Universal Large Coupling Profile Installation



TECHNICAL

W 624 SERIES

Profile Width: 60 mm

Number of chambers: 4

Profile Class: C Class (TS EN 12608-1)

Seal Type: External / Internal double seal system

Seal Type and Color: TPE - Grey /Black

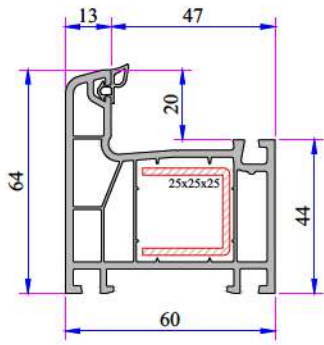
Glass Thickness (mm): 4, 20, 24, 30, 32 mm

The thermal insulation Uf: 1,45 W/m²K

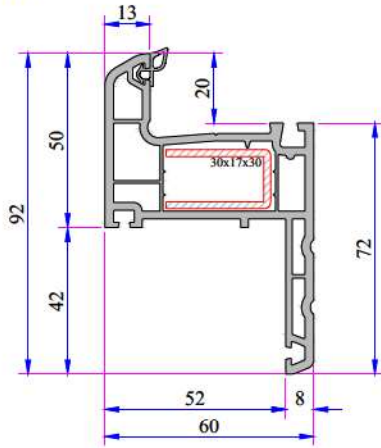
INSTRUCTION

- The main profile has 60 mm width.
- Because of the elastic grey and black seal which does not leave any stain on profiles will be provided maximum air, water, dust and sound isolation.
- Due to the 4 chambers profiles, it has maximum performance for thermal, sound and water isolation.
- It is a series of profiles with very special design that provides maximum wind resistance on high rise buildings.
- Excluding normal sash profile there is also chance to have a choice for offset type sash profile.
- In addition to white profile a different laminated color range is available.
- 4-5 mm single glazing application of 20, 24, 30, 32 mm glazing beads give us alternatives of using double, triple glazing and panels.

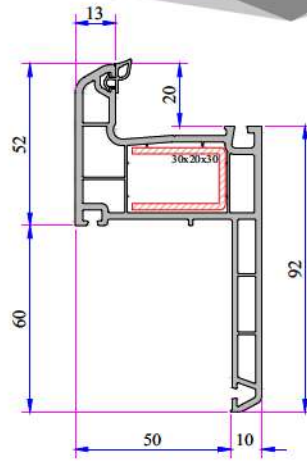
W 624 SERIES PVC PROFILE SYSTEM



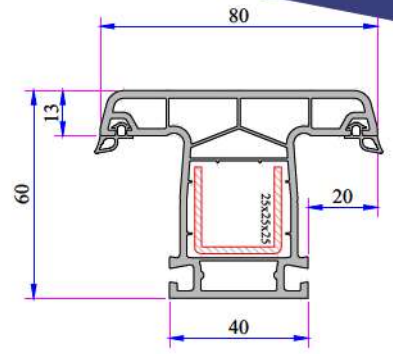
Frame Profile
624.1000



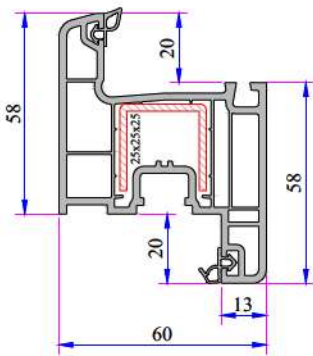
Frame with Dec.Sill
42 mm
632.1200
632.1200.PC (with Double Seal)



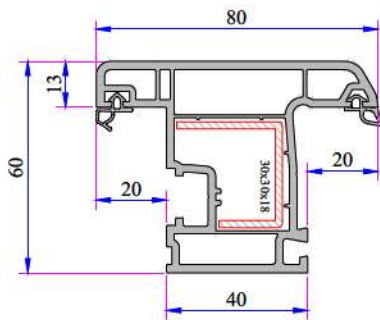
Frame with Flat Sill 60 mm
632.1207
632.1207.PC (with Double Seal)



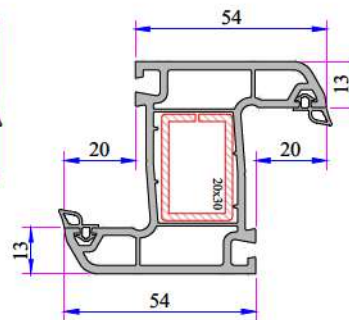
Mullion Profile
624.3000



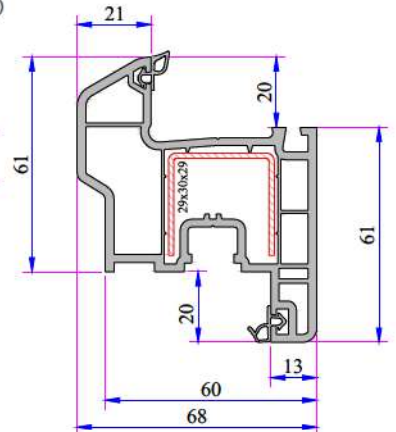
Sash Profile
624.2000



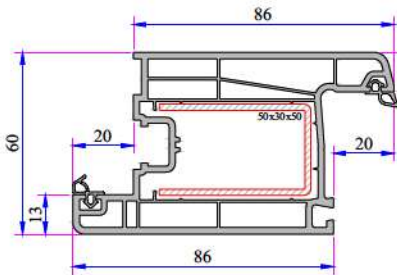
Outward Opening Sash Profile
632.2014



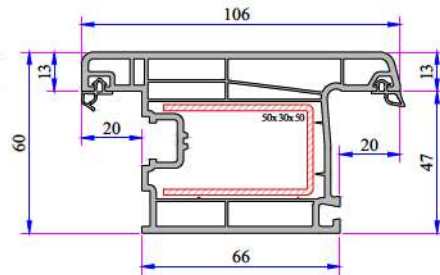
Outward Opening
Mullion Profile
632.3005



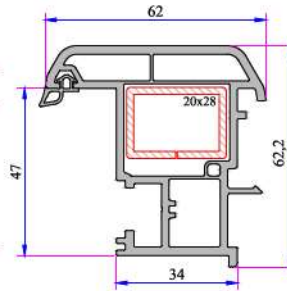
Offset Type Sash Profile
632.2200



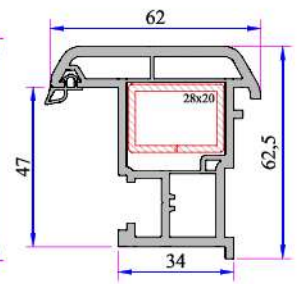
Door Sash Profile
624.2100



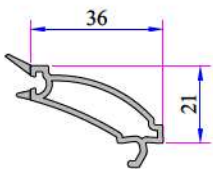
Outward Opening Door Sash Profile
624.2101



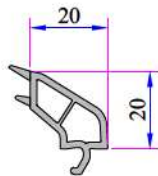
Lap Joint Profile
632.3104



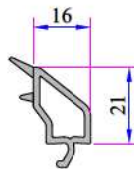
Lap Joint Profile
632.3100



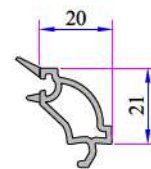
Single Glazing
Bead 4-6 mm
101.4002



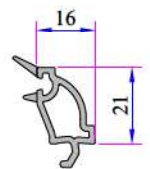
Double Glazing
Bead 20 mm
101.4100



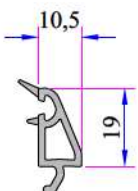
Double Glazing
Bead 24 mm
750.4500



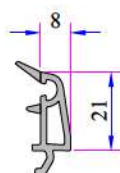
Double Glazing
Bead 20 mm
101.4102



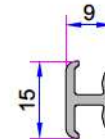
Double Glazing
Bead 24 mm
101.4202



Triple Glazing Bead
30 mm
332.4100

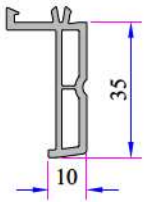


Triple Glazing Bead
32 mm
101.4500

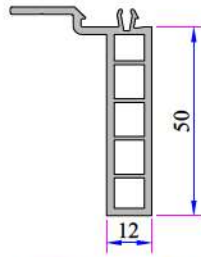


Universal Short Coupling
Profile
099.5004

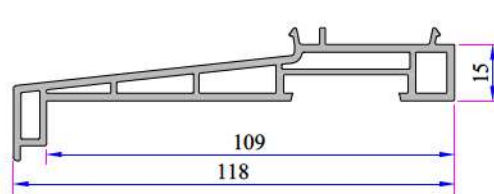
W 624 SERIES PVC PROFILE SYSTEM



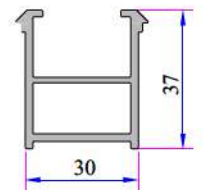
Frame Sill Profile (35mm)
099.5523



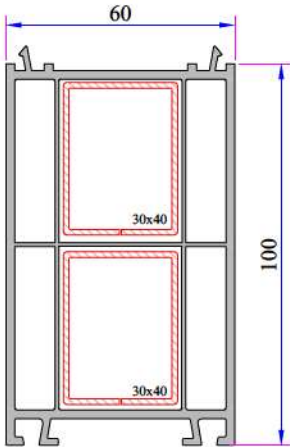
Frame Sill Profile (50mm)
099.5524



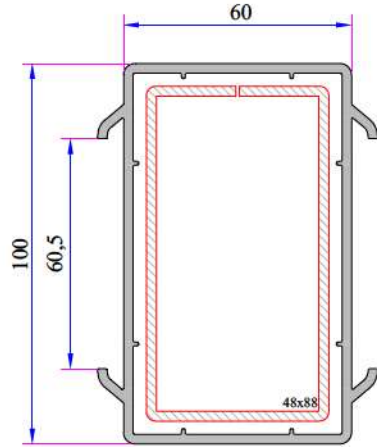
Sill Profile
058.5504



Frame Montage Profile
060.5301



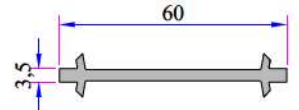
60x100 Frame
Lifting Profile
900.5303



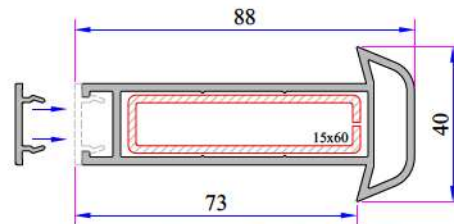
60x100 Spiked Box Profile
060.5203



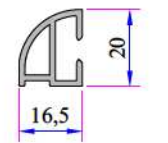
Universal Large Coupling
Cover Profile
058.5707



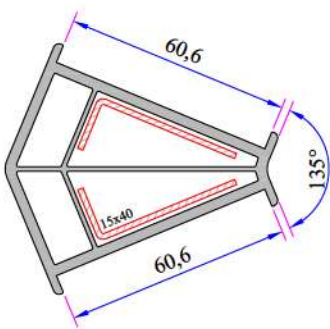
Narrow Coupling Profile
060.5001



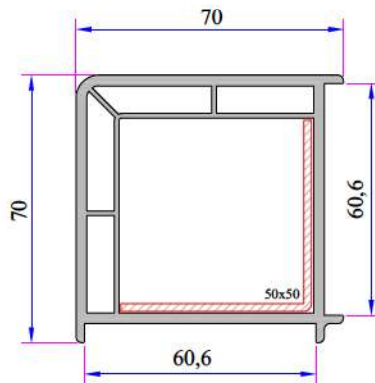
Universal Large Coupling Profile
058.5000



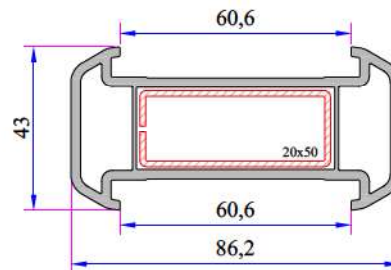
Offset Profile
900.6307



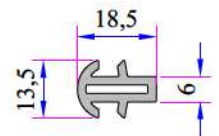
135° Corner Profile
060.5102



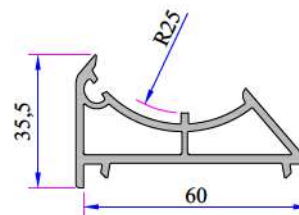
90° Corner Profile
060.5100



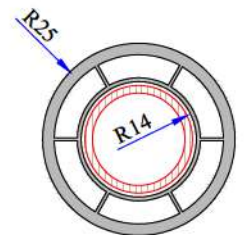
Large Coupling Profile
060.5000



Short Coupling Profile
099.5003

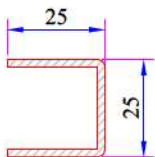


Angle Pipe Adaptor Profile
060.5104

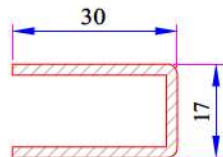


Pipe Profile
050.5106

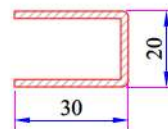
W 624 Re-Inforcement Profiles



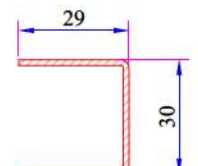
Frame - Mullion - Sash - Profile
Reinforcement
34022-12003



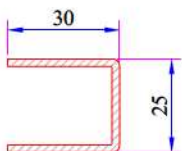
Frame Profile with Sill
Reinforcement
34022-12032



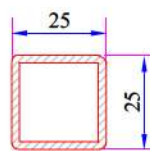
Frame Profile with Sill 60mm
Reinforcement
34022-12006



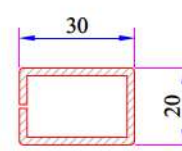
Offset Type Sash Profile
Reinforcement
34022-12002



Mullion Profile
Reinforcement
34022-12004

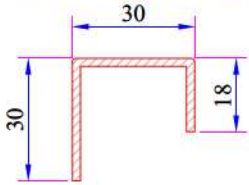


Mullion Profile Static
Reinforcement
34022-12122

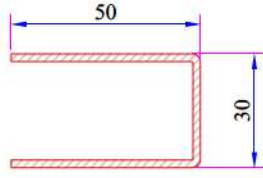


Outward Opening
Mullion Profile
Reinforcement
34022-12109

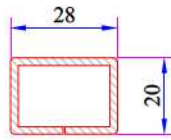
W 624 SERIES PVC PROFILE SYSTEM



22 Axis. Outward Opening Sash Profile Reinforcement
34022-12022



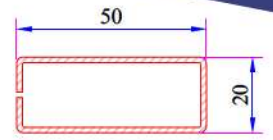
Door Sash - Outward Opening Door Sash Profile Reinforcement
34022-12013



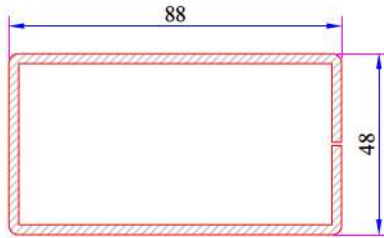
Lap Joint Profile Reinforcement
34022-12118



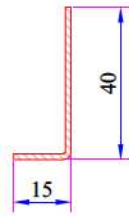
Universal Large Coupling Profile Reinforcement
34022-12123



Large Couple Profile Reinforcement
34022-12105



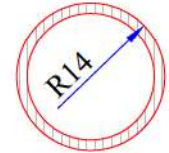
60x100 mm Box Profile Reinforcement
34022-12102



135° Corner Profile Reinforcement
34022-12301



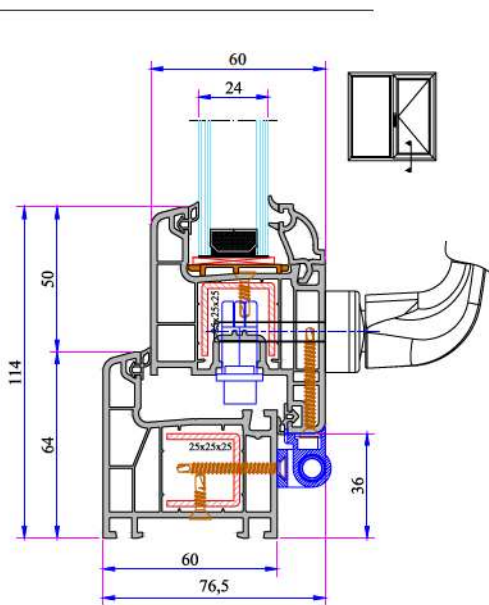
90° Corner Profile Reinforcement
34022-12302



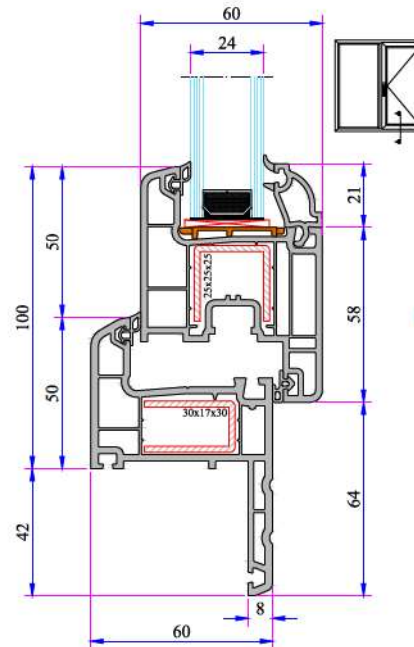
Pipe Profile Reinforcement
34022-12503

W 624 Installation

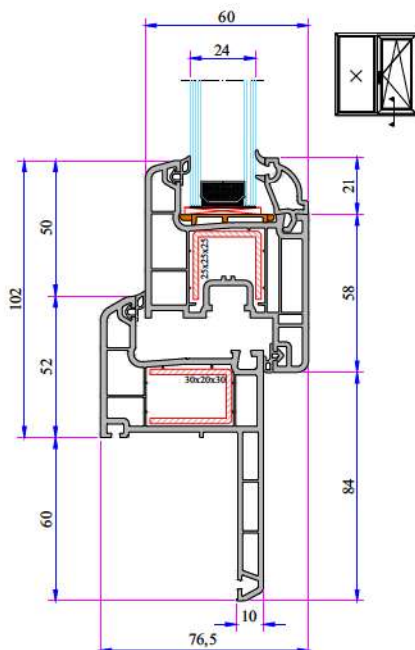
Frame - Sash Installation



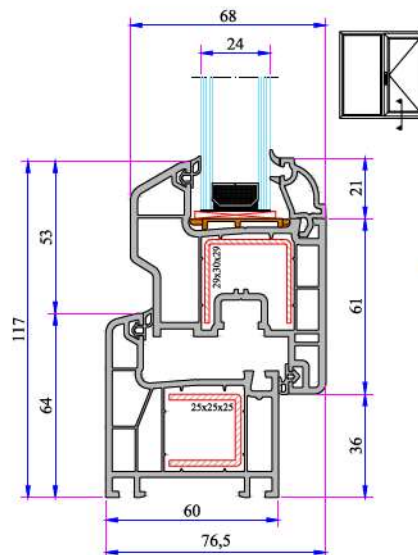
Frame with Sill - Sash Installation

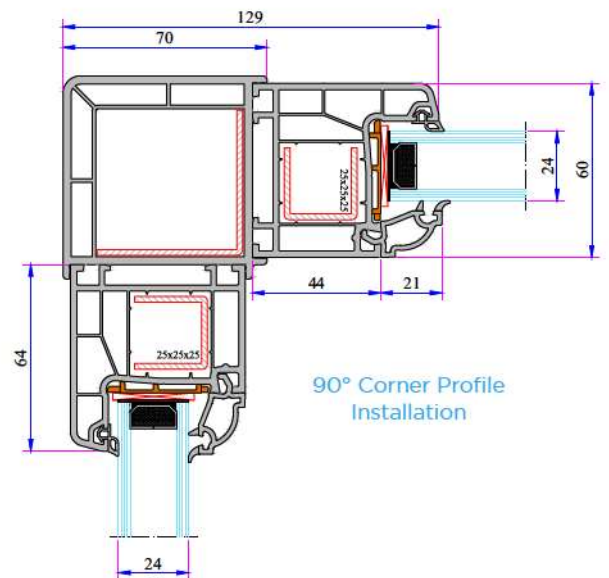
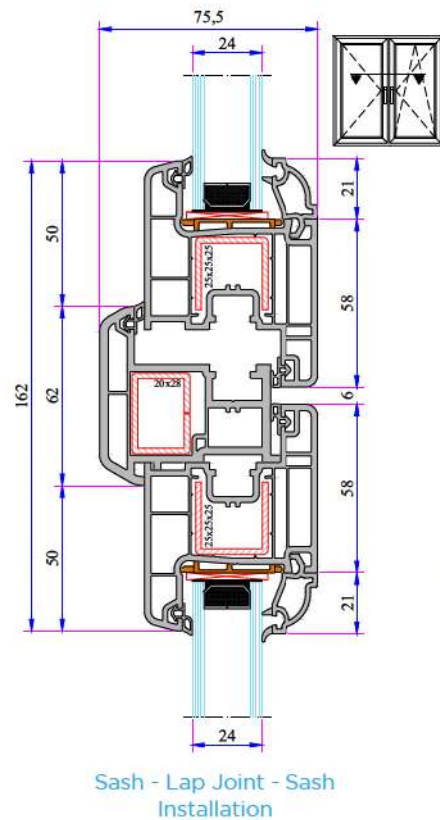
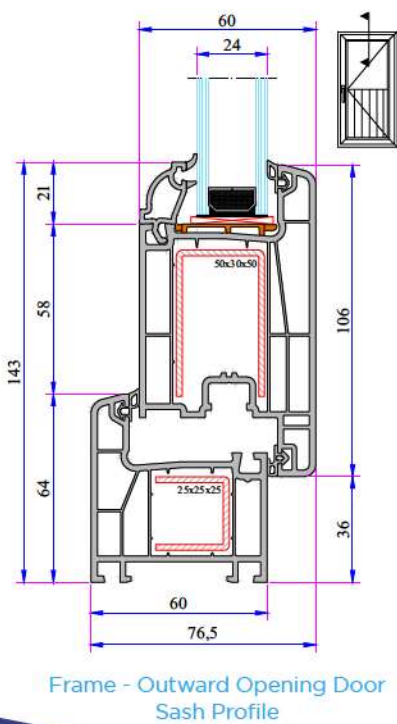
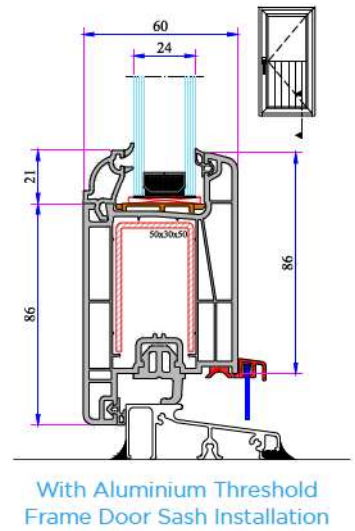
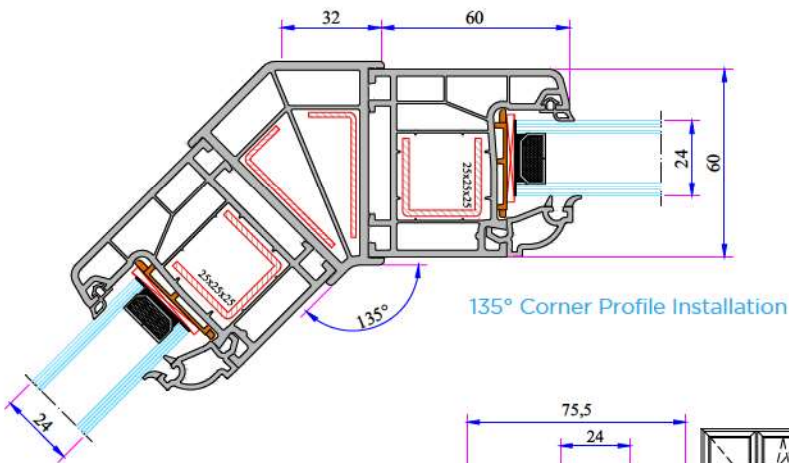
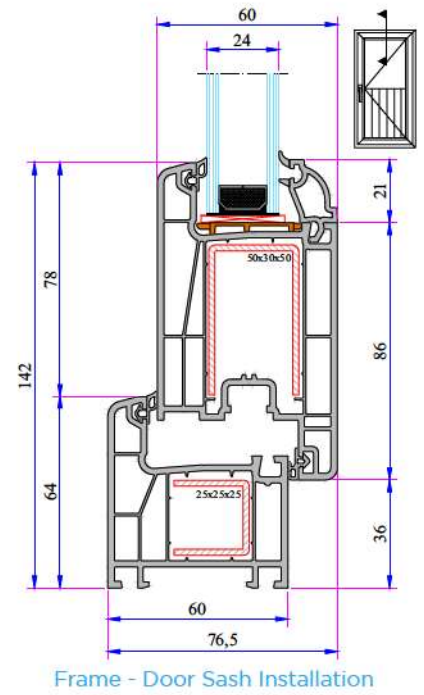
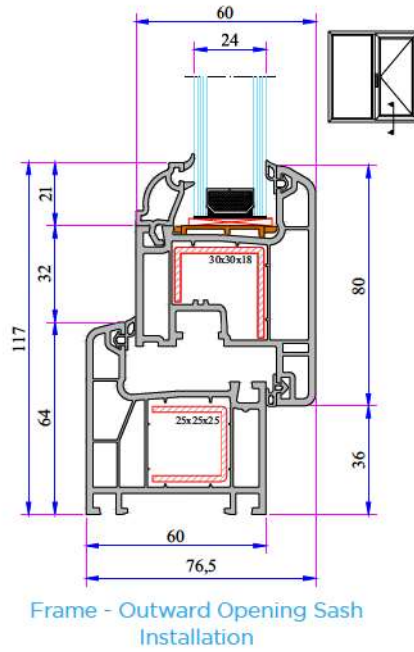
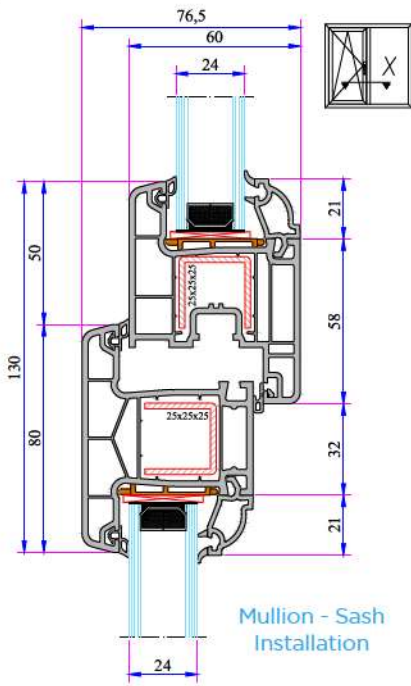


Frame with Sill (60mm) - Sash Installation

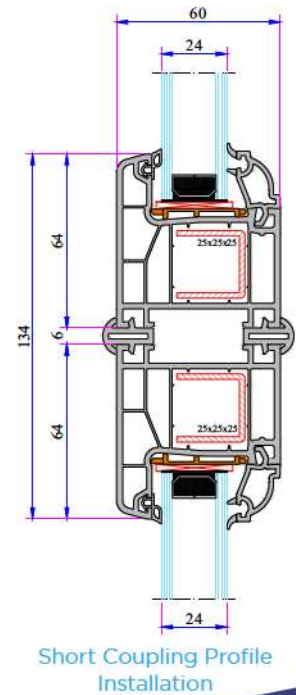
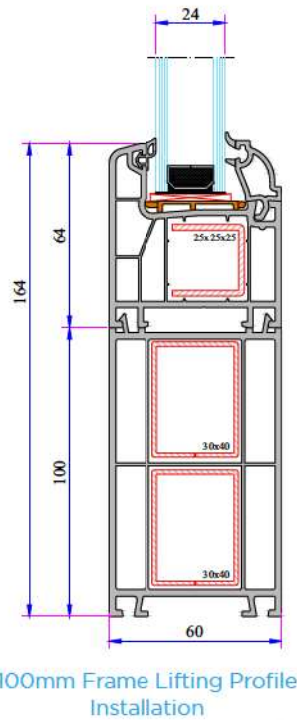
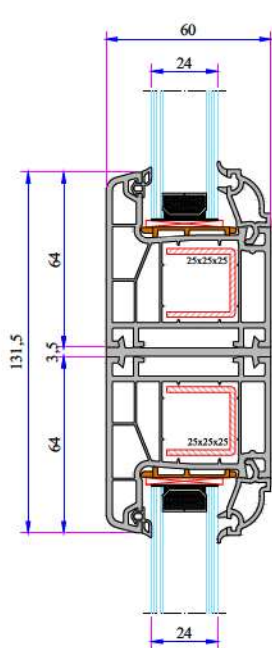
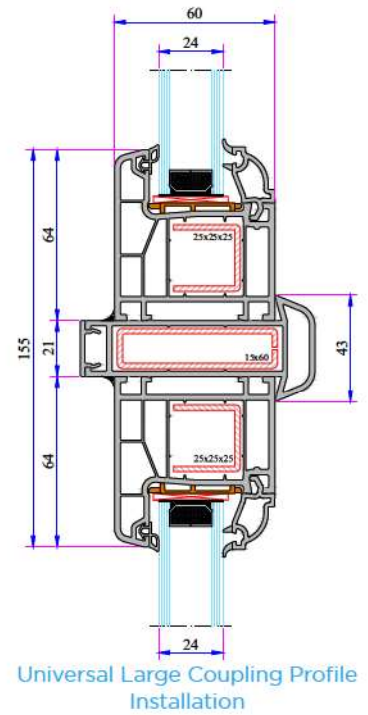
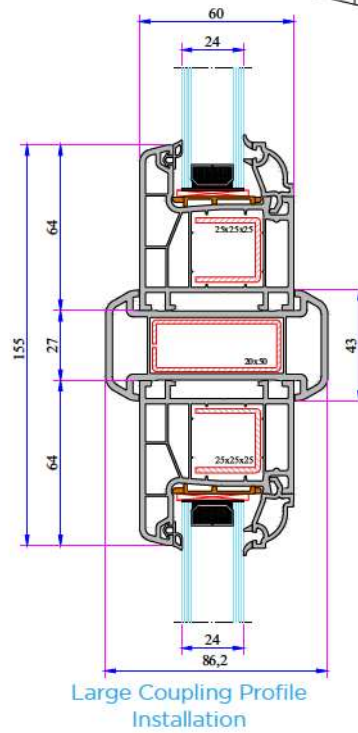
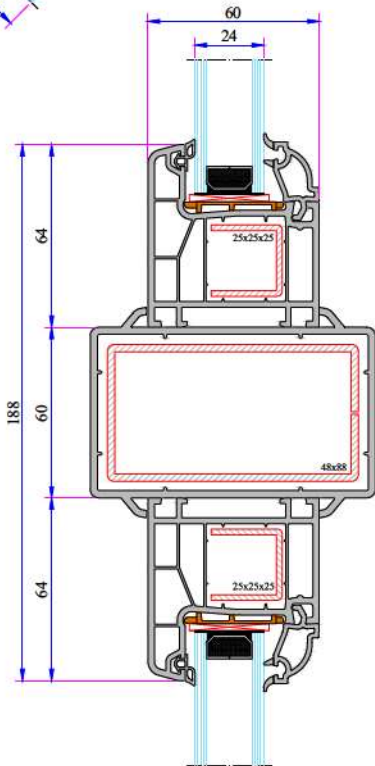
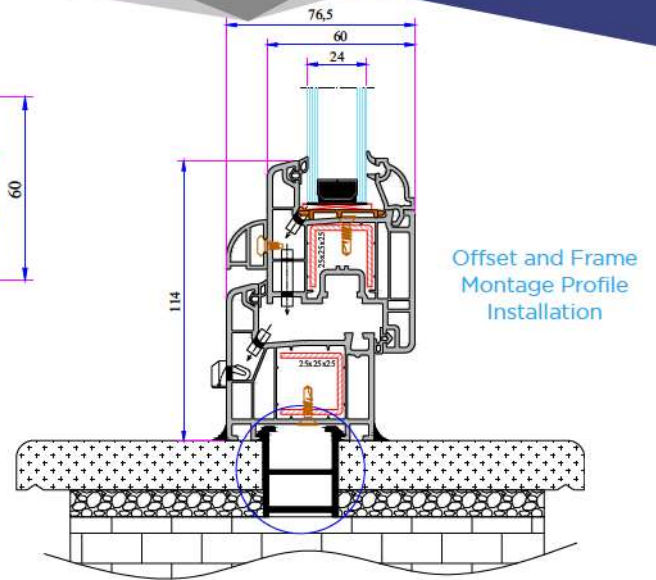
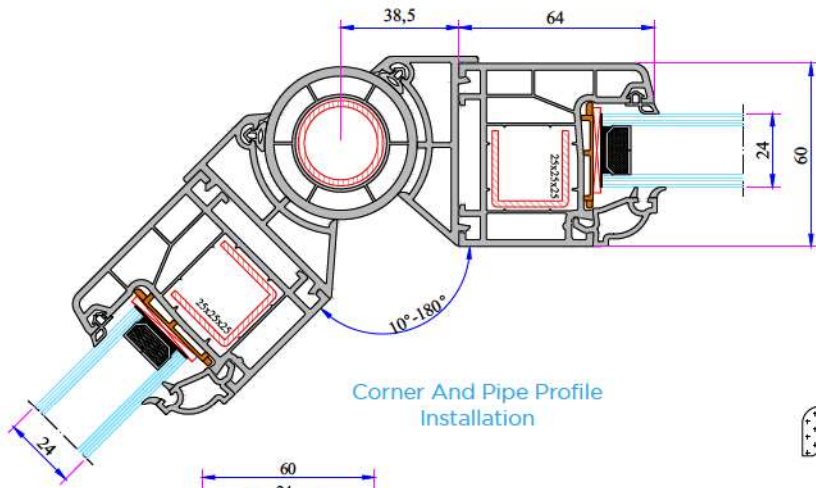


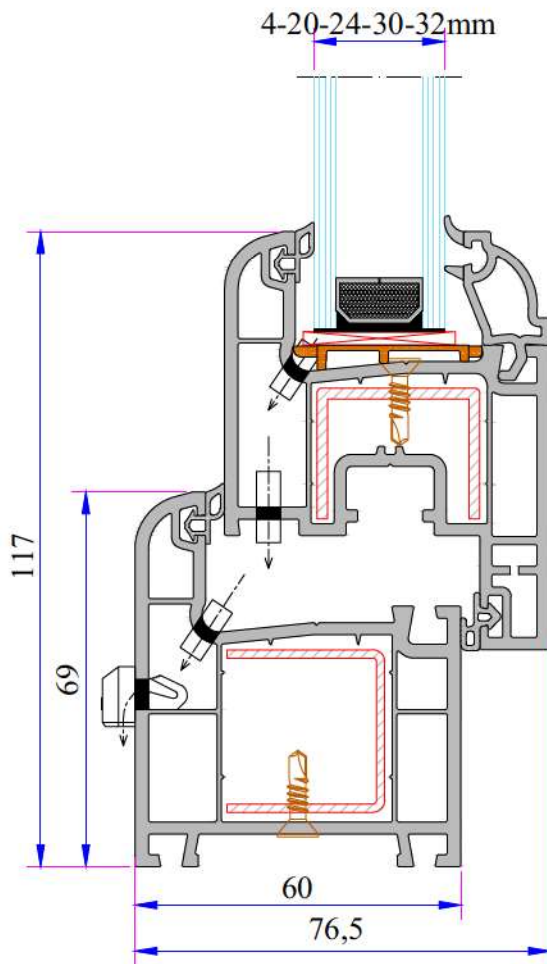
Frame - Offset Type Sash Installation





**W 624 SERIES
PVC PROFILE SYSTEM**





TECHNICAL

WO 60 SERIES (101 SERIES)

Profile Width: 60 mm

Number of chambers: 3

Profile Class: B Class (TS EN 12608-1)

Seal Type: External / Internal double seal system

Seal Type and Color: TPE - Grey / Black

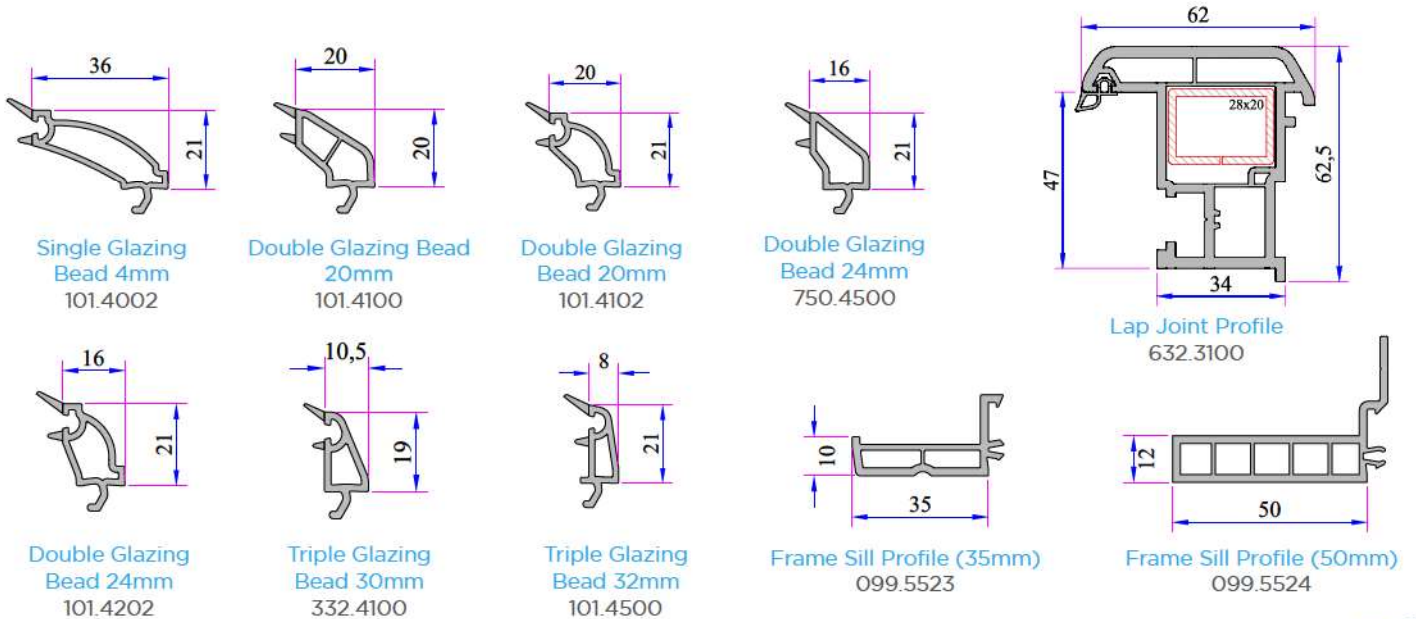
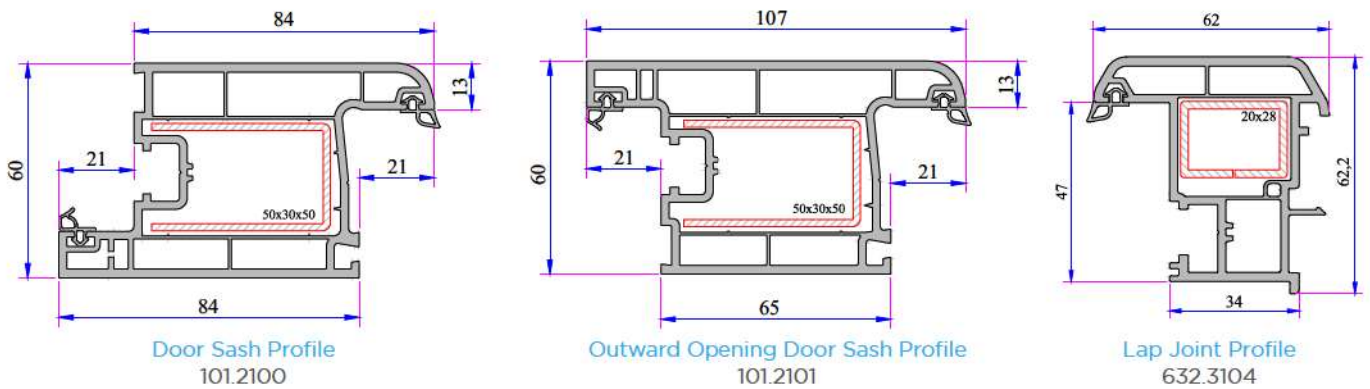
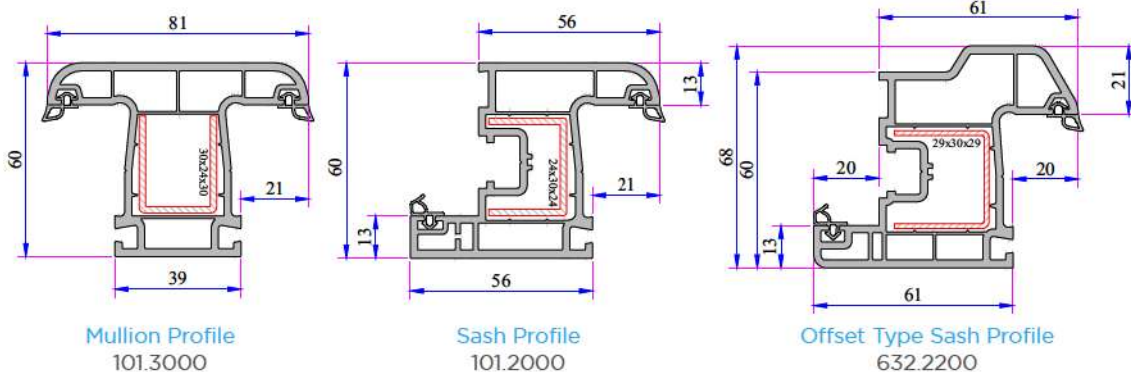
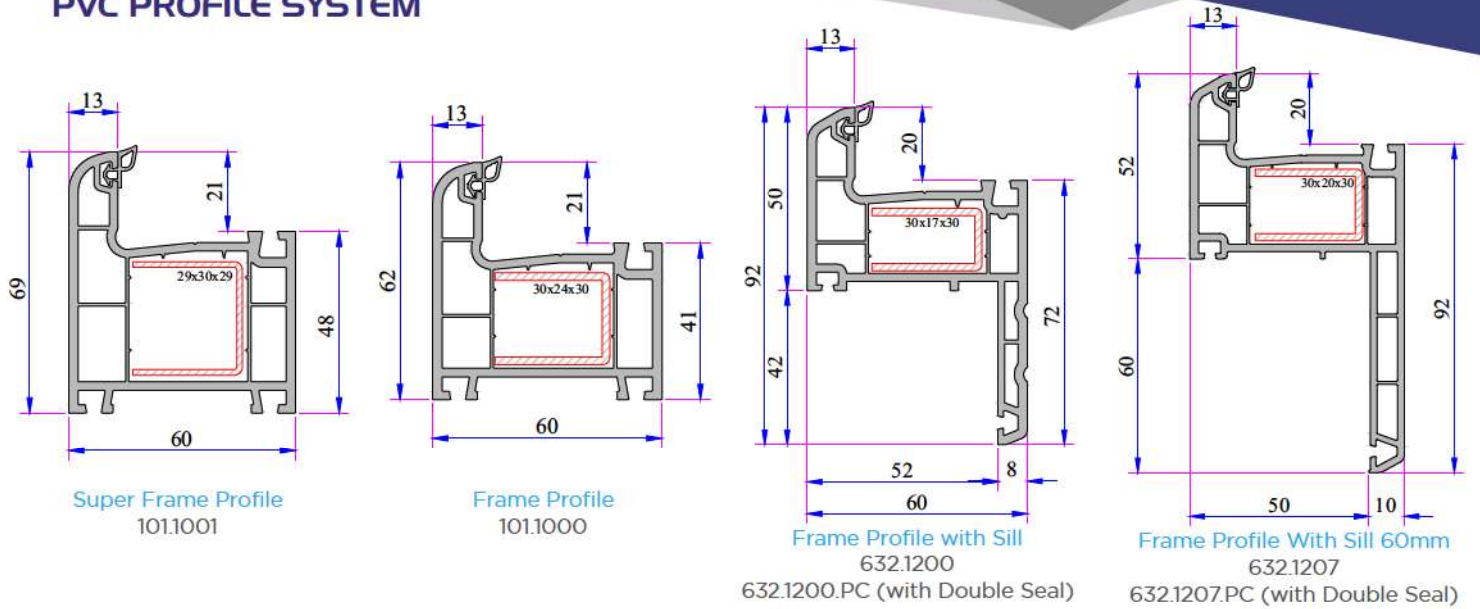
Glass Thickness (mm): 4, 20, 24, 30, 32 mm

The thermal insulation Uf: 1,56 W/m²K

INSTRUCTION

- The main profile has 60 mm width.
- Because of the elastic grey and black seal which does not leave any stain on profiles will be provided maximum air, water, dust and sound isolation.
- Due to the 3 chambers profiles, it has maximum performance for thermal, sound and water isolation.
- It is a series of profiles with very special design that provides maximum wind resistance on high rise buildings.
- Excluding normal sash profile there is also chance to have a choice for offset type sash profile.
- In addition to white profile a different laminated color range is available.
- 4-5 mm single glazing application of 20, 24, 30, 32 mm glazing beads give us alternatives of using double, triple glazing and panels.

WO 60 SERIES PVC PROFILE SYSTEM

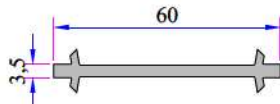


WO 60 SERIES PVC PROFILE SYSTEM

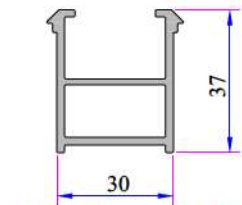


Universal Large Coupling
Cover Profile

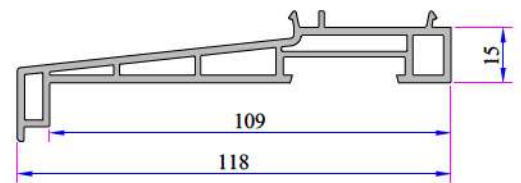
058.5707



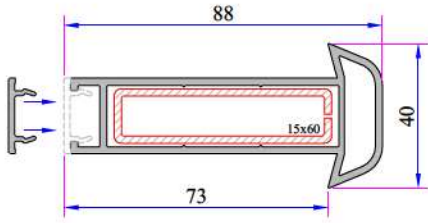
Narrow Coupling Profile
060.5001



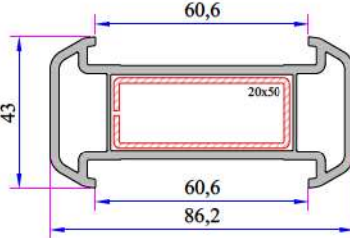
Frame Montage Profile
060.5301



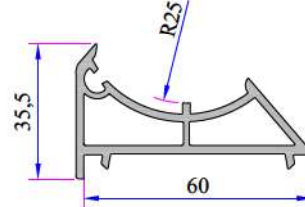
Sill Profile
058.5504



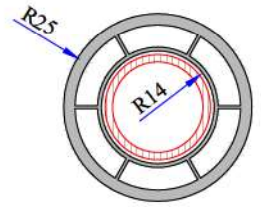
Universal Large Coupling Profile
058.5000



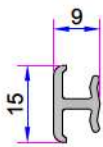
Large Coupling Profile
060.5000



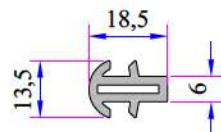
Angle Pipe Adaptor Profile
060.5104



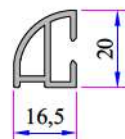
Pipe Profile
050.5106



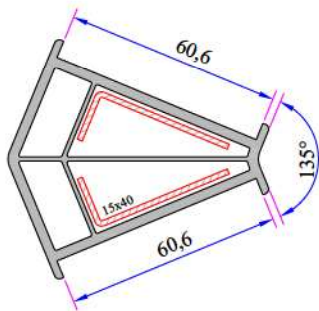
Universal Short Coupling
Profile
099.5004



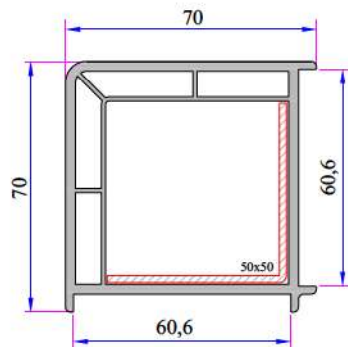
Short Coupling Profile
099.5003



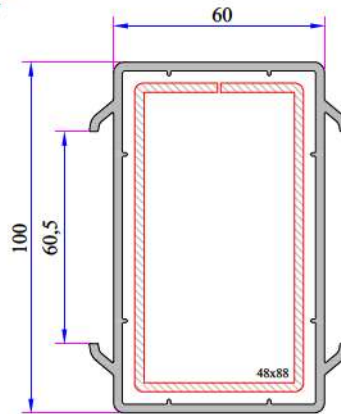
Offset Profile
900.6307



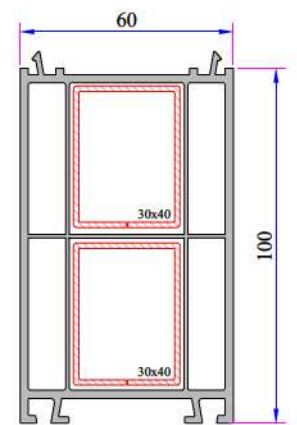
135° Corner Profile
060.5102



90° Corner Profile
060.5100

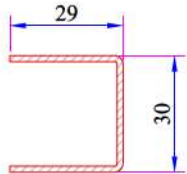


60x100 Box Profile
060.5203

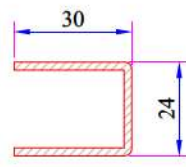


60x100 Frame Lifting Profile
900.5303

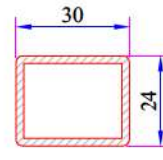
WO 60 Re-Inforcement Profiles



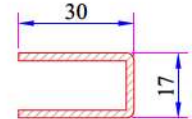
Super Frame - Offset Type Sash
Profile Reinforcement
34022-12002



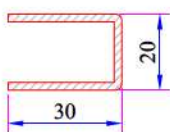
Frame - Mullion Profile
Reinforcement
34022-12004



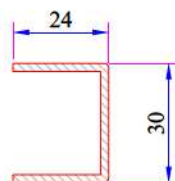
Mullion Profile Static
Reinforcement
34022-12119



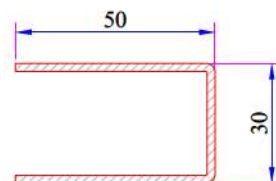
Frame Profile with Sill
Reinforcement
34022-12032



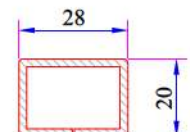
Frame Profile with Sill 60mm
Reinforcement
34022-12006



Sash Profile Reinforcement
34022-12025

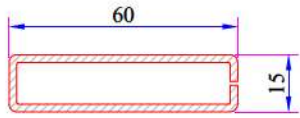


Door Sash- Outward Opening Door
Sash Profile Reinforcement
34022-12013

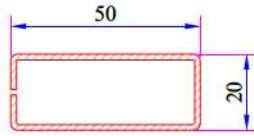


Lap Joint Profile
Reinforcement
34022-12118

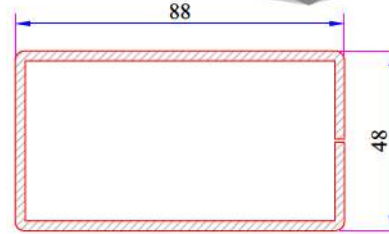
WO 60 SERIES PVC PROFILE SYSTEM



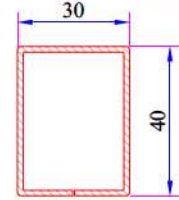
Universal Large Coupling
Profile Reinforcement
34022-12123



Large Couple Profile
Reinforcement
34022-12105

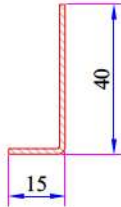


60x100 mm Box Profile
Reinforcement
34022-12102

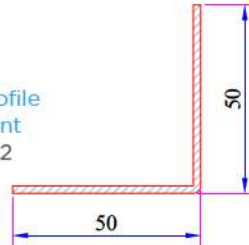


60x100 Frame Lifting Profile
Reinforcement
34022-12120

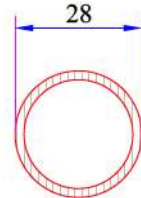
135° Corner Profile
Reinforcement
34022-12301



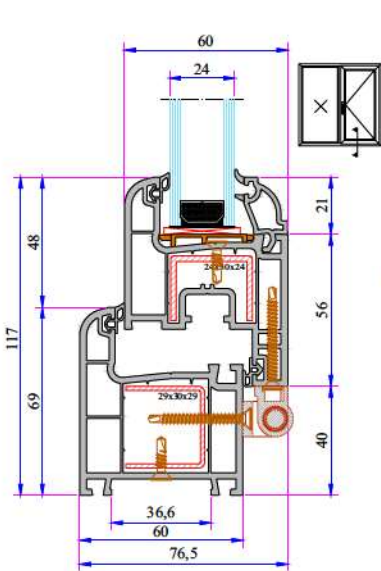
90° Corner Profile
Reinforcement
34022-12302



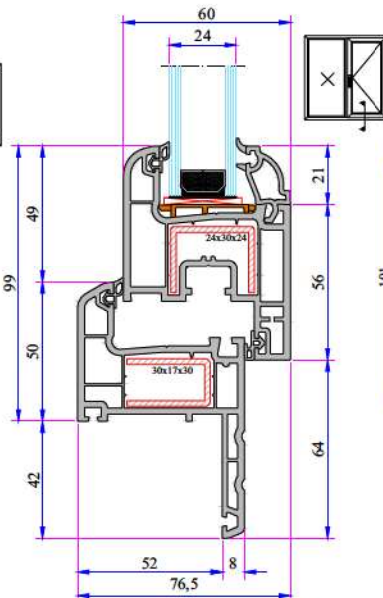
Pipe Profile
Reinforcement
34022-12503



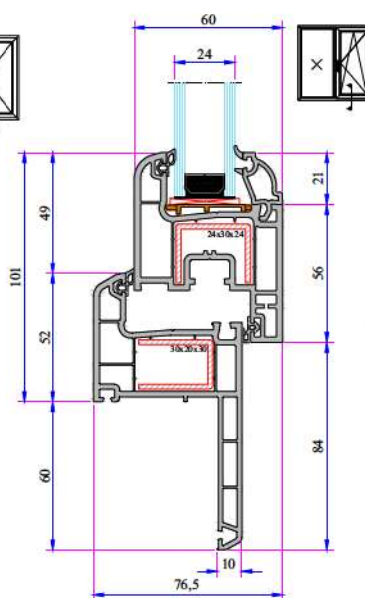
WO 60 Installation



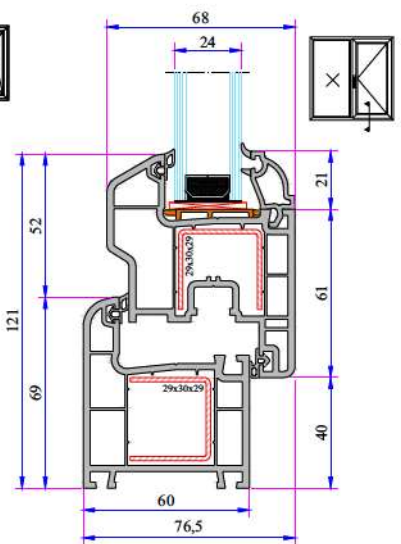
Frame - Sash Installation



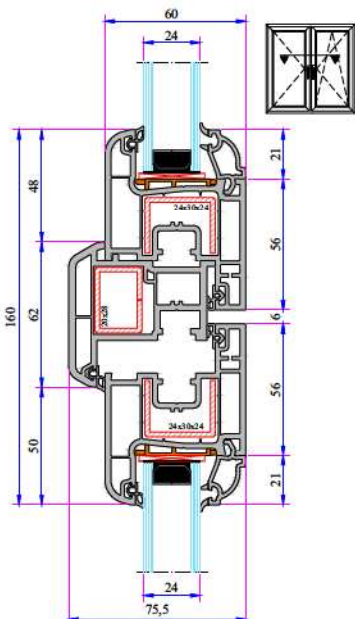
Frame Profile with Sill -
Sash Installation



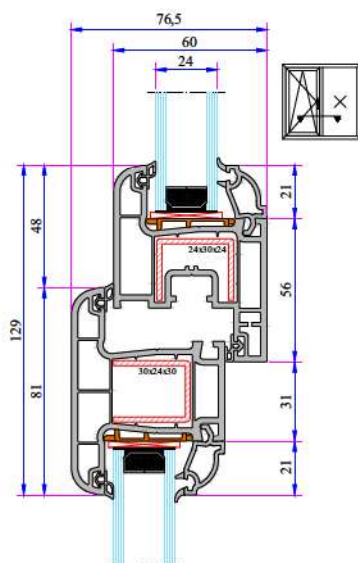
Frame with Sill (60mm) -
Sash Installation



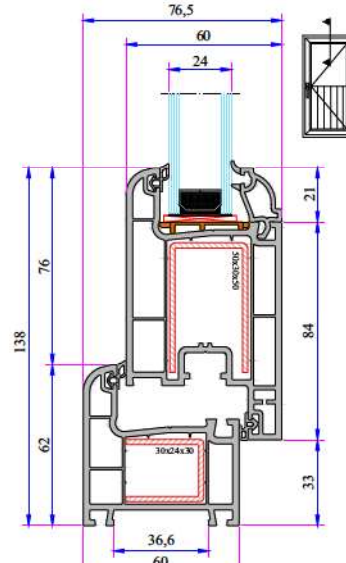
Frame - Offset Type Sash Profile



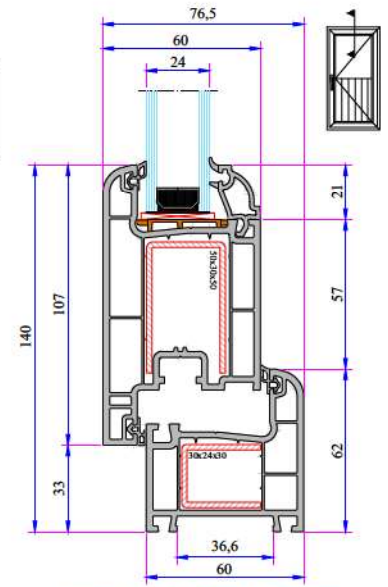
Sash - Lap Joint -
Sash Installation



Mullion - Sash Profile
Installation

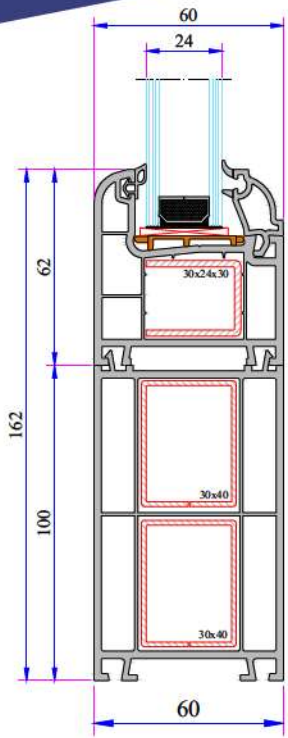


Frame - Door Sash
Installation

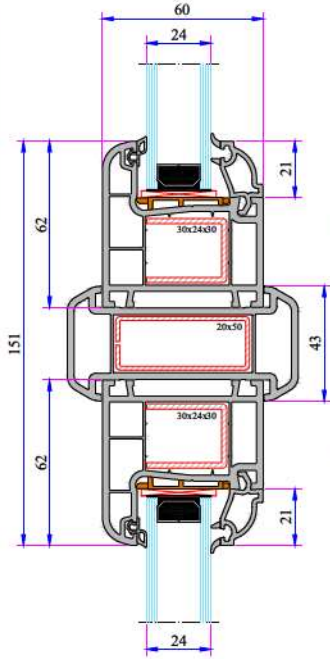


Frame - Outward Opening
Door Sash Installation

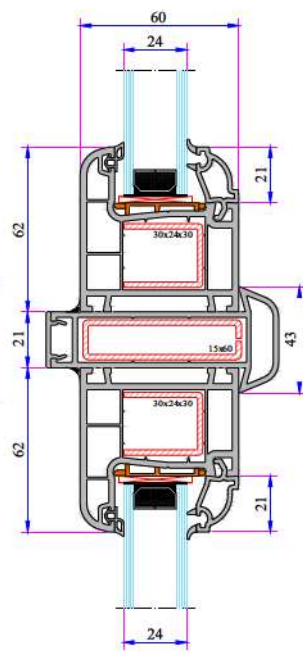
WO 60 SERIES PVC PROFILE SYSTEM



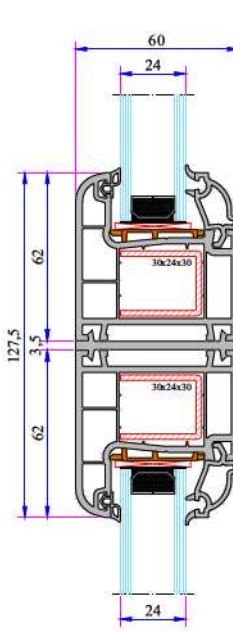
100mm Frame Lifting Profile



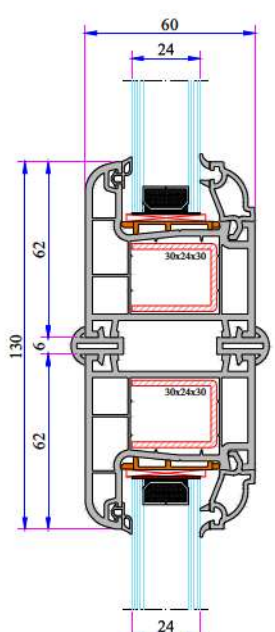
Large Coupling Profile Installation



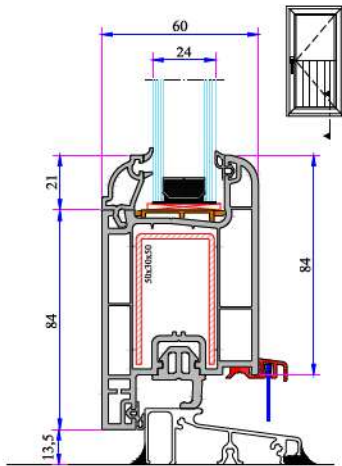
Universal Large Coupling Profile Installation



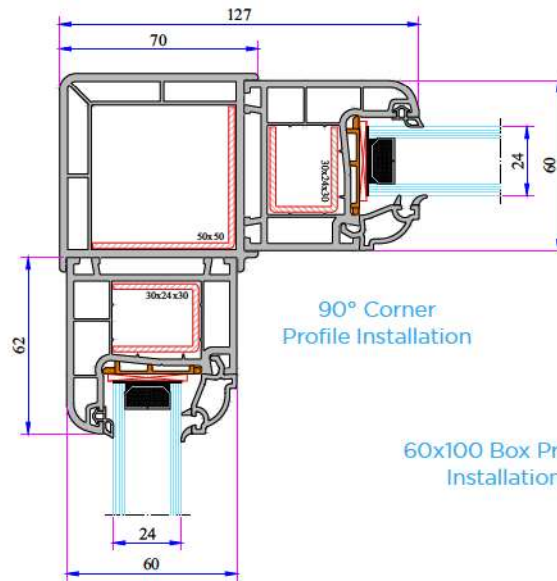
Narrow Coupling Profile Installation



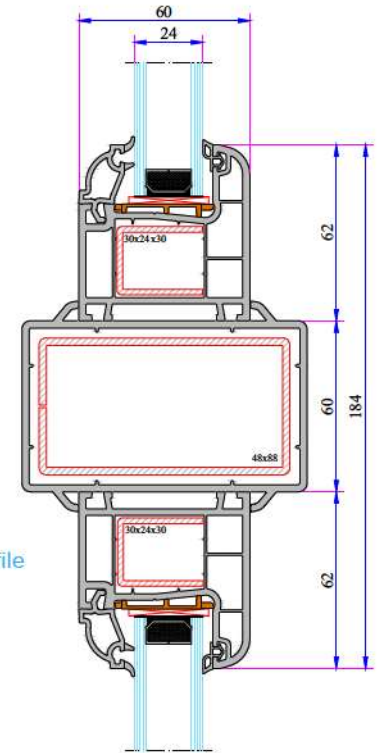
Short Coupling Profile Installation



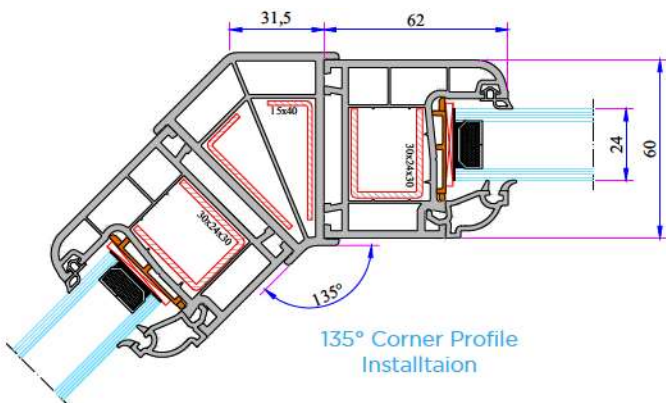
With Aluminium Threshold Frame Door Sash Installation



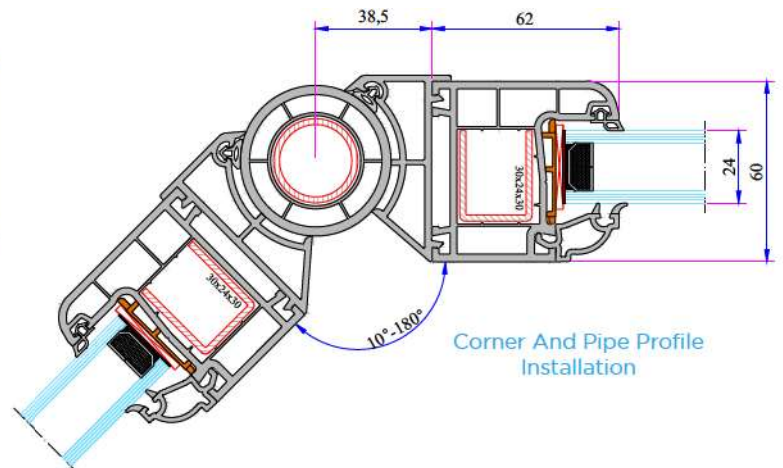
90° Corner Profile Installation



60x100 Box Profile Installation

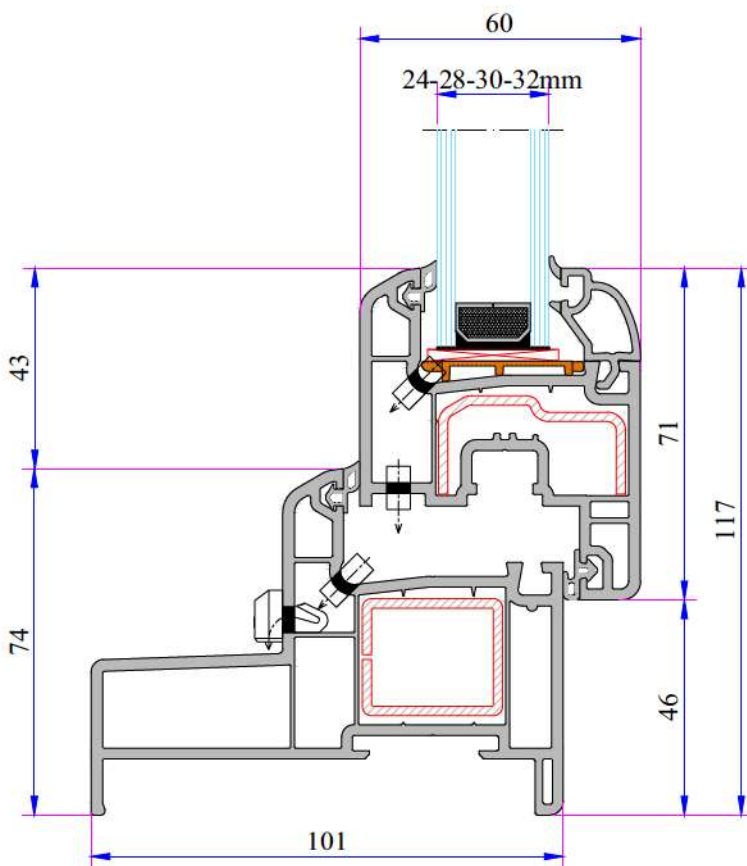


135° Corner Profile Installation



Corner And Pipe Profile Installation





TECHNICAL

W FR 60 SERIES

Profile Width: 60 mm

Number of chambers: 3

Profile Class: B Class (TS EN 12608-1)

Seal Type: External / Internal double seal system

Seal Type and Color: TPE - Grey /Black

Glass Thickness (mm): 24, 28, 30, 32 mm

W FR 70 SERIES

Profile Width: 70 mm

Number of chambers: 5

Profile Class: B Class (TS EN 12608-1)

Seal Type: External / Internal double seal system

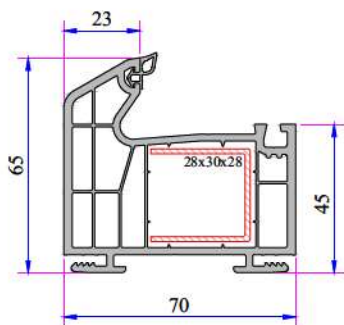
Seal Type and Color: TPE - Grey /Black

Glass Thickness (mm): 24, 28, 30, 32 mm

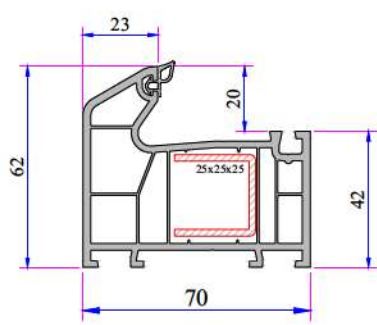
INSTRUCTION

- The profiles have 60 mm width.
- Because of the elastic grey and black seal which does not leave any stain on profiles will be provided maximum air, water, dust and sound isolation.
- Due to the 3 chambers profiles, it has maximum performance for thermal, sound and water isolation.
- It is a series of profiles with very special design that provides maximum wind resistance on high rise buildings.
- Excluding normal sash profile there is also chance to have a choice for offset type sash profile.
- In addition to white profile a different laminated color range is available.
- Application of 24, 28, 30, 32 mm glazing beads give us alternatives of using double, triple glazing and panels.
- It provides the visual integrity in the inner surface and the frame-wall connections due to integrated frame with sill profile.

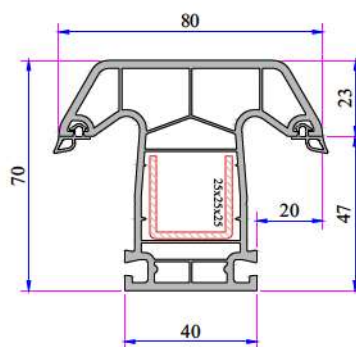
FR 70 Serie Profiles



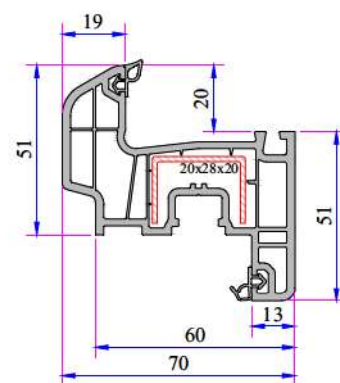
Renovation Frame Profile
45 mm
900.1008



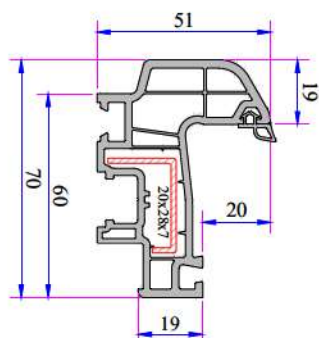
Frame Profile 42 mm
706.1000



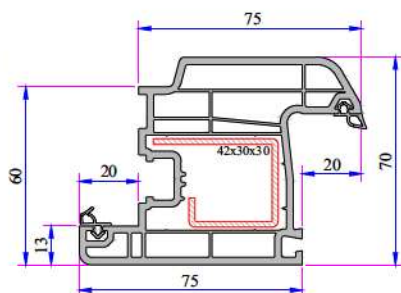
Mullion Profile for Frame 40 mm
706.3000



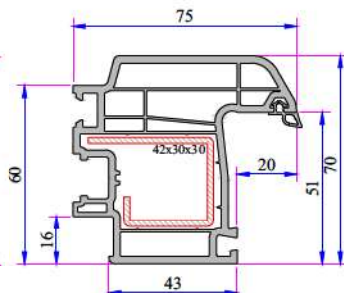
Offset Type Sash Profile
51 mm
900.2200



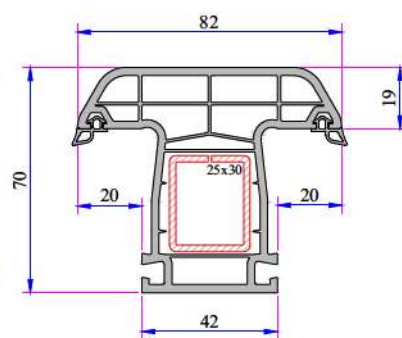
Integrated Lap Joint
Profile for Sash
900.2202



Door Sash Profile 75 mm
900.2009

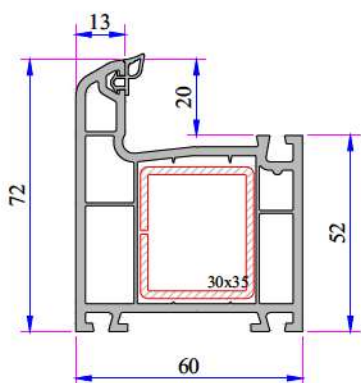


Integrated Lap Joint Profile for
Door
900.2010

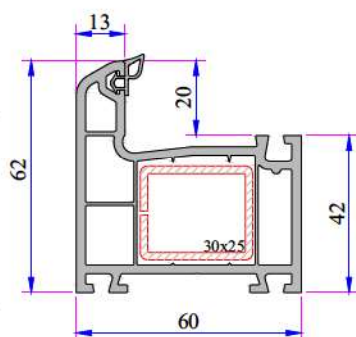


Mullion Profile for Sash
42 mm
900.3004

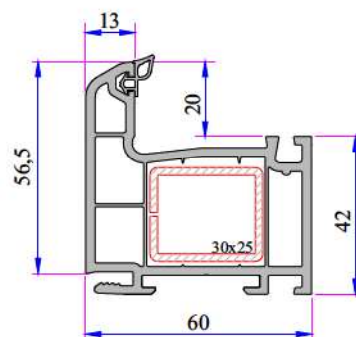
FR 60 Serie Profiles



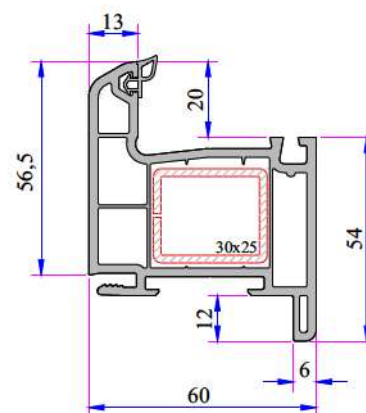
Super Frame Profile 52 mm
900.1001



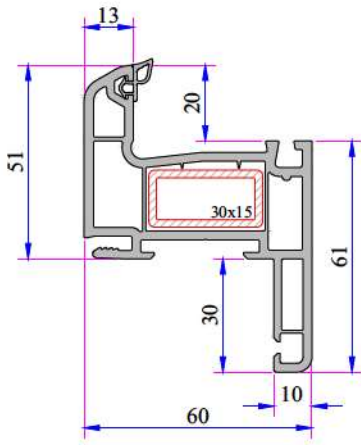
Frame Profile 42 mm
900.1000



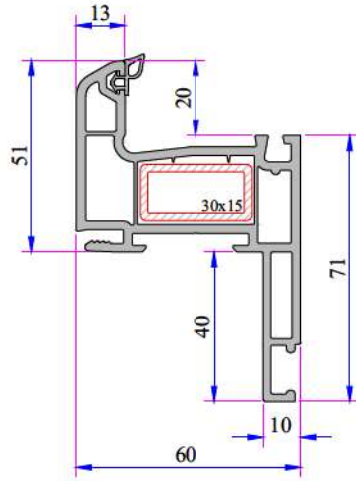
Renovation Frame Profile 42 mm
900.1006



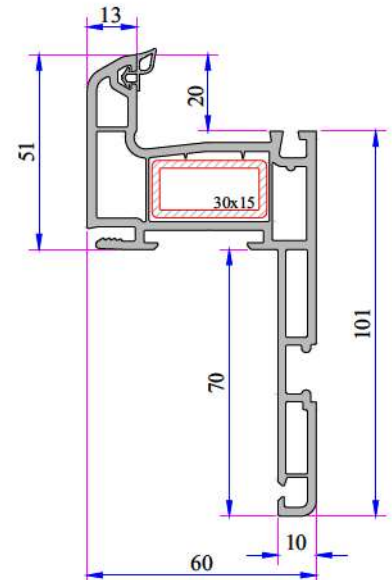
Renovation Frame Profile
with sill 12 mm
900.1005



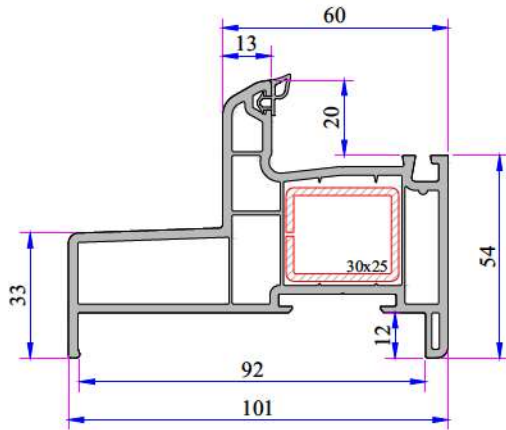
Renovation Frame Profile with sill
30 mm
900.1203



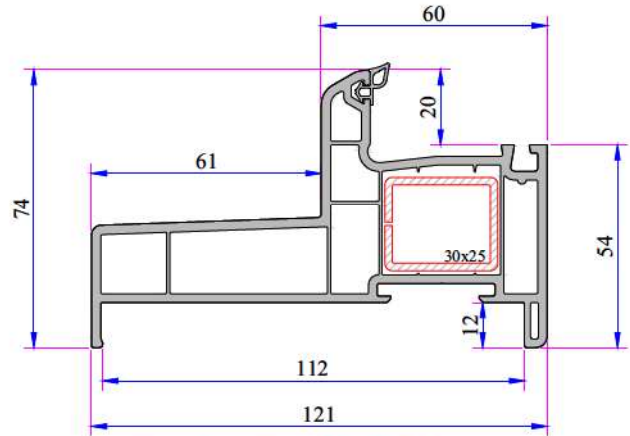
Renovation Frame Profile with sill
40 mm
900.1204



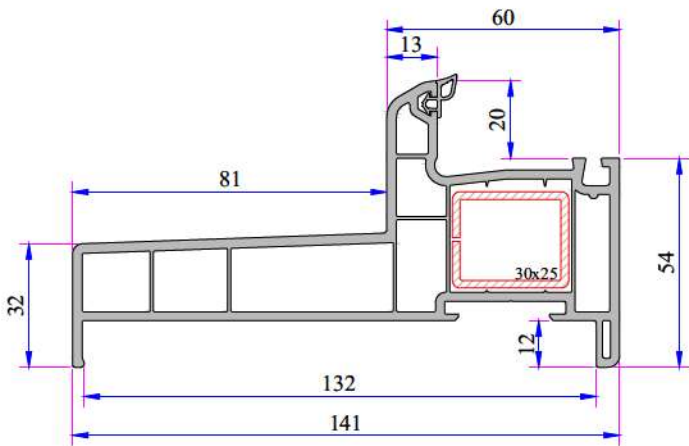
Renovation Frame Profile with sill
70 mm
900.1205



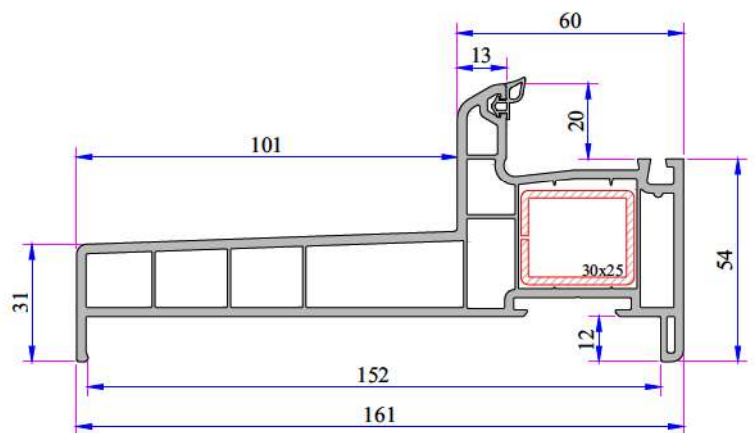
Monoblock Frame Profile 100 mm
900.1300



Monoblock Frame Profile 120 mm
900.1301

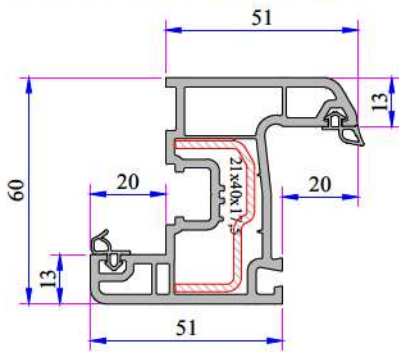


Monoblock Frame Profile 140 mm
900.1302

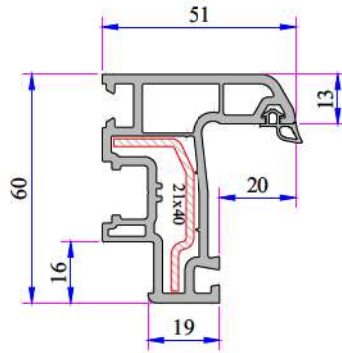


Monoblock Frame Profile 160 mm
900.1303

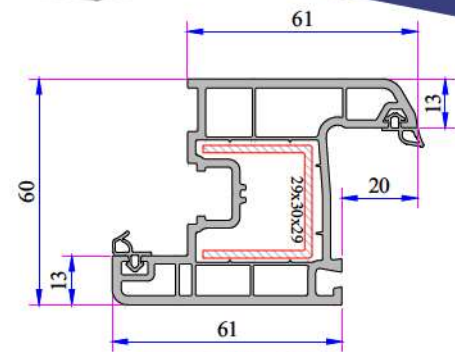
W FR 70 - 60 SERIES PVC PROFILE SYSTEM



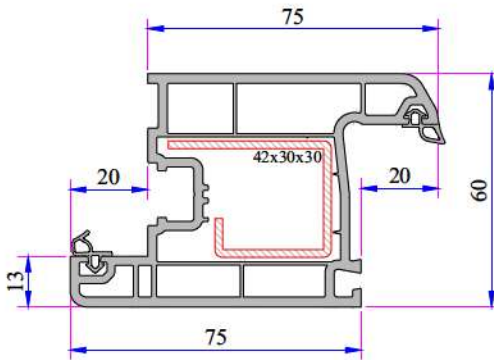
Sash Profile 51 mm
900.2005



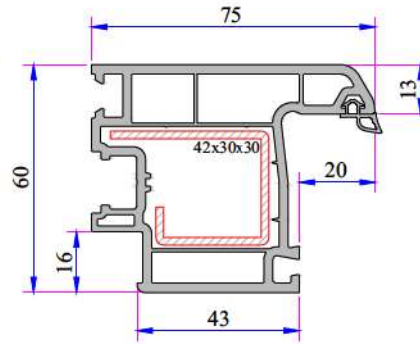
Offset Type Sash Lap Joint
Profile
900.2006



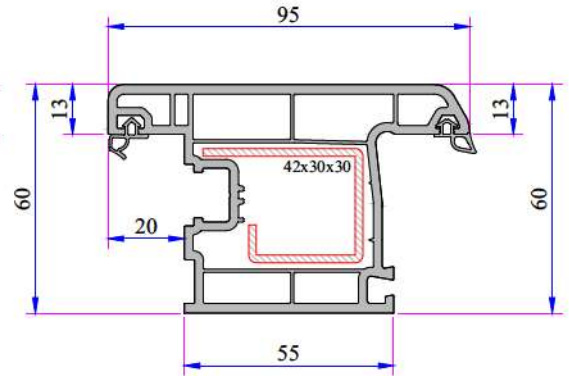
Sash Profile 61 mm
632.2000



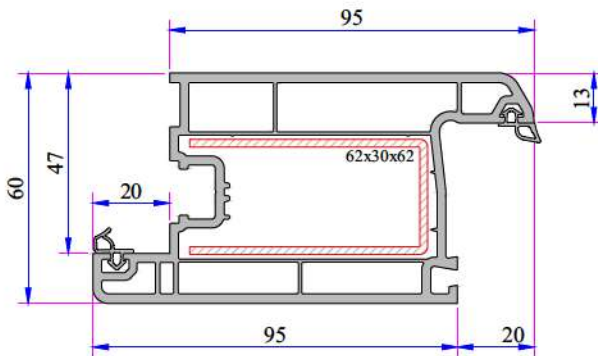
Eco Door Sash Profile
75 mm
900.2107



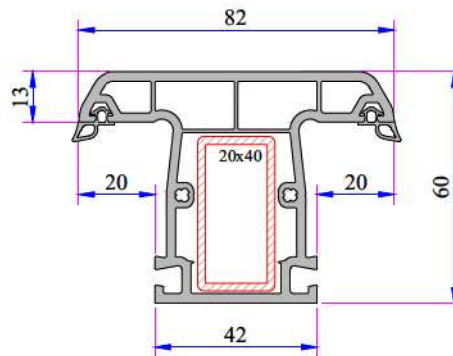
Offset Type Door Lap Joint
Profile
900.2008



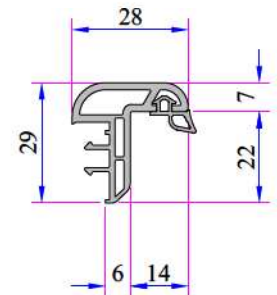
Outward Opening Door Sash
Profile 55 mm
900.2101



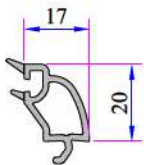
Door Sash Profile 95 mm
900.2100



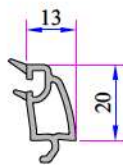
Static Mullion Profile 42 mm
900.3003



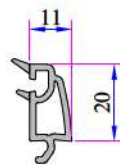
Lap Joint Outside Cover
Profile
900.3100



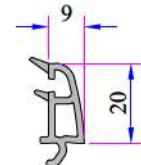
Double Glazing Bead
for 24mm
900.4206



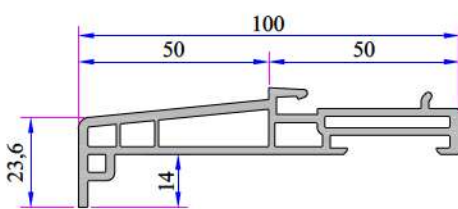
Double Glazing Bead
for 28mm
900.4306



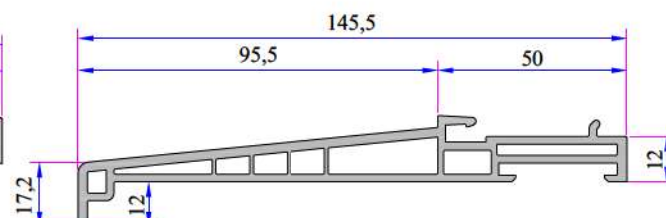
Double Glazing Bead
for 30mm
900.4406



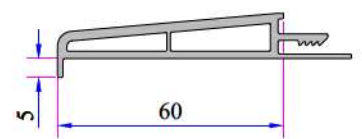
Double Glazing Bead
for 32mm
900.4506



Outside Sill Profile 50 mm for
Renovation Frame
900.6301

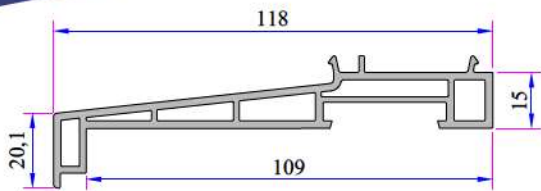


Outside Sill Profile 95 mm for
Renovation Frame
900.6300

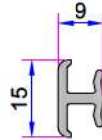


Outside Sill Profile 60 mm
for Renovation Frame
706.5528

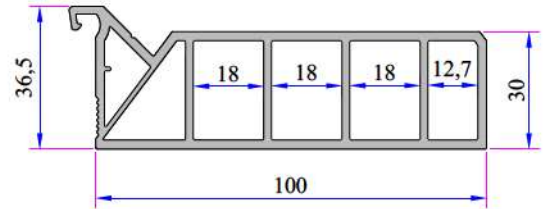
W FR 70 - 60 SERIES PVC PROFILE SYSTEM



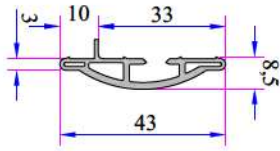
Sill Profile 58mm
058.5504



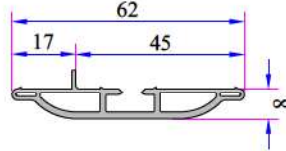
Universal Short Coupling Profile
099.5004



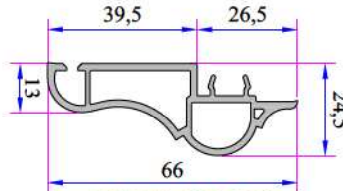
Frame Top Sill Profile 100mm
900.6308



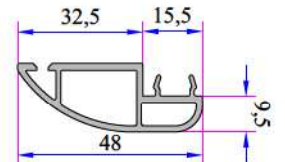
Lap Joint Inside Cover Profile 43 mm for Sash
900.6303



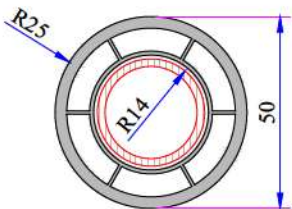
Lap Joint Inside Cover Profile 62 mm for Door
900.6302



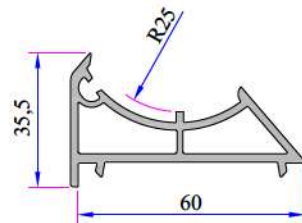
WF-HA-CLAP66
Habillage à clipper 66 mm sur l'aile de 40 mm du dormant
900.6305



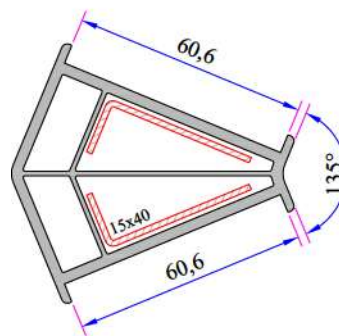
WF-HA-CLAP48
Habillage à clipper 48 mm sur l'aile de 40 mm du dormant
900.6304



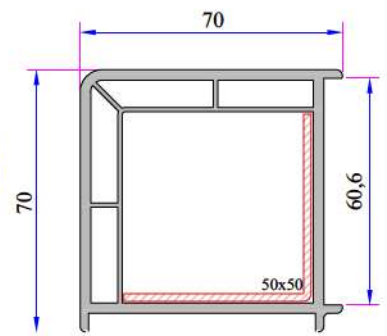
Pipe Profile
050.5106



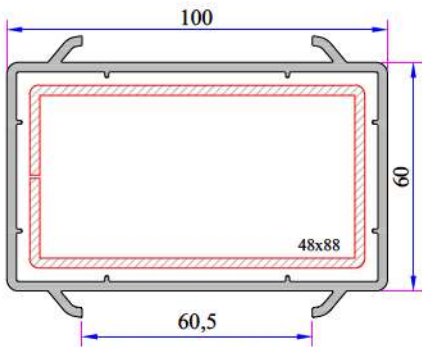
Angle Pipe Adaptor Profile
060.5104



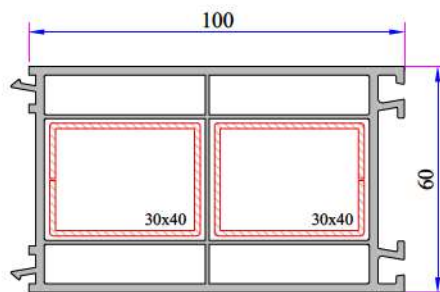
135° Corner Profile
060.5102



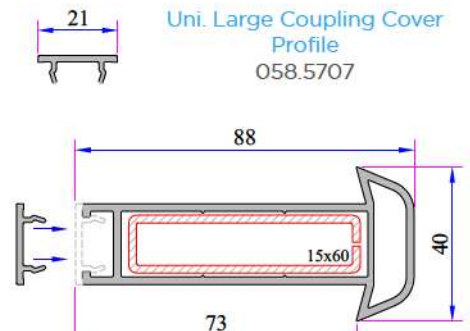
90° Corner Profile
060.5100



60x100 Box Profile
060.5203 0

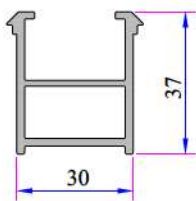


Frame Lifting Profile 100mm
900.5303

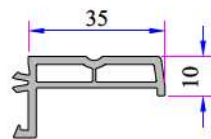


Universal Large Coupling Profile
058.5000

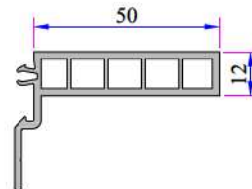
Uni. Large Coupling Cover Profile
058.5707



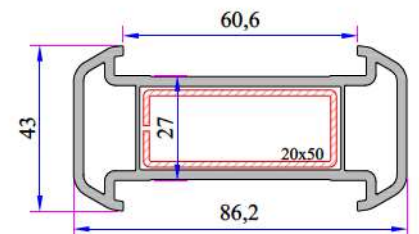
Frame Montage Profile
060.5301



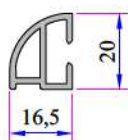
Frame Sill 35mm
099.5523



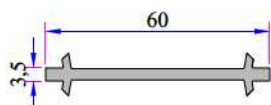
Frame Sill 50mm
099.5524



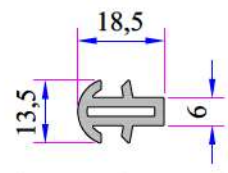
Large Coupling Profile
060.5000



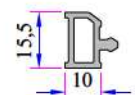
Offset Profile
900.6307



Narrow Coupling Profile
060.5001

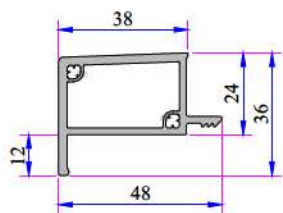


Short Coupling Profile
099.5003

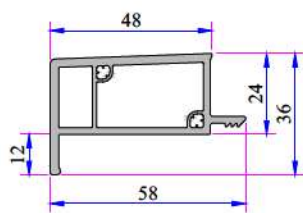


WF-HA-EPA10
Habillage d'épaisseur 10 mm à clipper derrière l'aile réno
900.6306

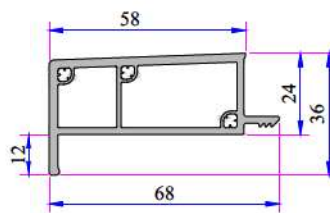
W FR 70 - 60 SERIES PVC PROFILE SYSTEM



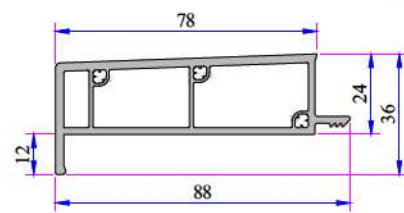
Expansion Sill Profile 38mm
900.5529



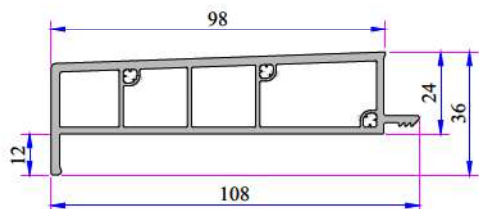
Expansion Sill Profile 48mm
900.5530



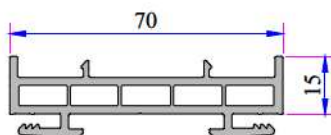
Expansion Sill Profile 58mm
900.5531



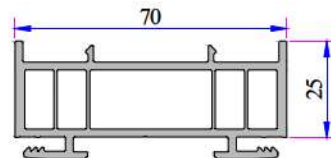
Expansion Sill Profile 78mm
900.5532



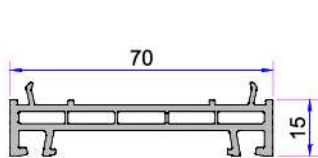
Expansion Sill Profile 98mm
900.5533



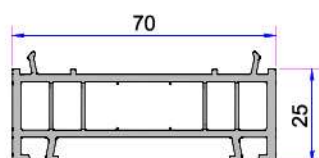
Attached Frame Lifting
Profile 15mm
900.5305



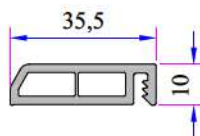
Attached Frame Lifting
Profile 25mm
900.5307



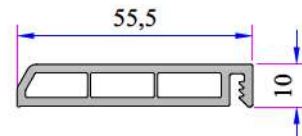
Frame Lifting Profile 15mm
070.5304



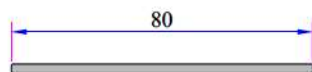
Frame Lifting Profile 25mm
070.5306



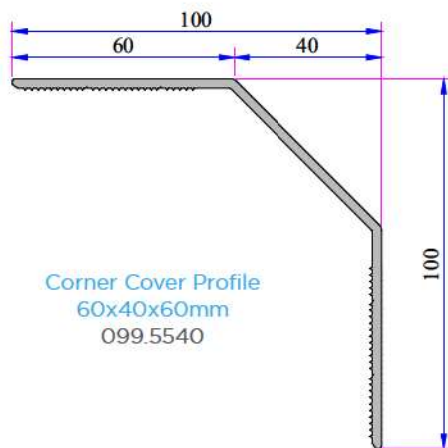
Outboard Sill Profile 35.5mm
900.5535



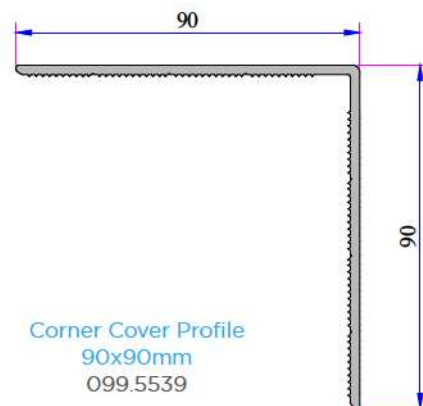
Outboard Sill Profile 55.5mm
900.5534



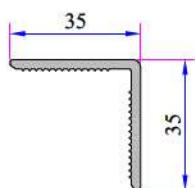
Cover Profile 80mm
099.5541



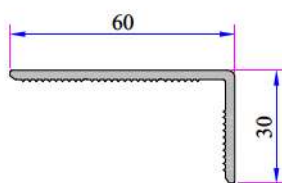
Corner Cover Profile
60x40x60mm
099.5540



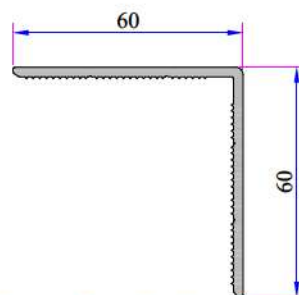
Corner Cover Profile
90x90mm
099.5539



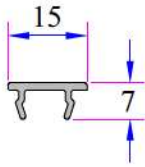
Corner Cover Profile
35x35mm
099.5536



Corner Cover Profile
60x30mm
099.5538

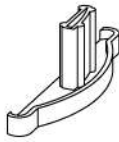


Corner Cover Profile
60x60mm
099.5537



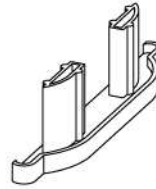
WF-HA-DR4070
Habillage pour aile de 40 ou 70 mm

900.5705



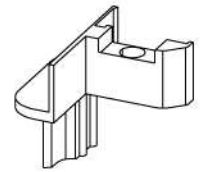
WF-BO-INT043
Bouchon pour battue intérieure de 43mm

34012-10170



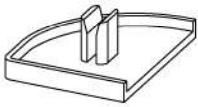
WF-BO-INT043
Bouchon pour battue intérieure de 43mm

34012-10180



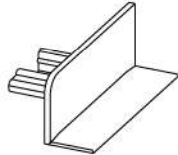
WF-BO-INT043
Bouchon pour battue intérieure de 43mm

34012-10160



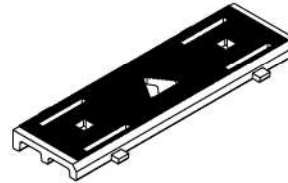
WF-BO-REJ020
Bouchon pour rejet d'eau de 20mm

34026-14090



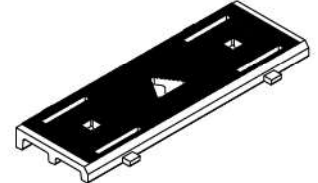
WF-BO-BATINT
Bouchon pour battement intégré d'ouvrant

34012-10190



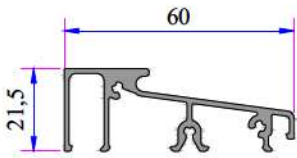
WF-CA-VITR60
Cale de vitrage de 60

34014-13070

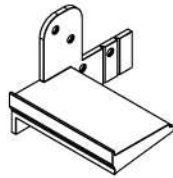


WF-CA-VITR70
Cale de vitrage de 70

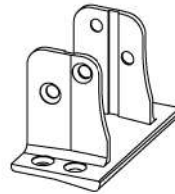
34014-13080



Seuilier Aluminium
AD16-001

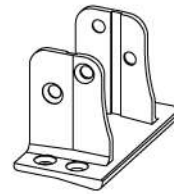


Connecteur Seuilier Aluminium
34007-15010



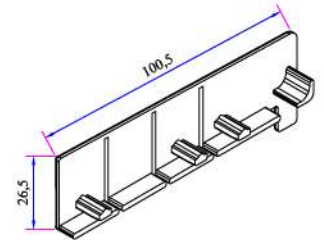
WF-AC-70L082
Etrier métallique de 70

34007-11150

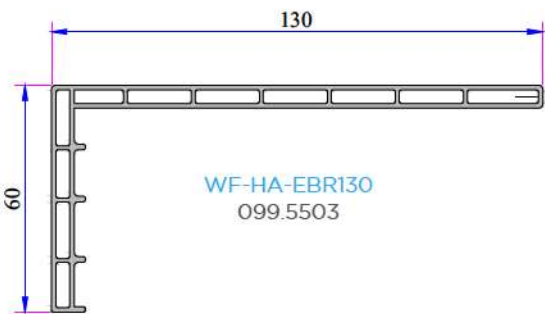


WF-AC-60L082
Etrier métallique de 60

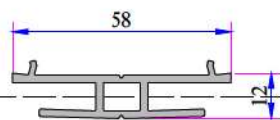
34007-11140



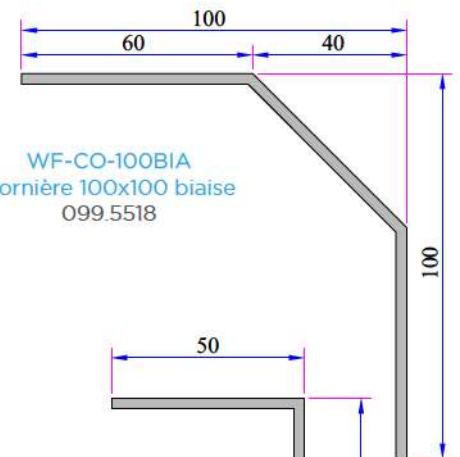
WF-BO-DMIsO160
Bouchon pour dormant monobloc



WF-HA-EBR130
099.5503



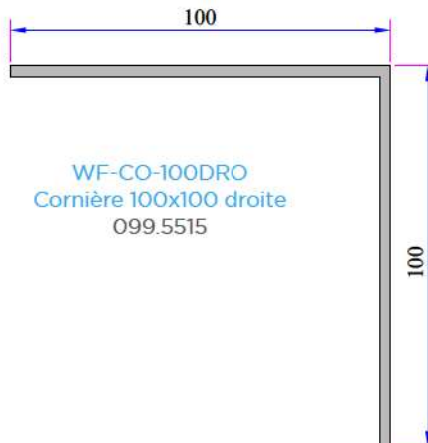
WF-RA-EBRASI
099.5520



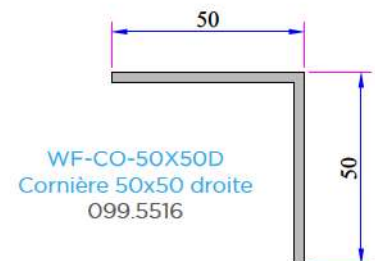
WF-CO-100BIA
Cornière 100x100 biaisée
099.5518



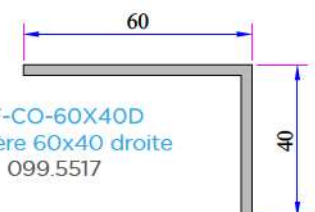
WF-CO-100X60
Cornière 100x60 droite
099.5514



WF-CO-100DRO
Cornière 100x100 droite
099.5515



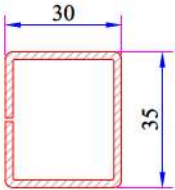
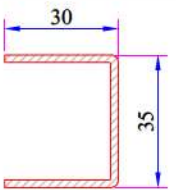
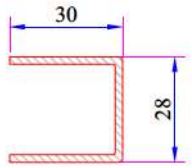
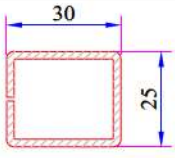
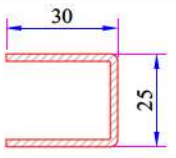
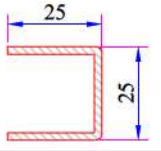
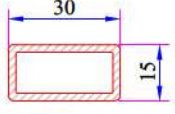
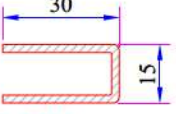
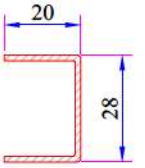
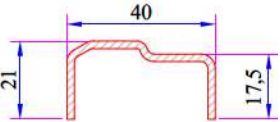
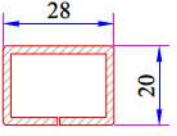
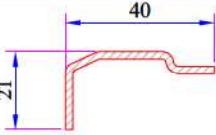
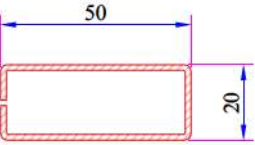
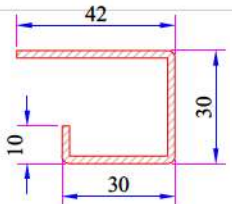
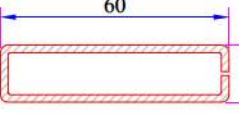

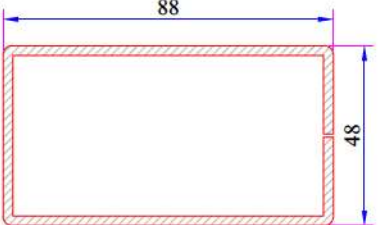
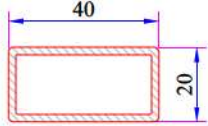
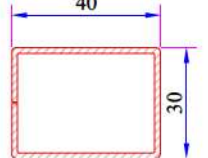
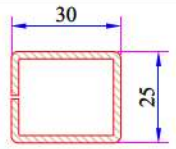
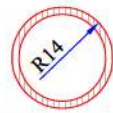
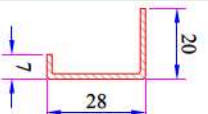
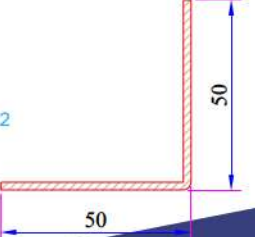
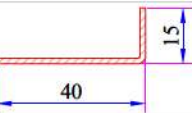
WF-CO-50X50D
Cornière 50x50 droite
099.5516



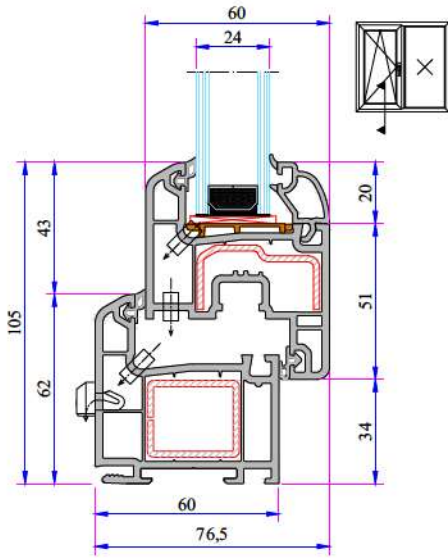
WF-CO-60X40D
Cornière 60x40 droite
099.5517

W FR 70 - 60 SERIES PVC PROFILE SYSTEM

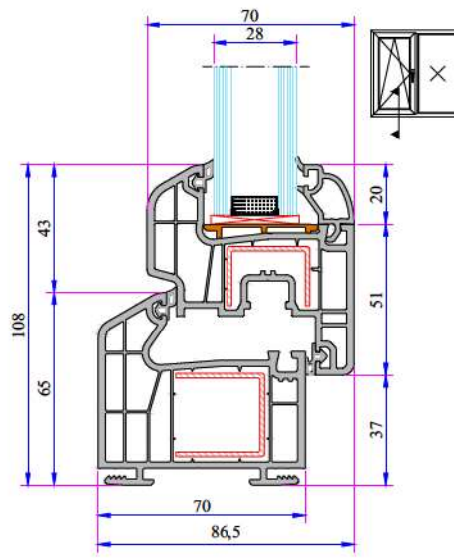
FR 60 Re-Inforcement Profiles

Profile	Reinforcement	Alternative Reinforcement	Profile	Reinforcement
WF-DB-LAR072	 34022-12128	 34022-12037	FR70 Frame Profile Reinforcement	34022-12041 
WF-DB-LAR062 WF-DB-VRIDM WF-DB-VRTDM WF-DM-IsO100 WF-DM-IsO120 WF-DM-IsO140 WF-DM-IsO160	 34022-12119	 34022-12004	Mullion Profile Reinforcement	34022-12003 
WF-DR-AILE30 WF-DR-AILE40 WF-DR-AILE70	 34022-12125	 34022-12034	WF-OU-70L051	34022-12042 
WF-OU-60L051 WF-OU-70L051	34022-12038		Lap Joint Profile Reinforcement	34022-12118 
WF-BA-60L051 WF-BA-70L051	34022-12307		Large Couple Profile Reinforcement	34022-12105 
WF-OU-60L075 WF-OU-60EX95 WF-BA-60L075 WF-OU-70L075 WF-BA-70L075	34022-12039		Universal Large Coupling Profile Reinforcement	34022-12123 
WF-OU-60L095	34022-12029		60x100m Box Profile Reinforcement	34022-12102 
WF-TR-60L082	34022-12114		WF-RA-ELA100 Reinforcement	34022-12105 
WF-TR-70L082	34022-12119		Angle Pipe Profile Reinforcement	34022-12503 
WF-BA-70L051	34022-12040		90° Corner Profile Reinforcement	34022-12302 
135° Corner Profile Reinforcement	34022-12302			

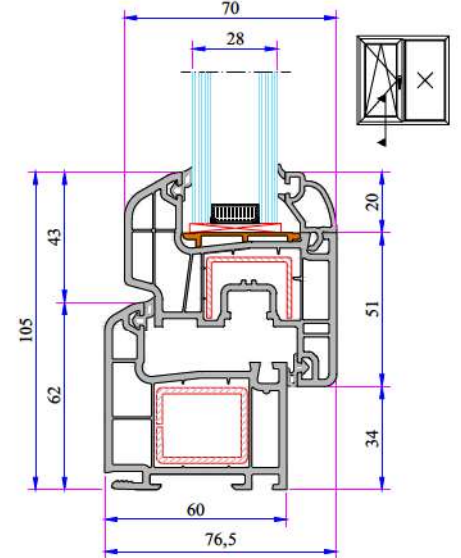
FR 60 Installation



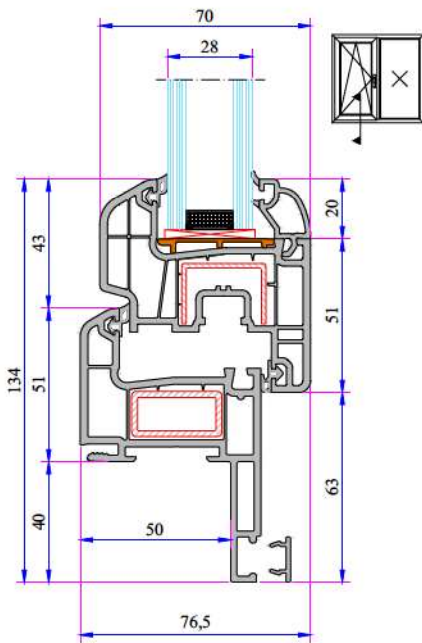
Frame - Narrow Sash Installation



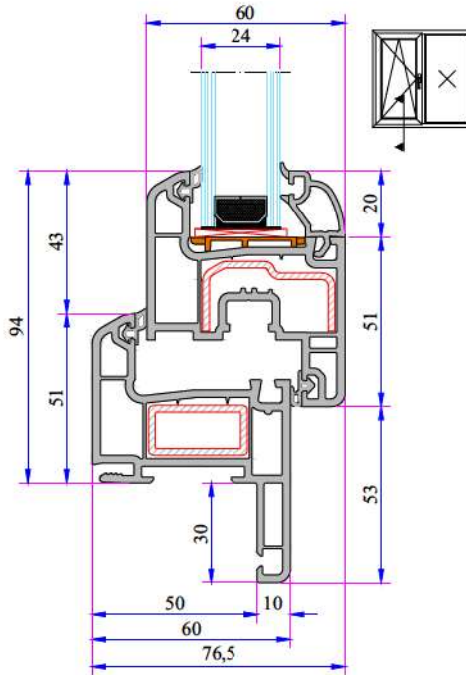
FR 70 Frame - Offset Type Sash Installation



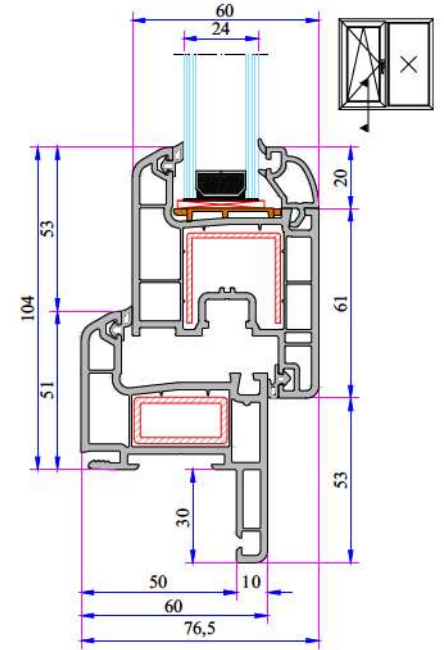
Frame - Offset Type Sash Installation



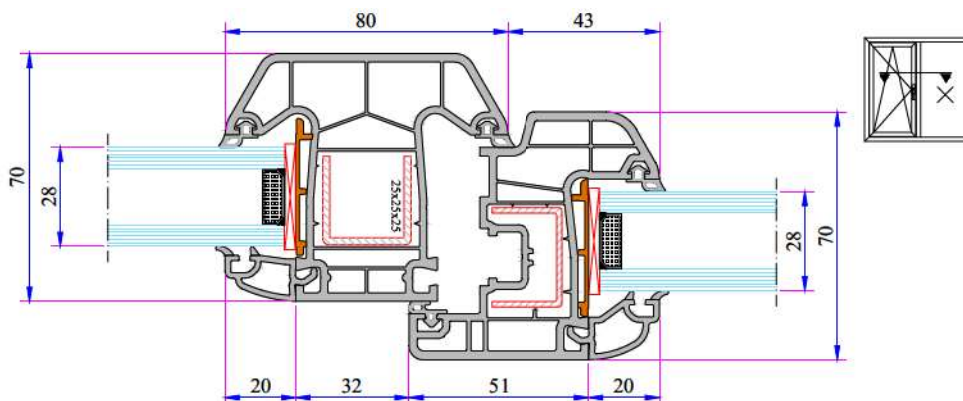
40mm Frame with Sill - Offset Type Sash Installation



30mm Frame with Sill - Narrow Sash Installation

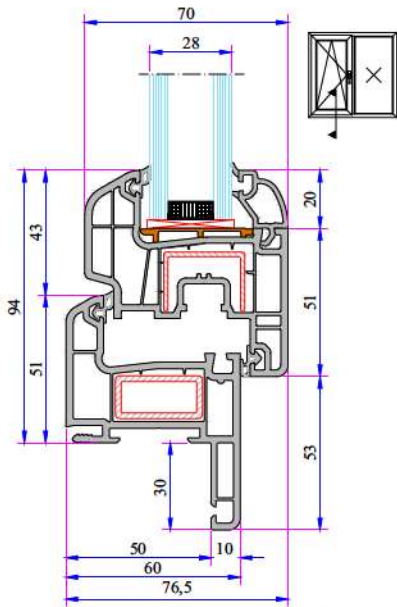


30mm Frame with Sill - Sash Installation

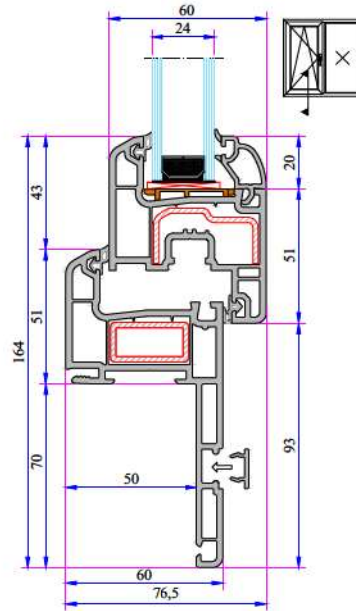


Mullion - Offset Type Sash Installation

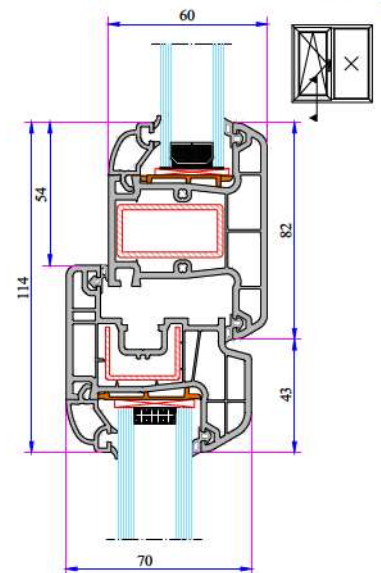
W FR 70 - 60 SERIES PVC PROFILE SYSTEM



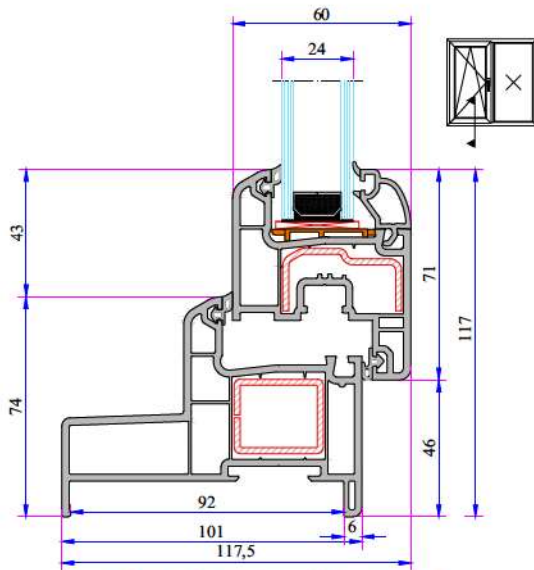
30mm Frame with Sill - Offset Type Sash Installation



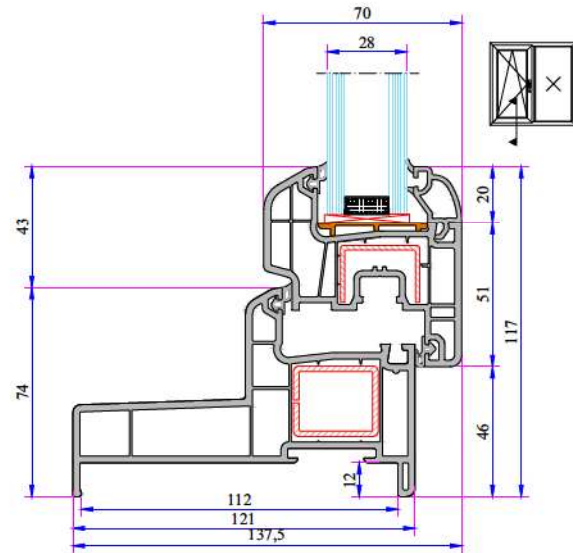
70mm Frame with Sill - Narrow Sash Installation



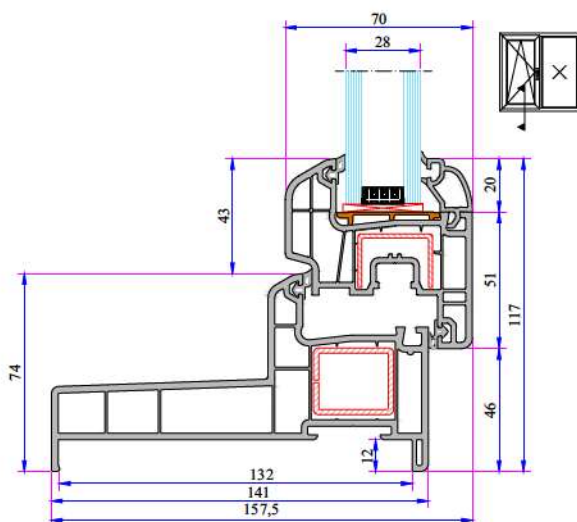
Offset Type Sash - Mullion Installation



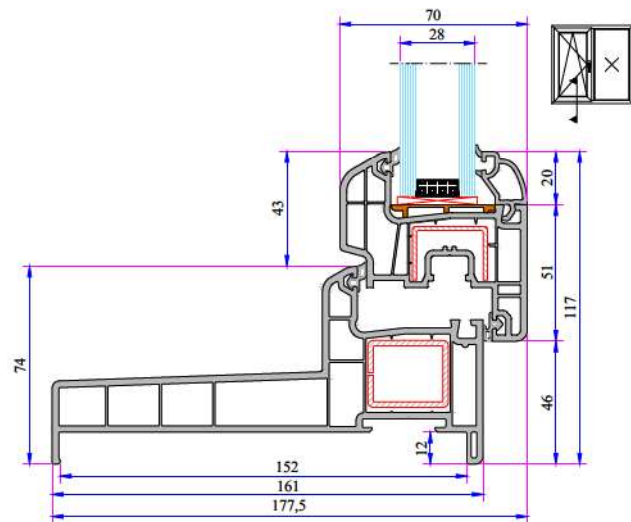
100mm Frame With Sill - Narrow Sash Installation



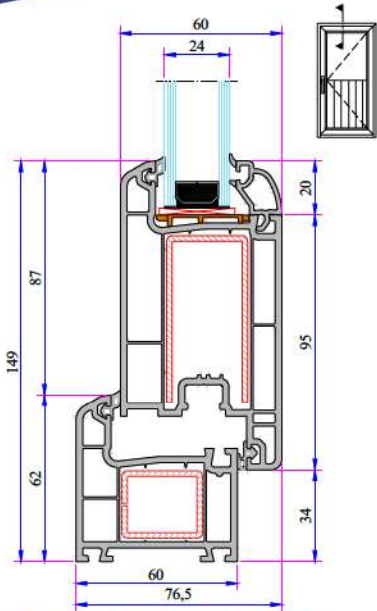
120mm Frame With Sill - Offset Type Sash Installation



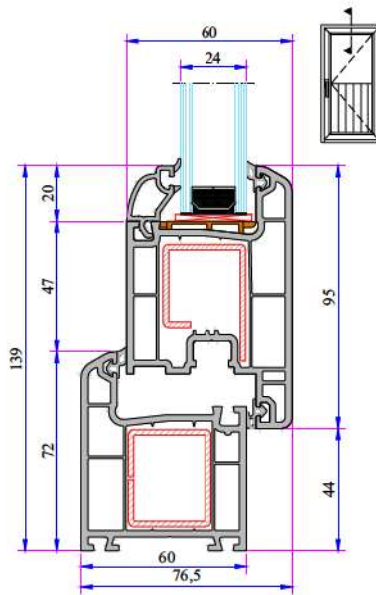
140mm Frame With Sill - Offset Type Sash Installation



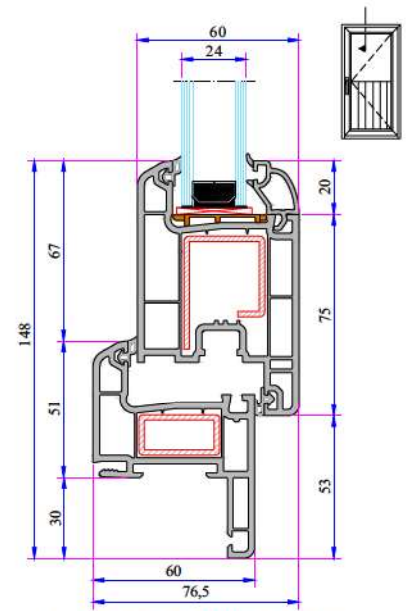
160mm Frame With Sill - Offset Type Sash Installation



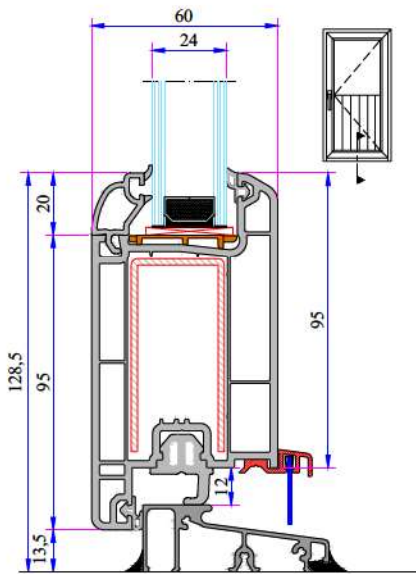
Frame - Door Sash Installation



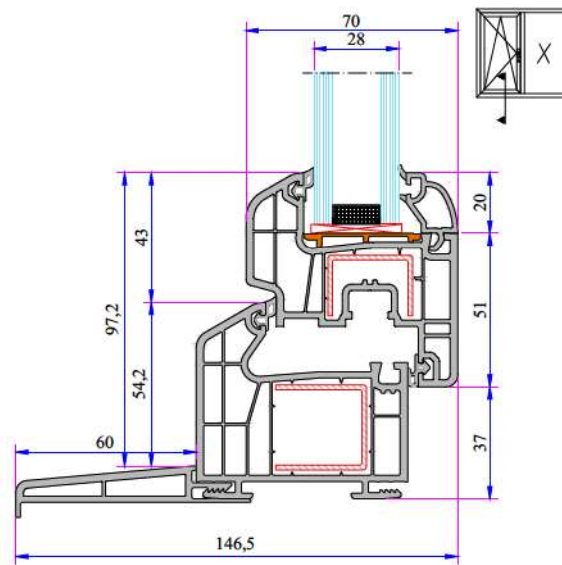
Super Frame - Outward Opening
Door Sash Installation



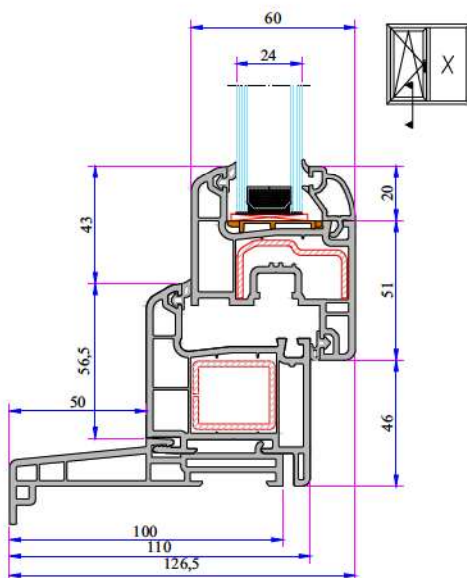
30mm Frame With Sill - Eco
Door Sash Installation



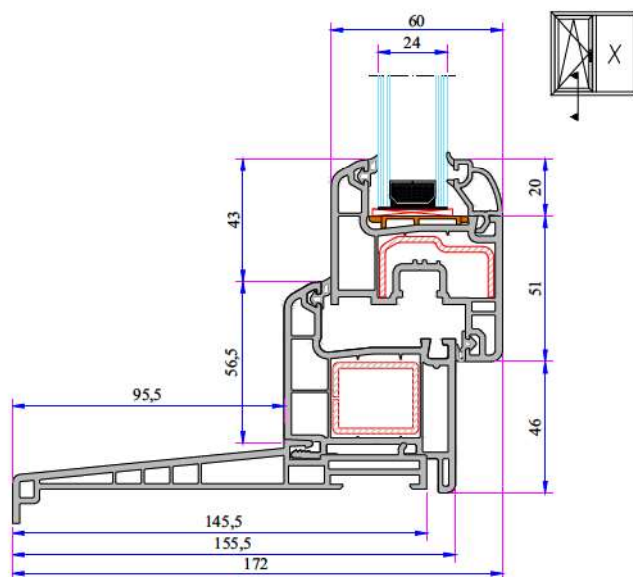
With Aluminium Threshold
Frame Door Sash Installation



Sill Profile (60mm) Installation

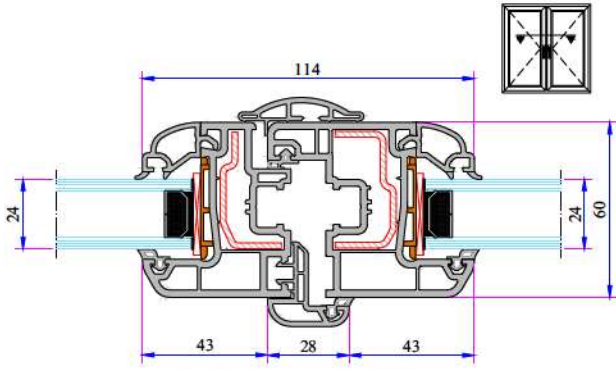


50mm Frame Sill Profile
Installation

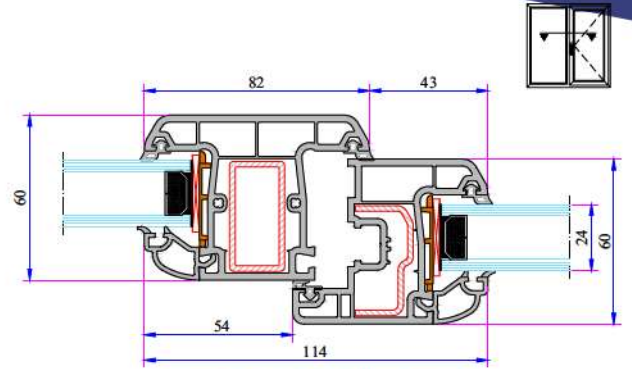


95mm Frame Sill Profile
Installation

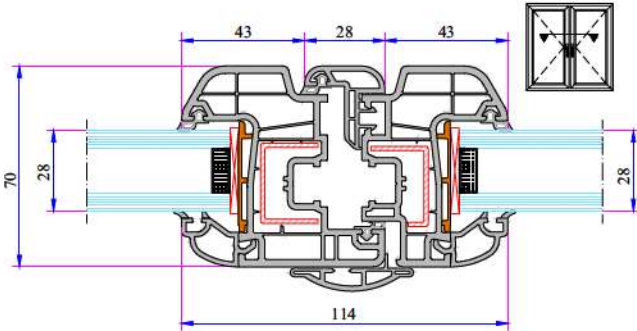
**W FR 70 - 60 SERIES
PVC PROFILE SYSTEM**



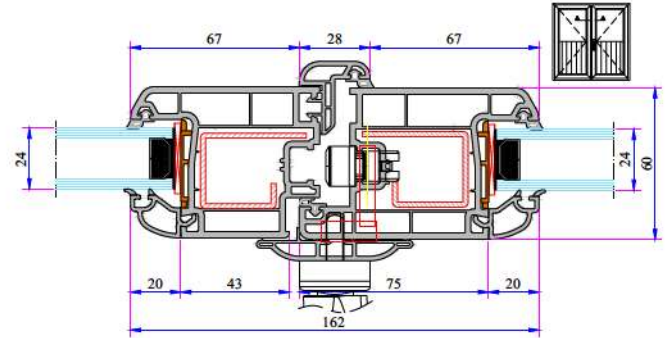
Narrow Sash - Lap Joint -
Narrow Sash Installation



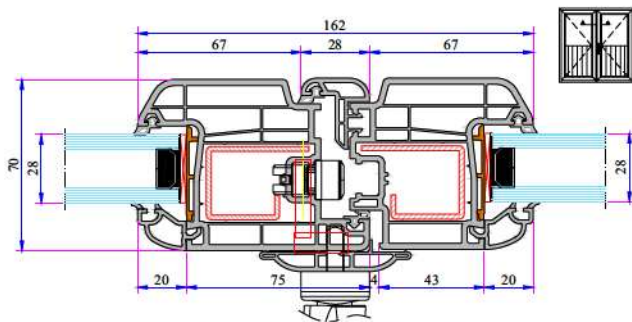
Narrow Sash - Mullion Profile
Installation



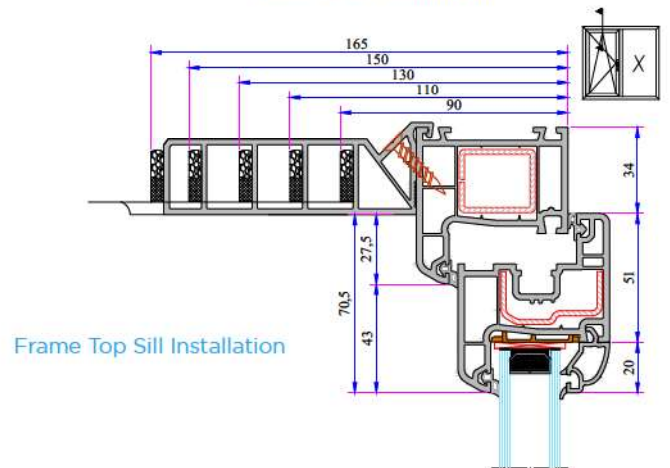
Offset Type Sash - Lap Joint -
Offset Type Sash Installation



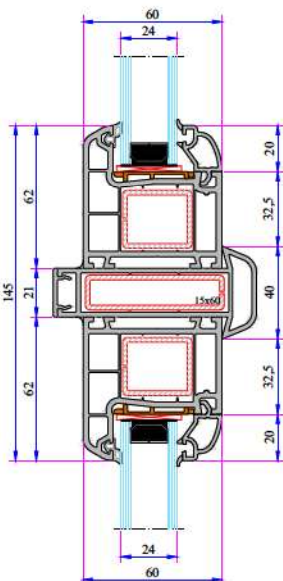
Door Sash - Lap Joint - Half
Door Sash Installation



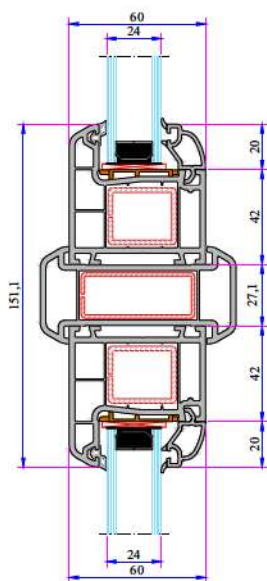
Offset Type Door Sash - Lap Joint -
Offset Type Half Door Sash Installation



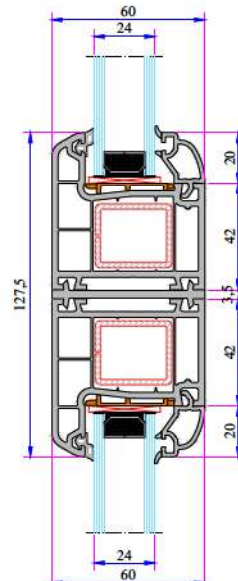
Frame Top Sill Installation



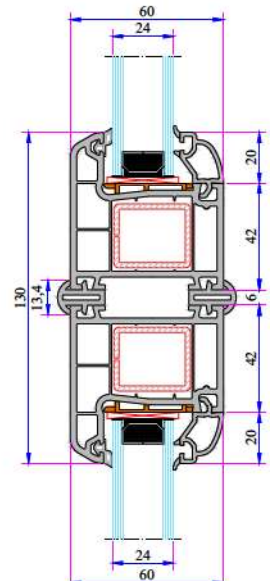
Universal Large Coupling
Profile Installation



Large Coupling Profile
Installation

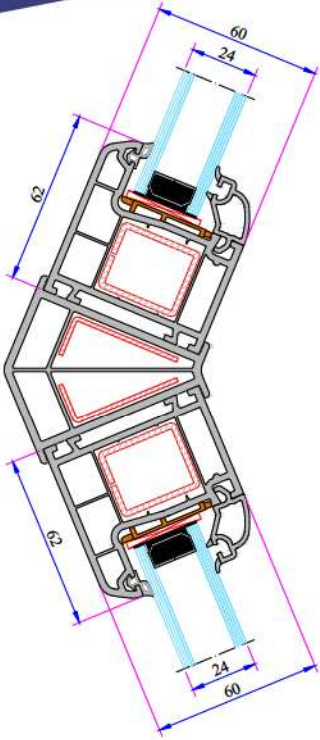


Narrow Coupling Profile
Installation

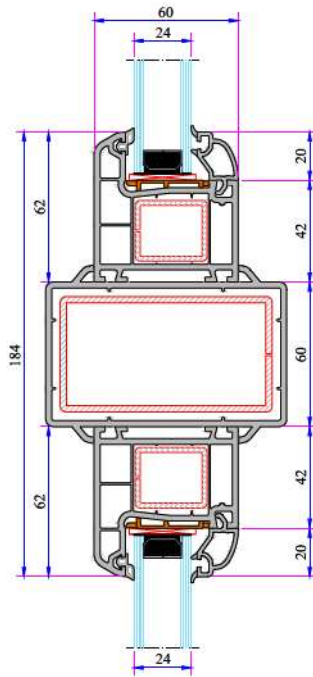


Short Coupling Profile
Installation

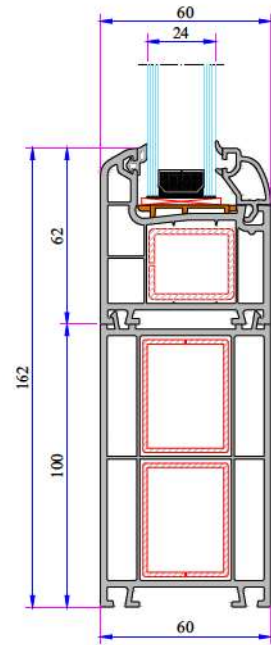
W FR 70 - 60 SERIES PVC PROFILE SYSTEM



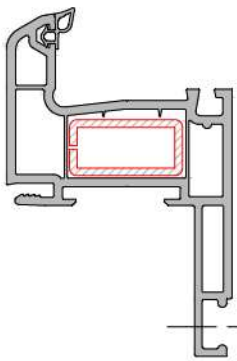
135° Corner Profile Installation



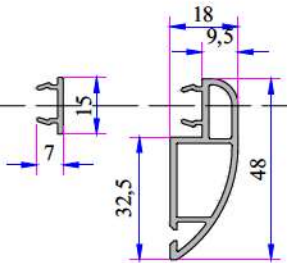
Box Profile Installation



100mm Frame Lifting Profile Installation

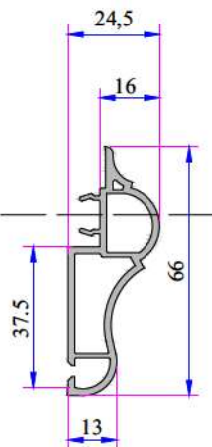


WF - HA - DR 4070

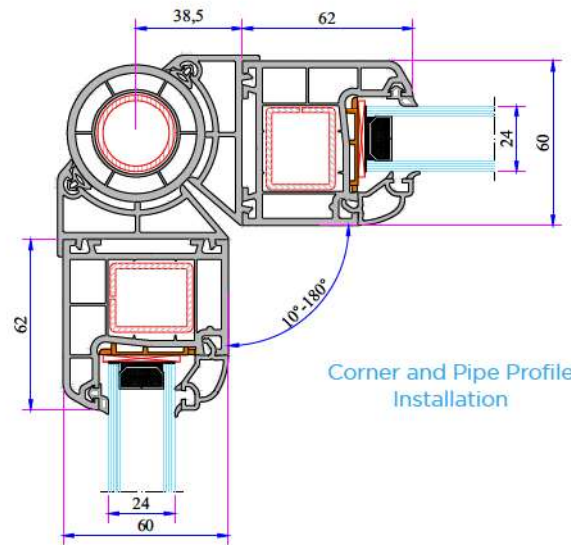


WF-HA-CACHE7

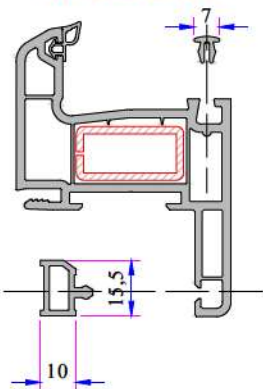
WF - HA - CLAP \ 48



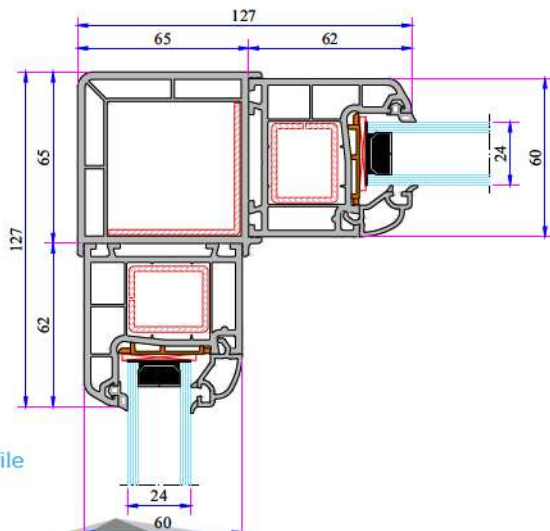
WF - HA - CLAP \ 66



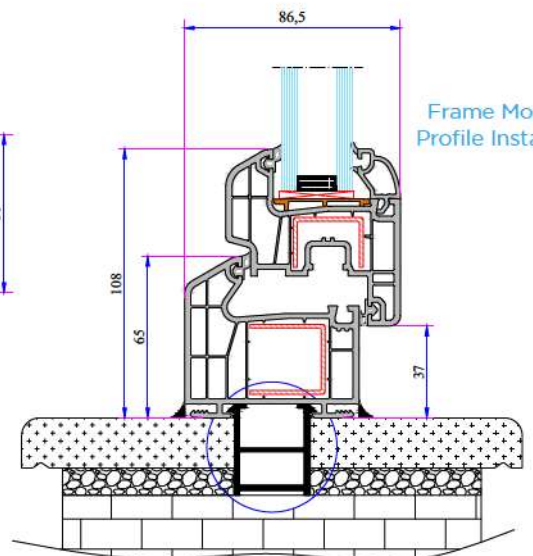
Corner and Pipe Profile Installation



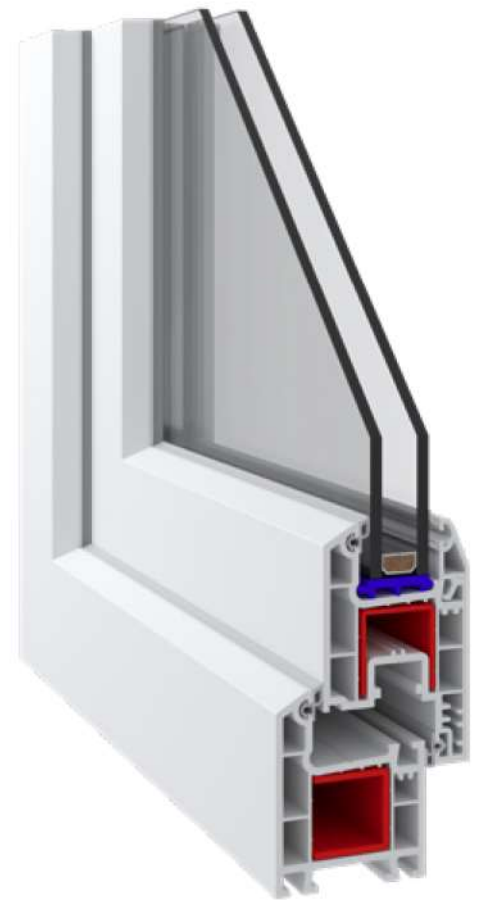
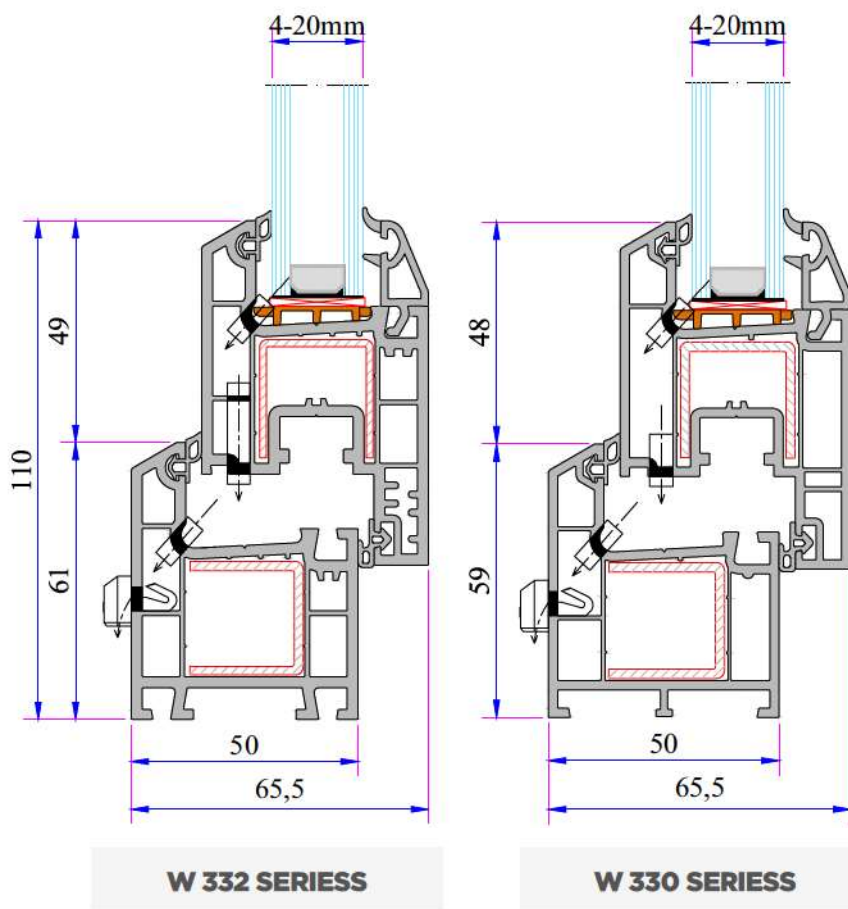
90° Corner Profile Installation



Frame Montage Profile Installation







TECHNICAL

W 332 SERIES

Profile Width: 50 mm

Number of chambers: 3

Profile Class: B Class (TS EN 12608-1)

Seal Type: External / Internal double seal system

Seal Type and Color: TPE - Grey /Black

Glass Thickness (mm): 4, 20 mm

W 330 SERIES

Profile Width: 50 mm

Number of chambers: 3

Profile Class: C Class (TS EN 12608-1)

Seal Type: External / Internal double seal system

Seal Type and Color: TPE - Grey /Black

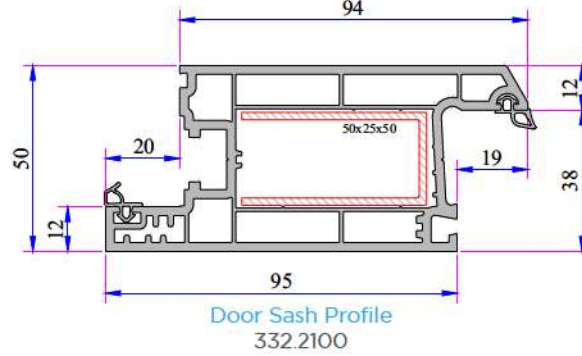
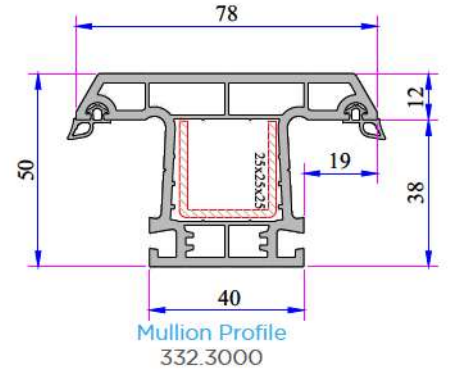
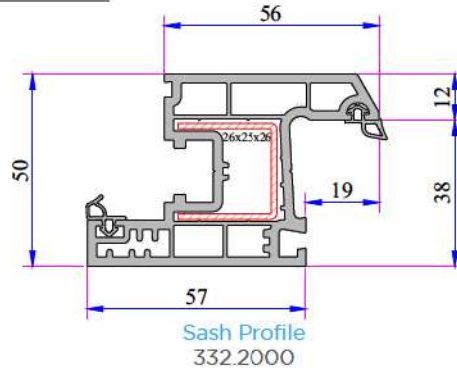
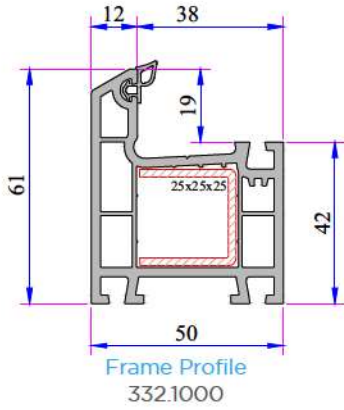
Glass Thickness (mm): 4, 20 mm

INSTRUCTION

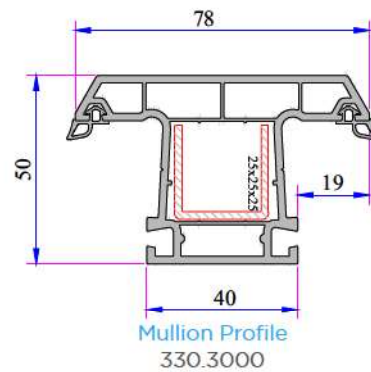
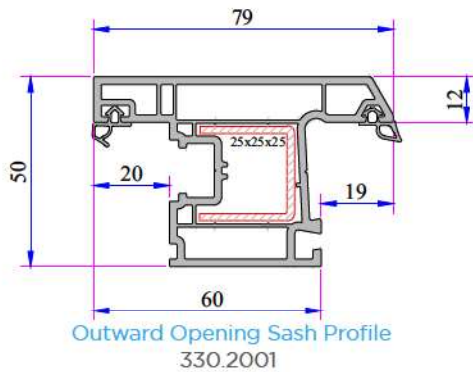
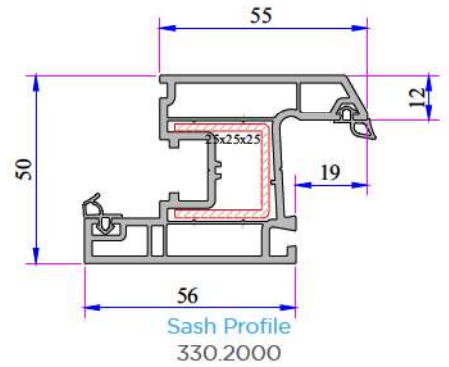
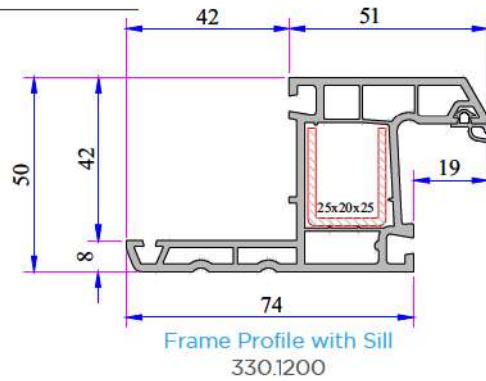
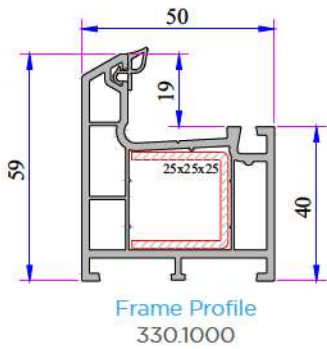
- The main profile has 50 mm width.
- Because of the elastic grey and black seal which does not leave any stain on profiles will be provided maximum air, water, dust and sound isolation.
- Due to the 3 chambers profiles, it has maximum performance for thermal, sound and water isolation.
- In addition to white profile a different laminated color range is available.
- 4-5 mm single glazing application of 20 mm glazing bead give us alternatives of using double, triple glazing and panels.

W 330 - 332 SERIES PVC PROFILE SYSTEM

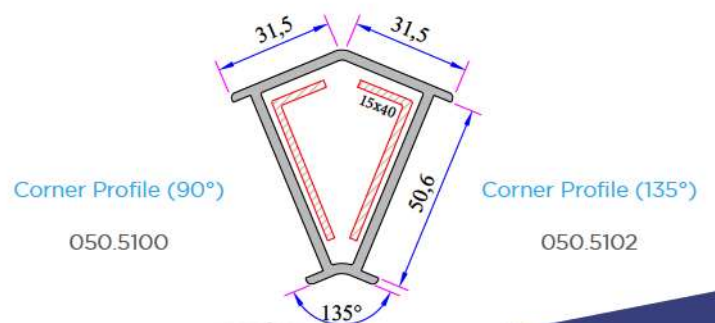
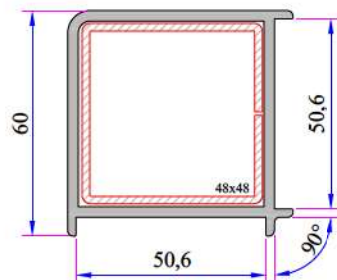
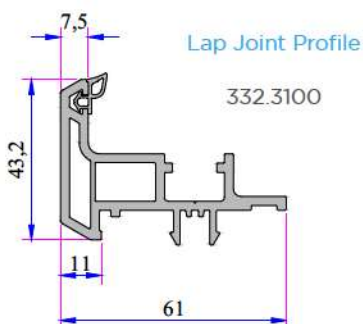
W 332 Serie Profiles



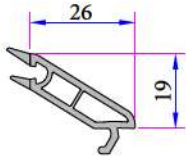
W 330 Serie Profiles



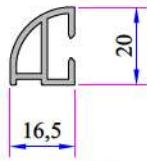
W 330 - W 332 Serie Profile



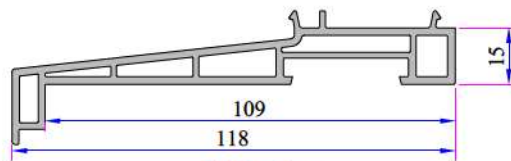
W 330 - W 332 Serie Profile



Single Glazing Bead 4mm
332.4000



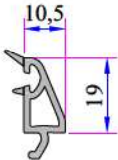
Offset Profile
900.6307



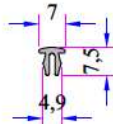
Sill Profile
058.5504



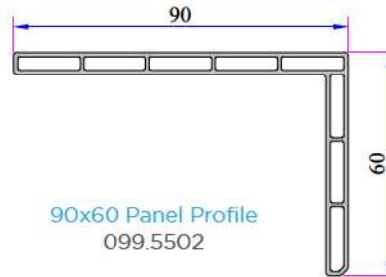
Universal Large Coupling
Cover Profile
058.5707



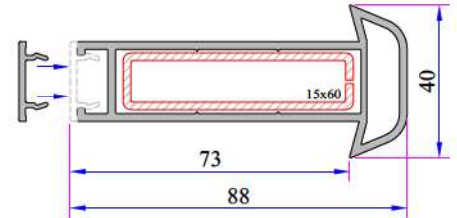
Double Glazing Bead
20mm
332.4100



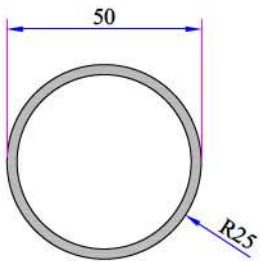
Frame Channel Cover
Profile
099.5703



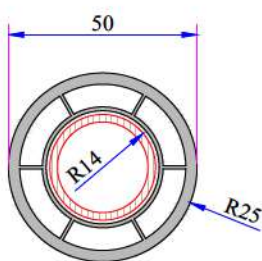
90x60 Panel Profile
099.5502



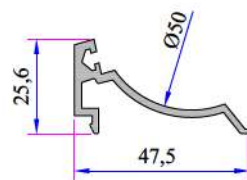
Universal Large Coupling
Profile
058.5000



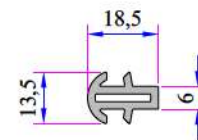
Angle Pipe Profile(Ø50)
050.5105



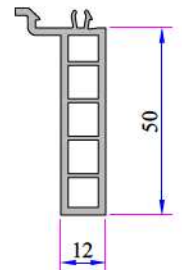
Angle Pipe Profile(Ø50)
050.5106



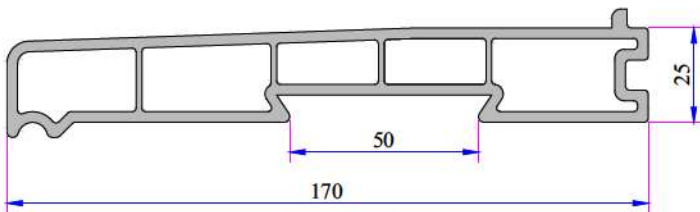
Alm. Angle Pipe Adaptor
Profile
(In Process)



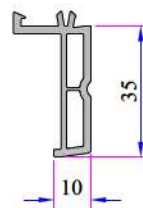
Short Coupling Profile
099.5003



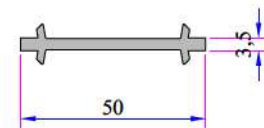
50mm Frame Sill Profile
099.5524



Sill Profile 170mm
099.5513

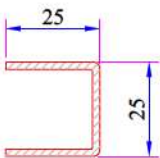


35mm Frame Sill Profile
099.5523

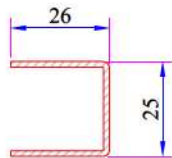


Narrow Coupling Profile 50mm
050.5001

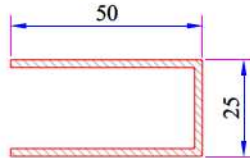
W 332 - W 330 Re-Reinforcement Profiles



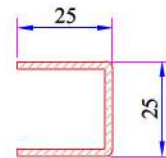
332 Frame - Mullion
Profile Reinforcement
34022-12003



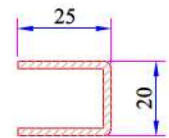
332 Sash Profile
Reinforcement
34022-12003



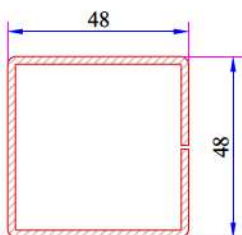
332 Door Sash Profile
Reinforcement
34022-12012



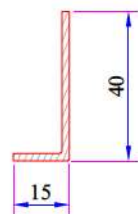
330 Frame - Sash - Mullion
- Outward Opening Sash
Profile Reinforcement
34022-12003



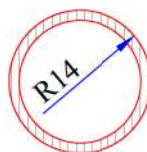
330 Frame With Sill
Profile Reinforcement
34022-12021



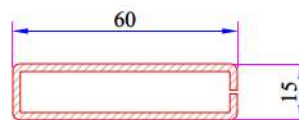
90° Corner Profile
Reinforcement
34022-12102



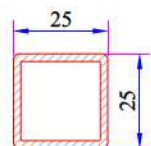
135° Corner Profile
Reinforcement
34022-12301



Pipe Profile
Reinforcement
34022-12503



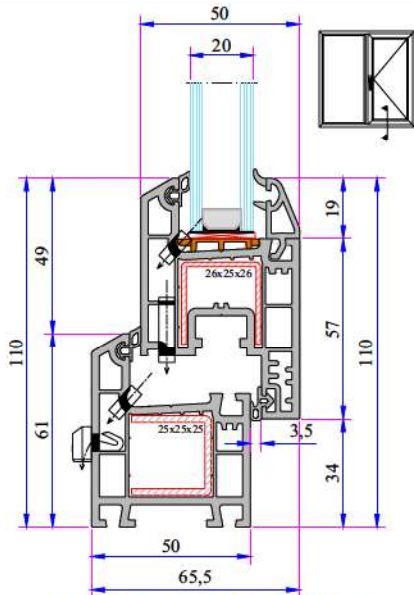
Universal Large Coupling
Profile Reinforcement
34022-12123



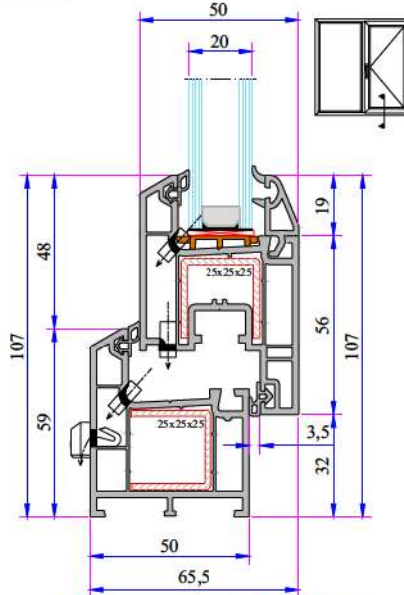
Mullion Profile Static
Reinforcement
34022-12122

**W 330 - 332 SERIES
PVC PROFILE SYSTEM**

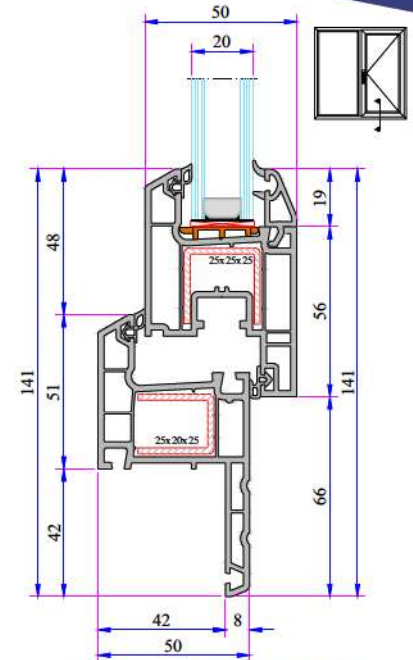
W 332 - W 330 Installation



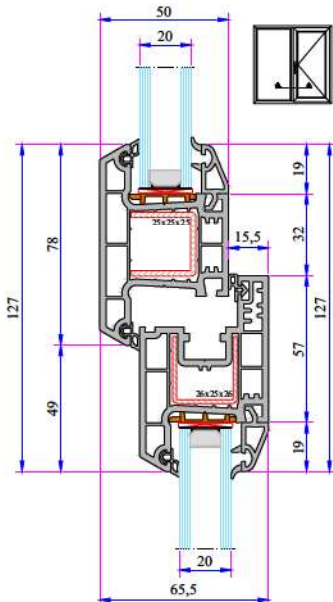
332 Frame - Sash Installation



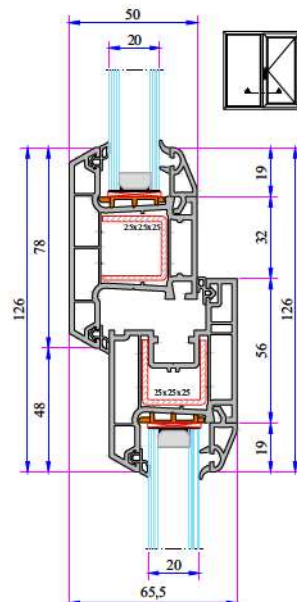
330 Frame - Sash Installation



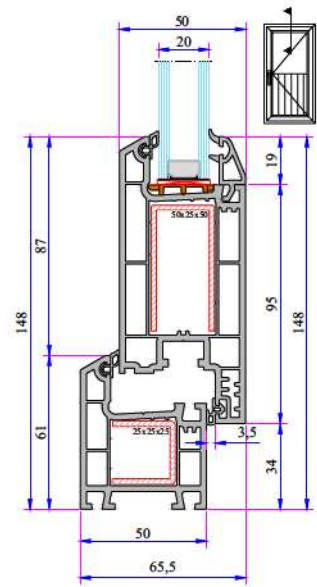
330 Frame Profile with Sill - Sash Installation



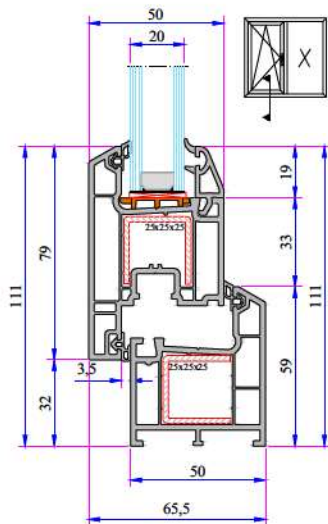
332 Mullion - Sash Installation



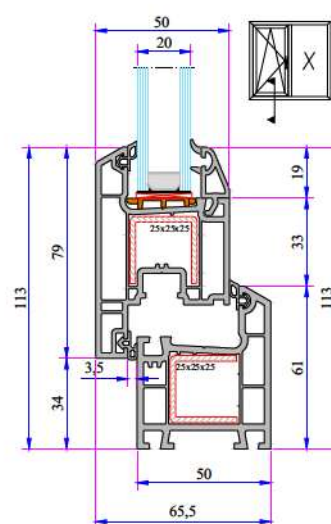
330 Mullion - Sash Installation



332 Frame - Door Sash Installation

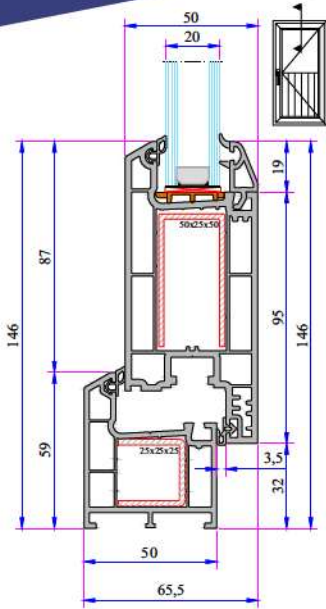


330 Frame - Outward Opening Sash Installation

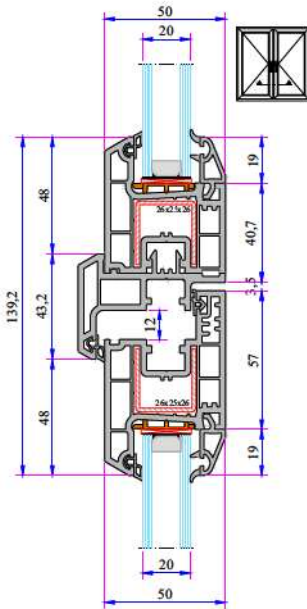


332 Frame - Outward Opening Sash Installation

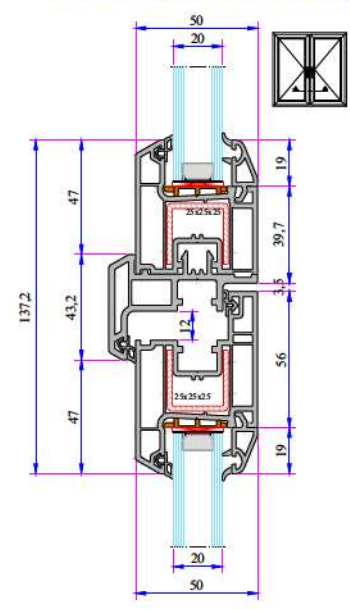
W 330 - 332 SERIES PVC PROFILE SYSTEM



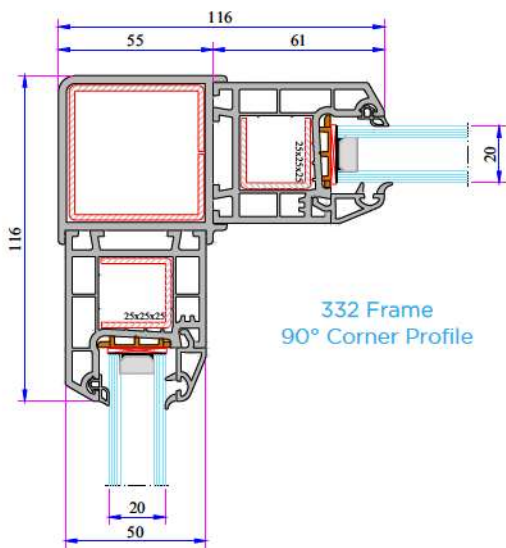
330 Frame - Door Sash Installation



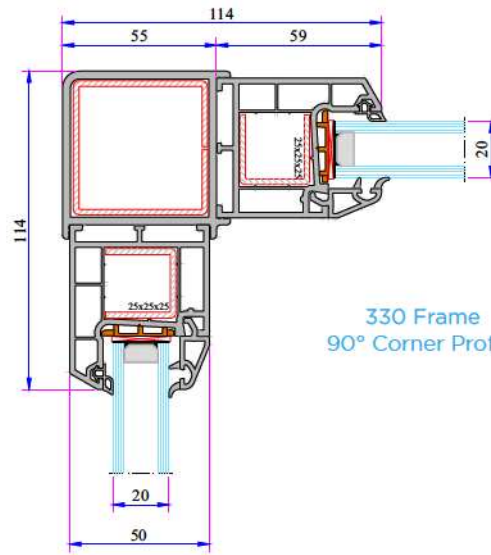
332 Sash - Lap Joint - Sash Installation



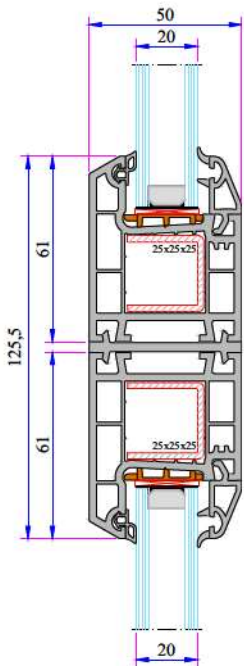
330 Sash - Lap Joint - Sash Installation



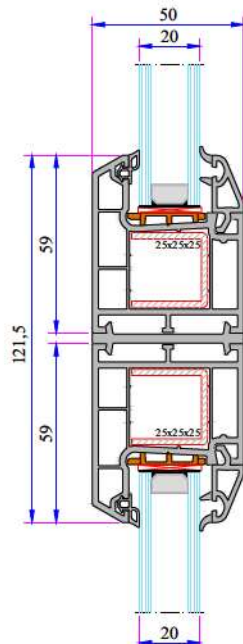
332 Frame 90° Corner Profile



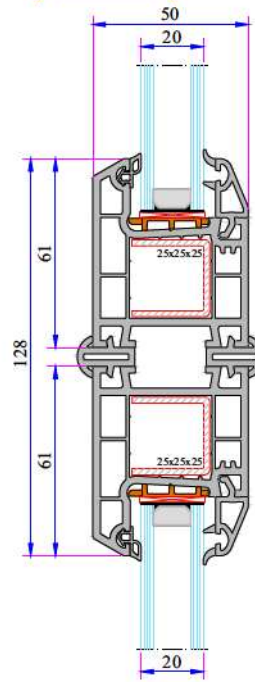
330 Frame 90° Corner Profile



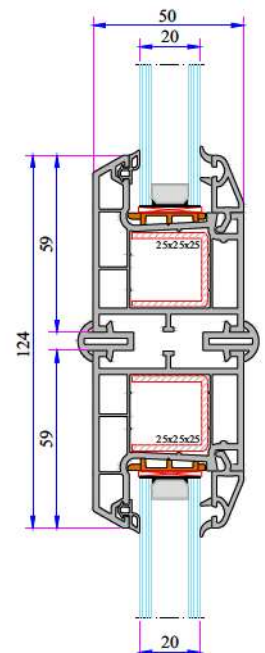
332 Frame - Narrow Coupling Profile



330 Frame - Narrow Coupling Profile

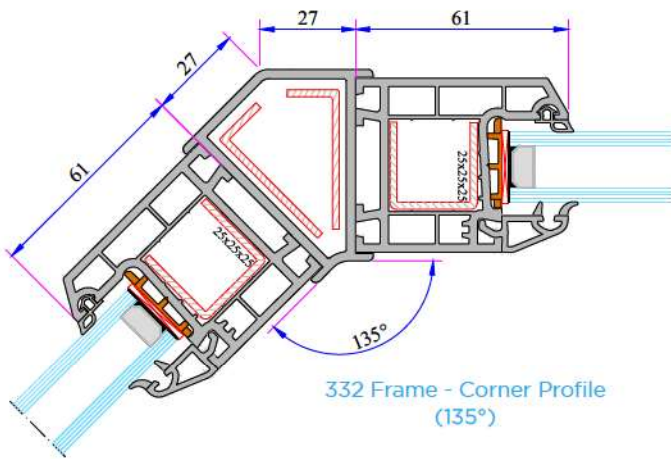


332 Frame - Short Coupling Profile

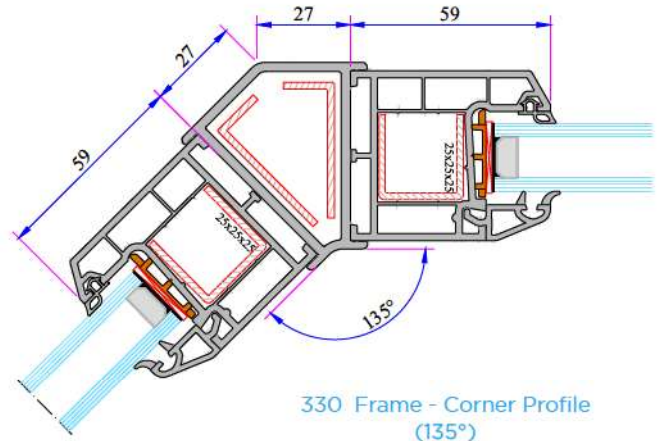


330 Frame - Short Coupling Profile

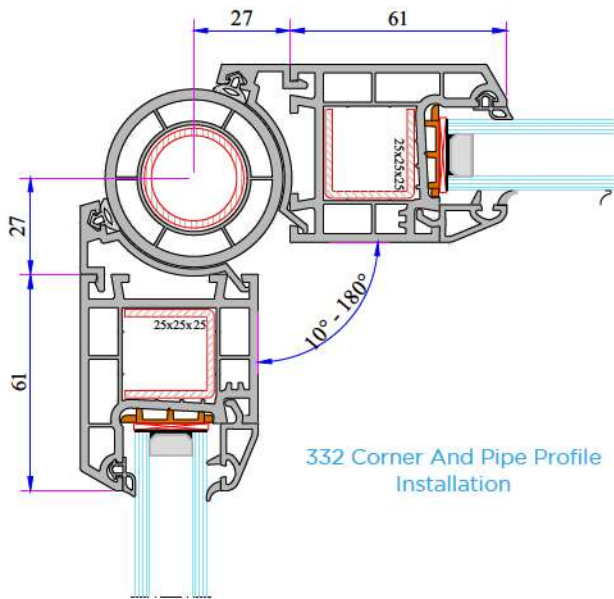
**W 330 - 332 SERIES
PVC PROFILE SYSTEM**



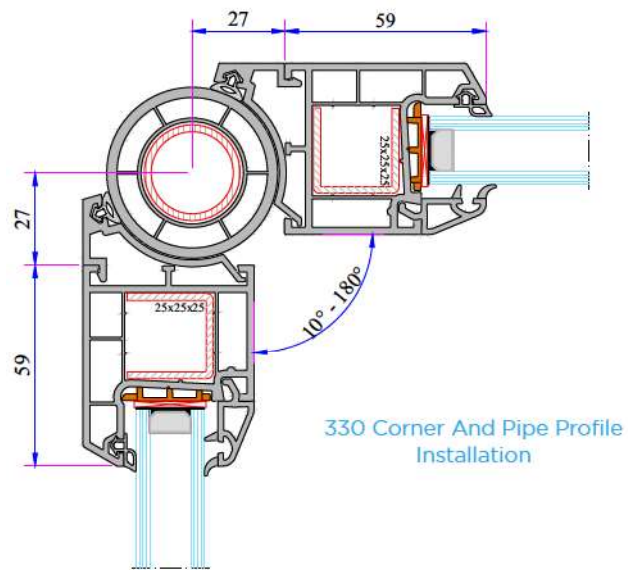
332 Frame - Corner Profile (135°)



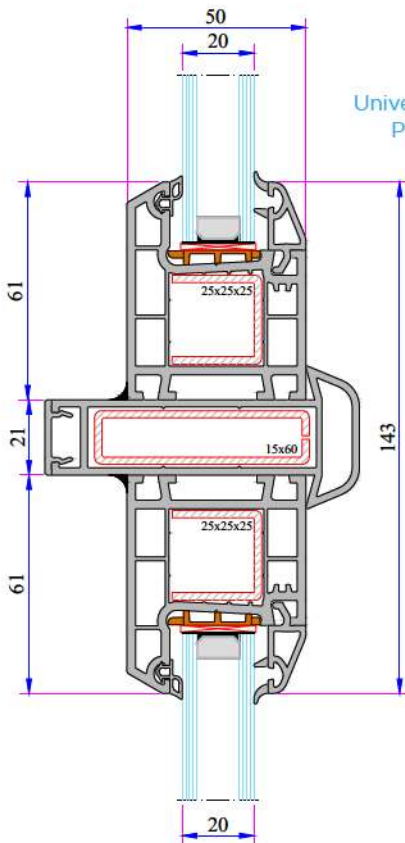
330 Frame - Corner Profile (135°)



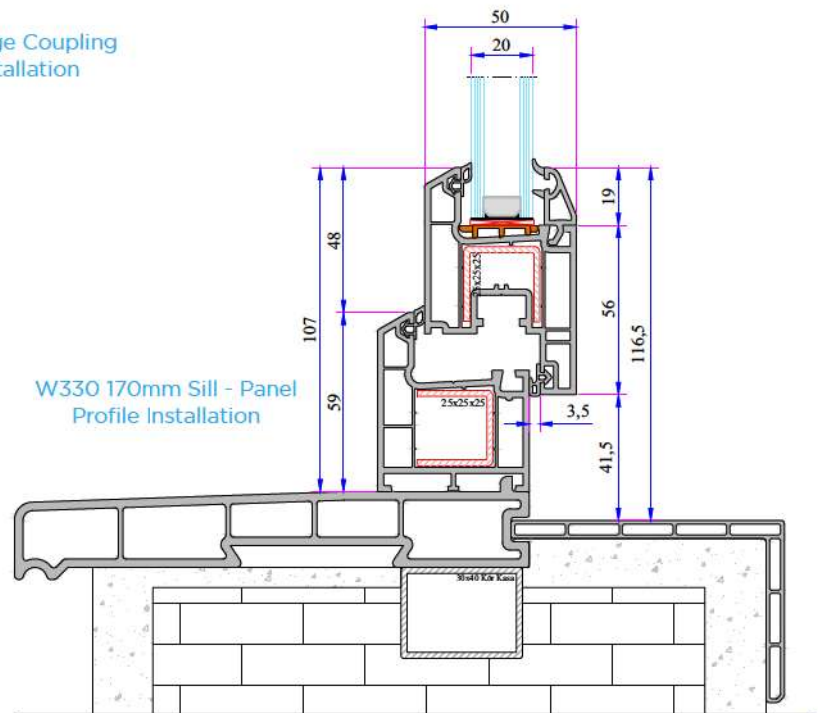
332 Corner And Pipe Profile Installation



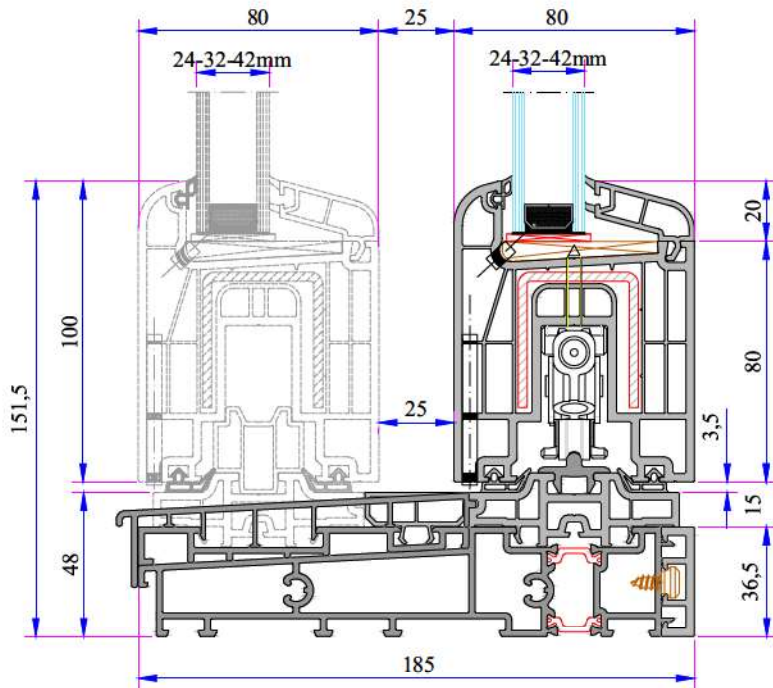
330 Corner And Pipe Profile Installation



Universal Large Coupling Profile Installation



W330 170mm Sill - Panel Profile Installation



TECHNICAL

W 880 HEBESCHIEBE SERIES

Profile Width: 185 mm frame, 80mm sash.

Number of chambers: 5 chambers system

Profile Class: A Class (TS EN 12608-1)
RAL 716-GZ

Seal Type: External / Internal double seal system

Seal Type and Color: TPE - Grey /Black

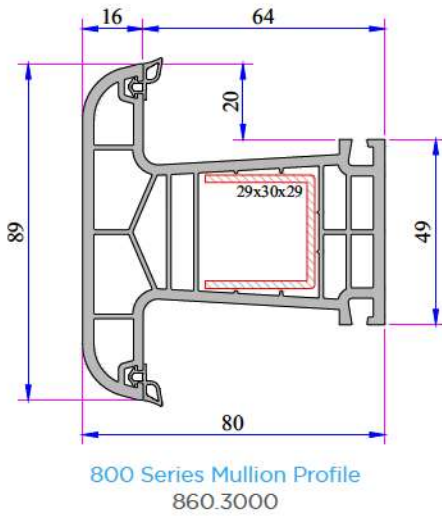
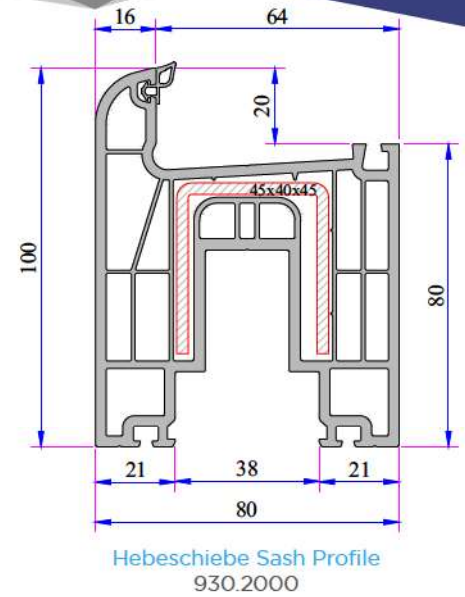
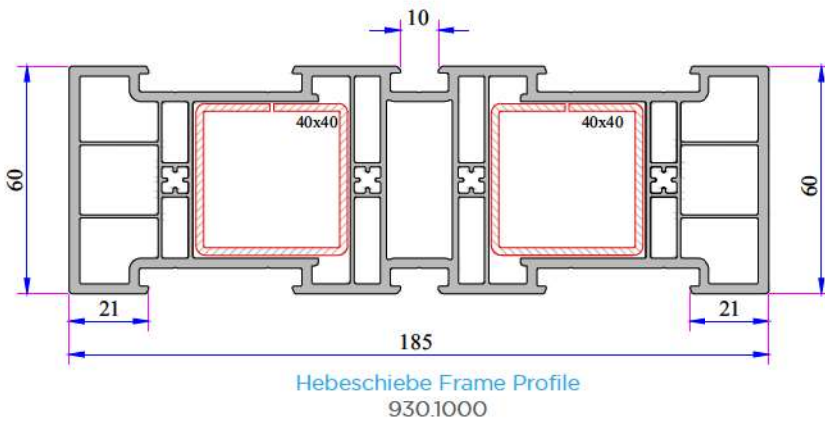
Glass Thickness (mm): 24, 32, 42 mm

The thermal insulation Uf: 1,5 W/m²K

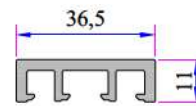
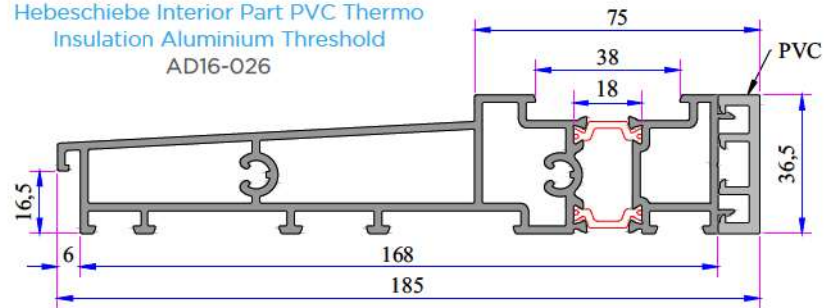
INSTRUCTION

- 185 mm Frame, 80 mm sash profile combination.
- Because of the elastic grey and black seal which does not leave any stain on profiles will be provided maximum air, water, dust and sound isolation.
- Color range for laminated products.

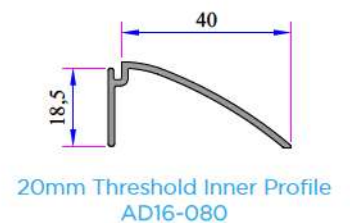
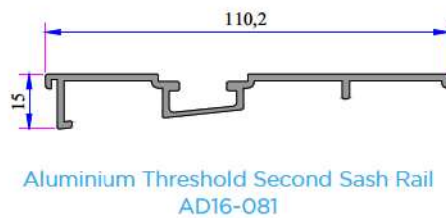
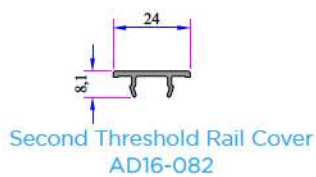
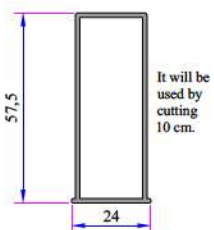
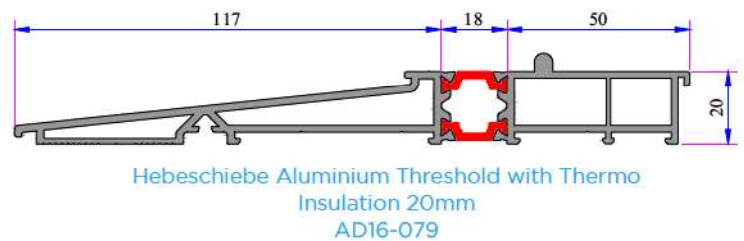
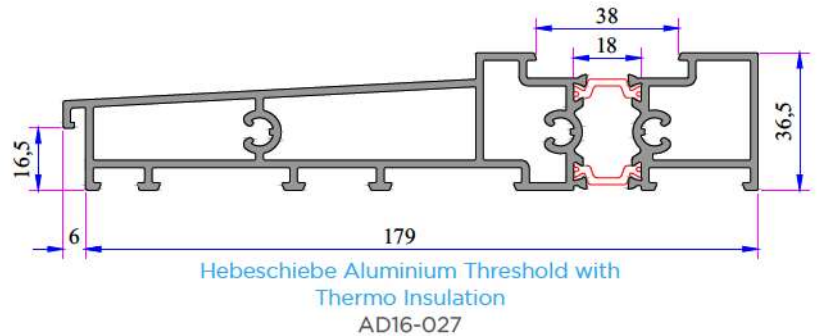
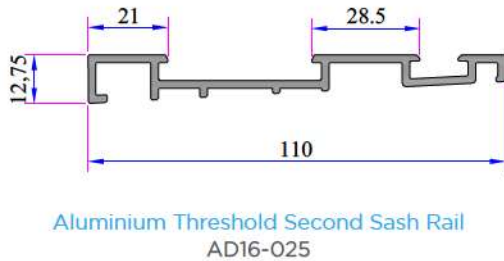
W 880 HEBESCHIEBE SERIES PVC PROFILE SYSTEM

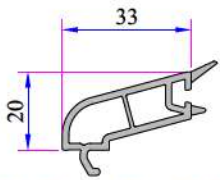


Hebeschiebe Interior Part PVC Thermo
Insulation Aluminium Threshold
AD16-026

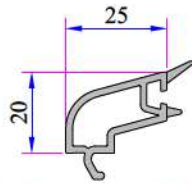


Aluminium Threshold Back Cover (PVC)
930.6502

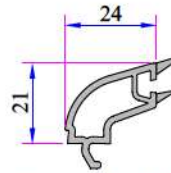




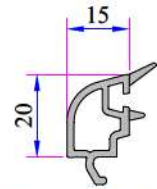
Double Glazing Bead (24mm)
800.4200



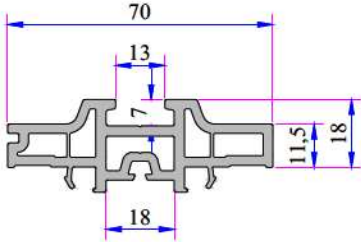
Triple Glazing Bead (32mm)
800.4500



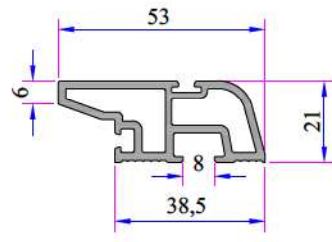
Triple Glazing Bead (32mm)
750.4204



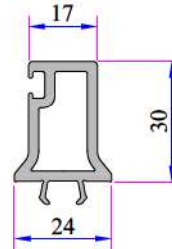
Triple Glazing Bead (42mm)
800.4600



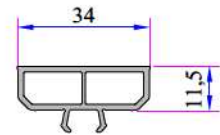
Hebeschiebe Sash and Rail
Adaptor
930.6500



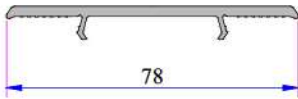
Hebeschiebe Sash Lap Strip
Profile
930.6504



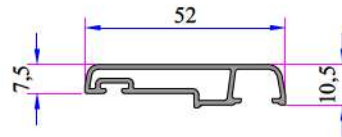
Hebeschiebe Frame Middle
Adaptor
900.6503



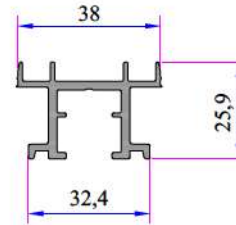
Hebeschiebe Sash Frame Middle
Channel Cover
930.6505



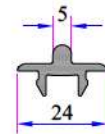
Hebeschiebe Sash Back &
Frame Channel Cover
930.6506



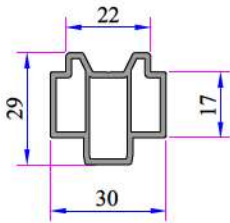
Frame Out Cornice Alm.
AD16-022



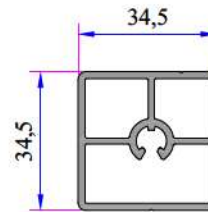
Frame Top Rail Aluminium
AD16-019



Sash Lower Rail Aluminium
AD16-020

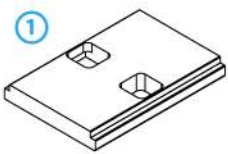


Stable Guide For Sash
Aluminium
AD16-021

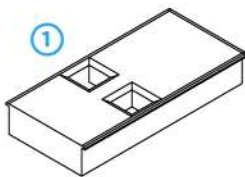


Frame Internal Puller
Aluminium (8cm)
AD16-023

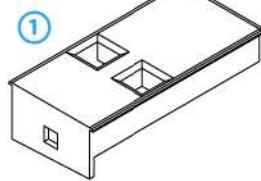
Hebeschiebe Set Accessories



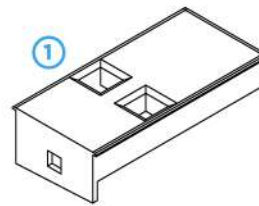
PVC Ve Alm. Lower
Frame Corner
Connection



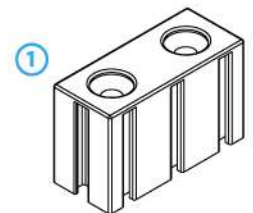
Multi Sash Below
Part Impermeability



Double Sash Lower
Middle Right Part
Impermeability



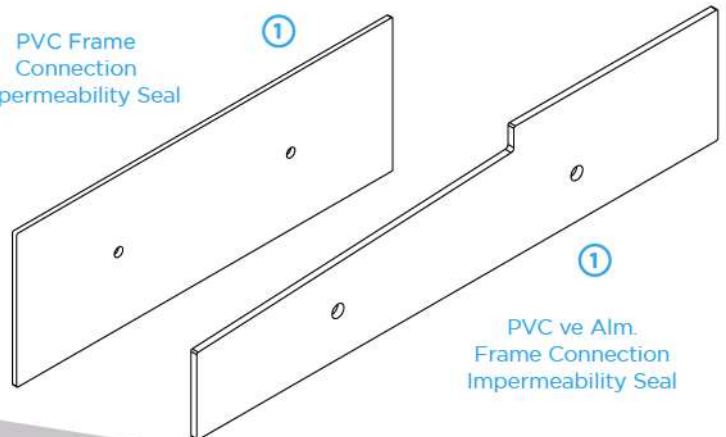
Double Sash
Lower Middle Part
Impermeability



Frame - Sash
Upper Middle
Impermeability

- ① 34068-20110 ALUMINIUM FRAME SET RIGHT WHITE
- ① 34068-20111 ALUMINIUM FRAME SET RIGHT BLACK
- ① 34068-20120 ALUMINIUM FRAME SET LEFT WHITE
- ① 34068-20121 ALUMINIUM FRAME SET LEFT BLACK
- ① 34068-20130 PVC FRAME SET WHITE
- ① 34068-20131 PVC FRAME SET BLACK

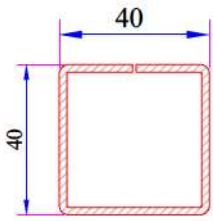
PVC Frame
Connection
Impermeability Seal



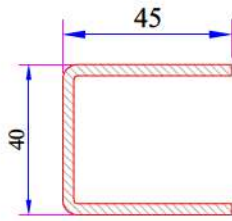
PVC ve Alm.
Frame Connection
Impermeability Seal

W 880 HEBESCHIEBE SERIES PVC PROFILE SYSTEM

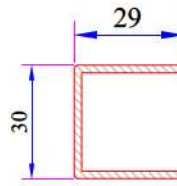
W 880 Hebeschiebe Re-Inforcement Profiles



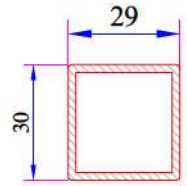
Hebeschiebe Frame Profile
Reinforcement
34022-20110



Hebeschiebe Sash Profile
Reinforcement
34022-25001

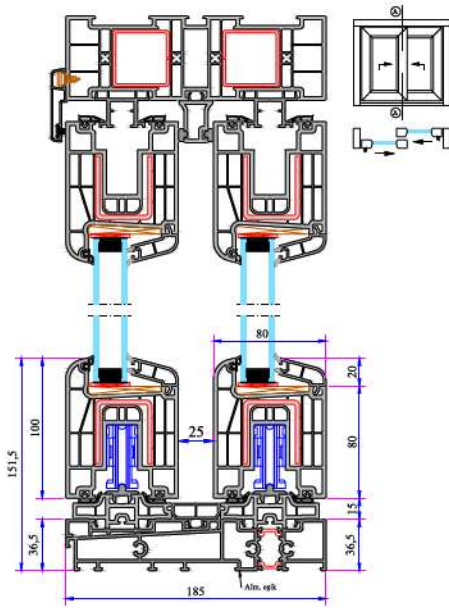


Mullion Profile
Reinforcement
34022-15002

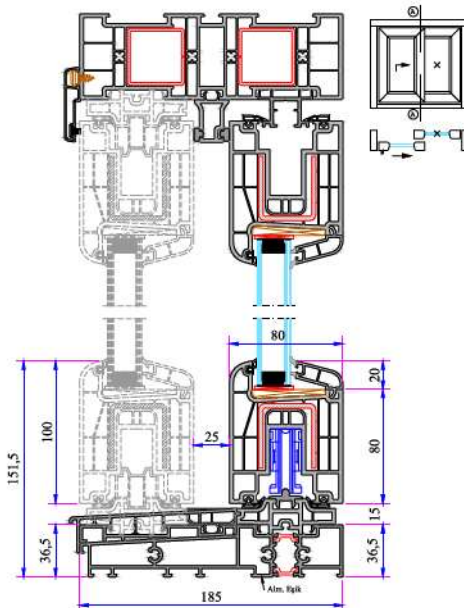


Mullion Profile Static
Reinforcement
34022-15129

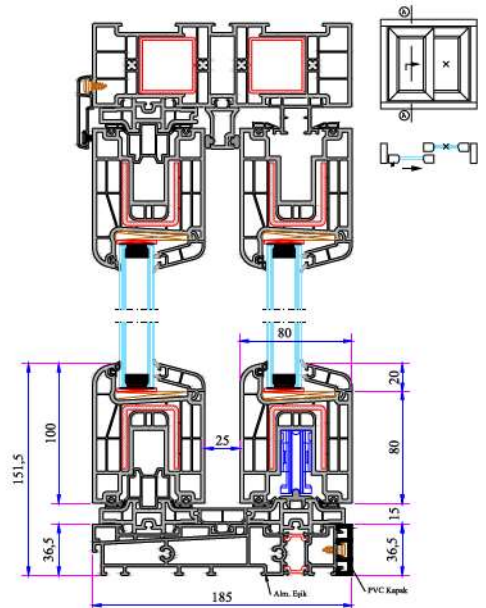
W 880 Hebeschiebe Installation



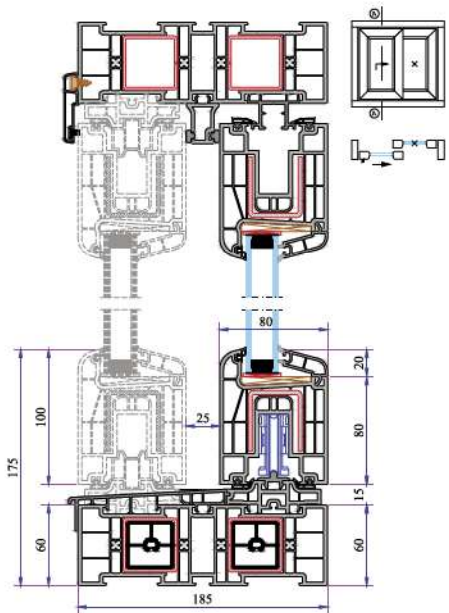
Sliding Double Sash - Aluminium
Threshold Installation



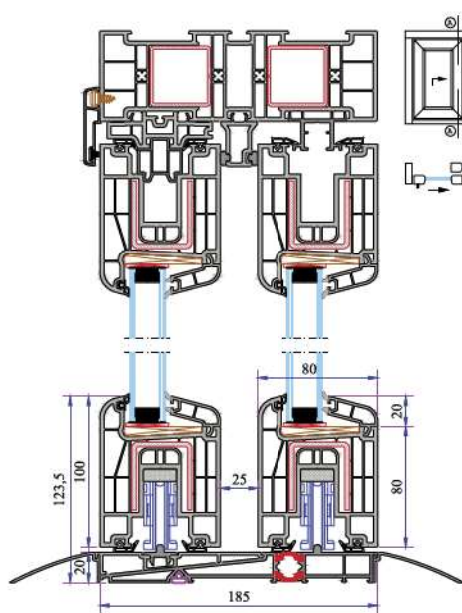
Single Sash Sliding - Lower Sill
Aluminium Installation



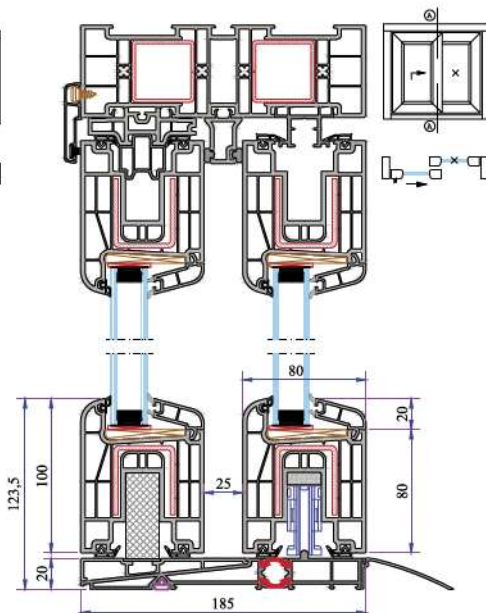
Single Sash Sliding - Lower Sill
Aluminium - PVC Cover Installation



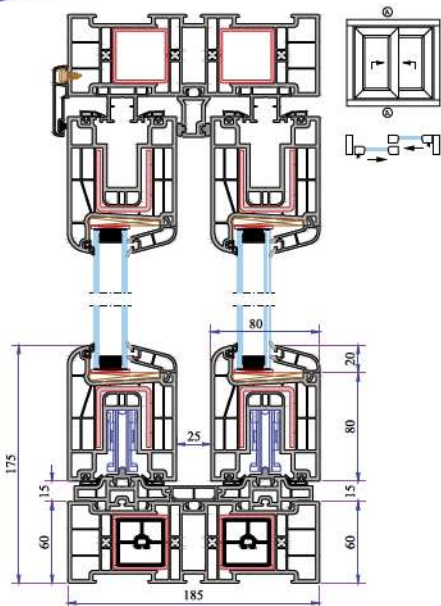
Single Sash Sliding Lower Sill PVC
Installation



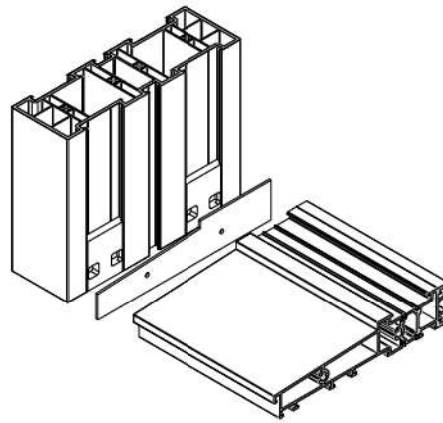
Double Sash Sliding - Lower Sill
20mm Aluminium Installation



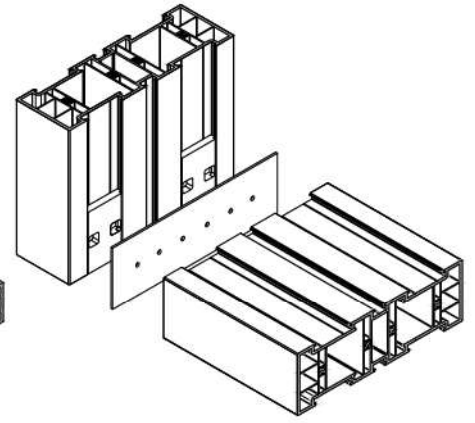
Single Sash Sliding - Lower Sill
20mm Aluminium Installation



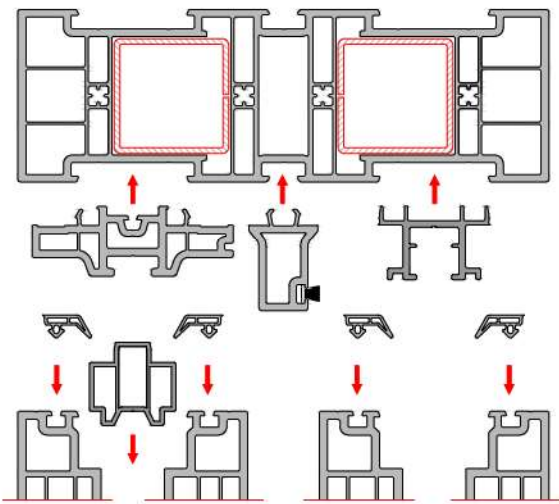
Double Sash Sliding - PVC Frame Installation



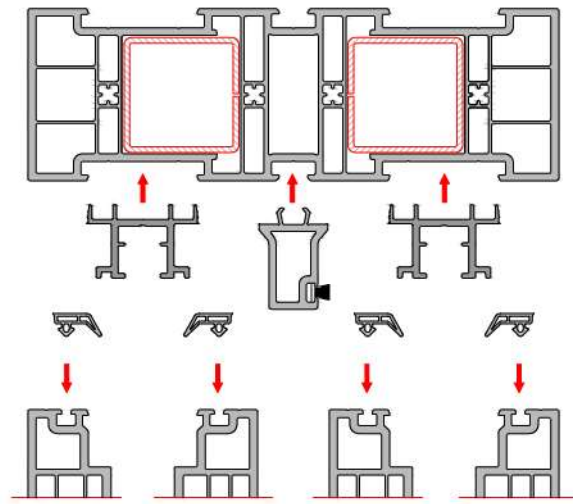
Frame - Alm. Threshold Connection Installation



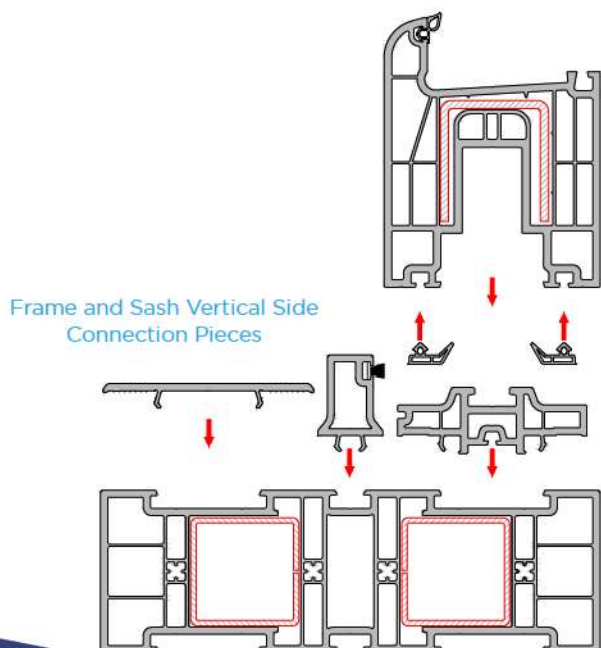
Frame Corner Connection Installation



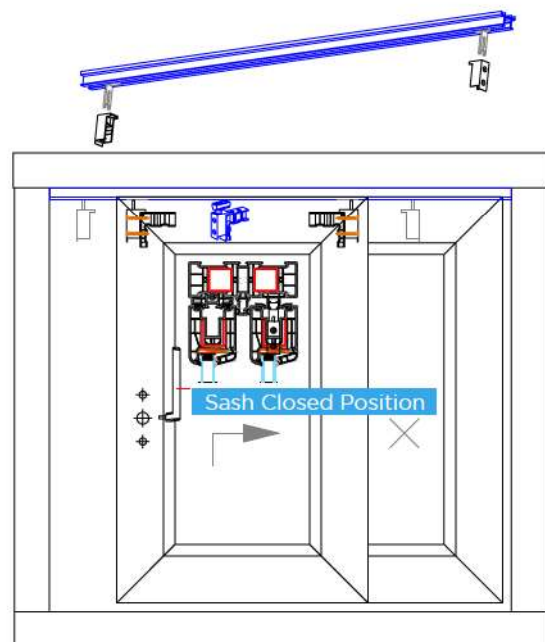
1 Sliding Sash System - Frame and Sash Installation



2 Sliding Sash System - Frame and Sash Installation

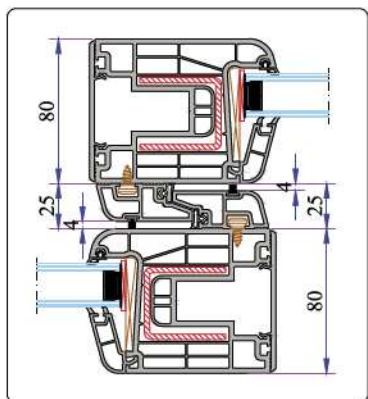


Frame and Sash Vertical Side Connection Pieces

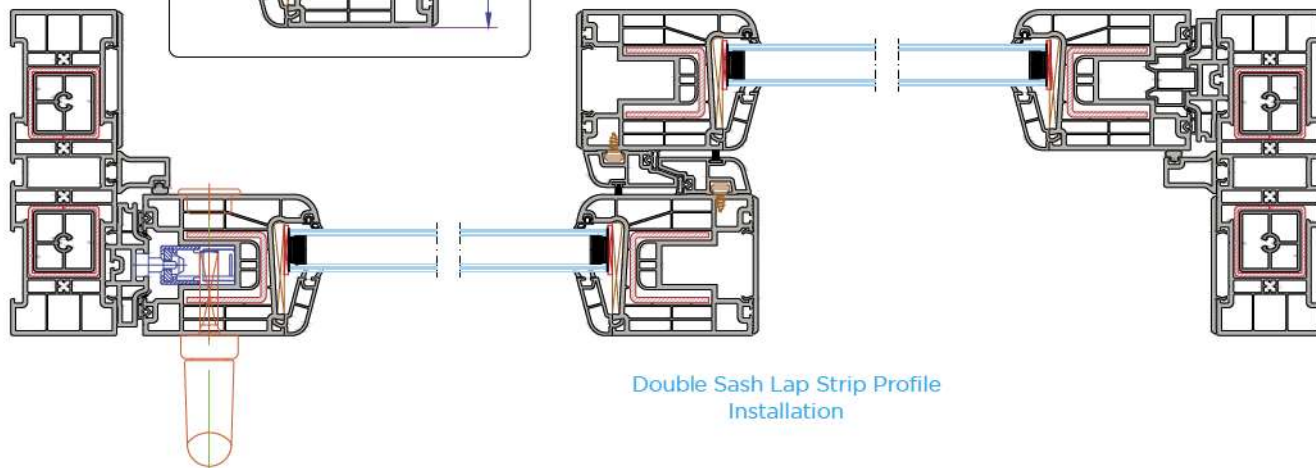
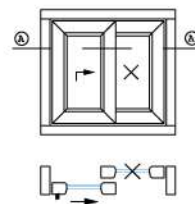


Top Rail Connection

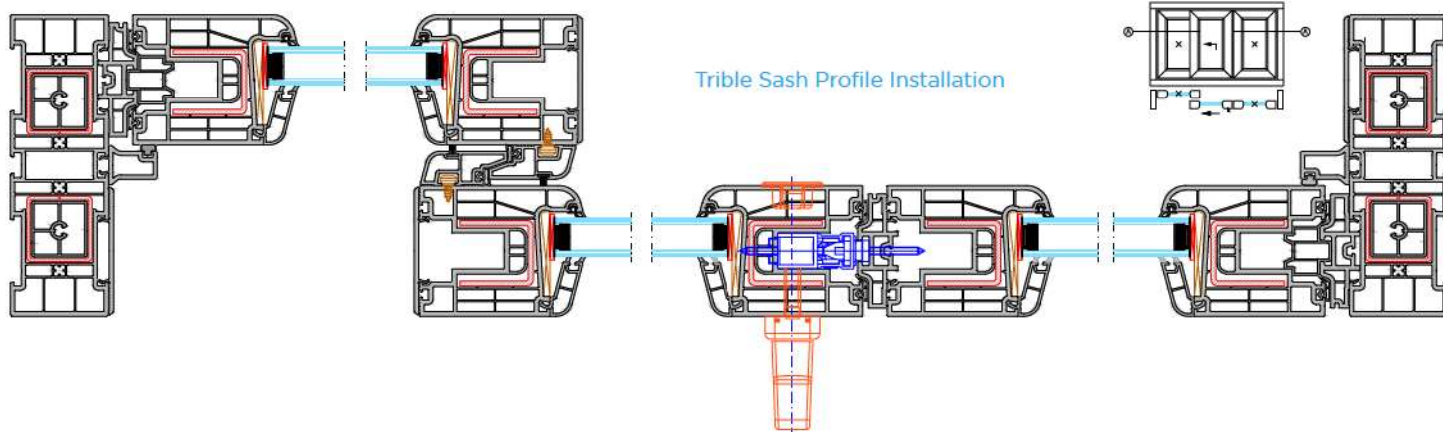
**W 880 HEBESCHIEBE SERIES
PVC PROFILE SYSTEM**



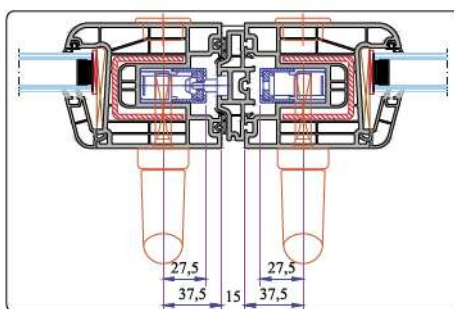
Sash Lap Strip Profile Installation



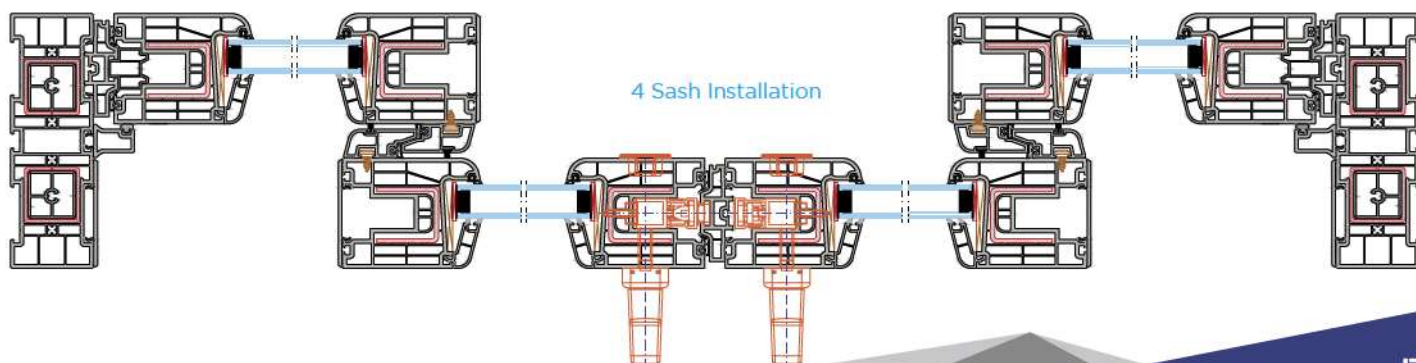
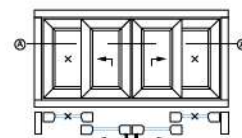
Double Sash Lap Strip Profile Installation



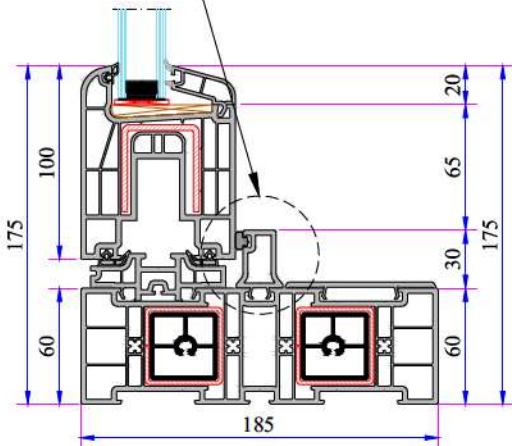
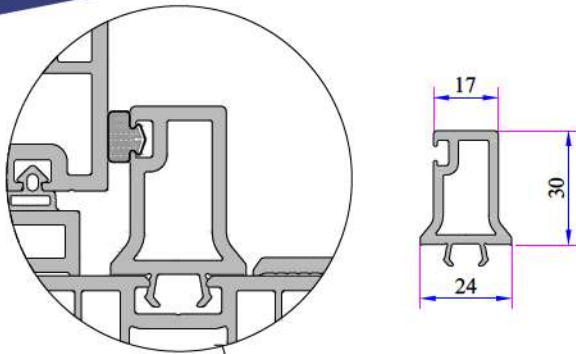
Triple Sash Profile Installation



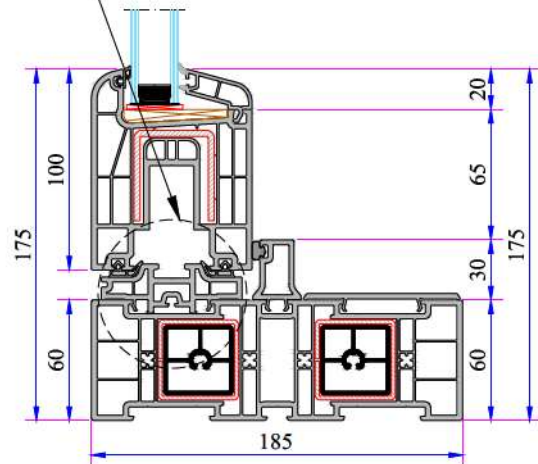
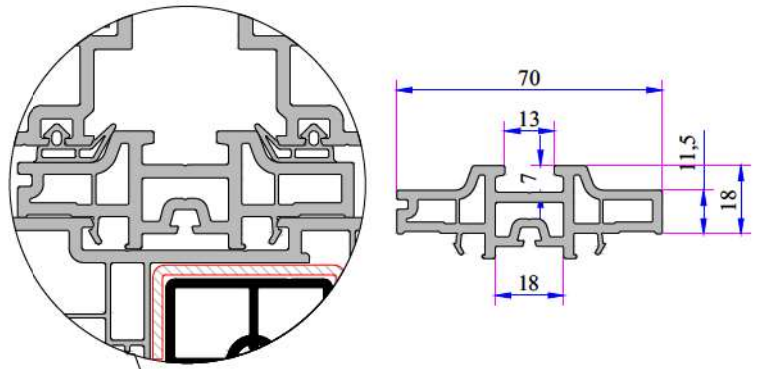
Sash and Rail Adaptor Installation



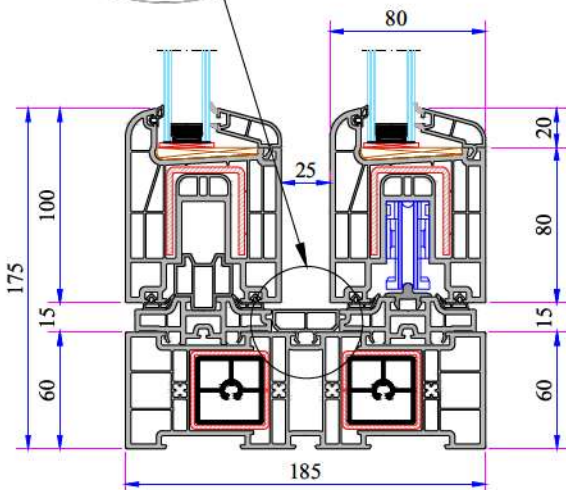
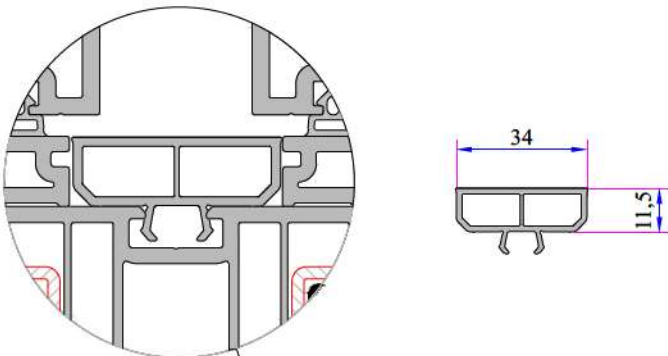
4 Sash Installation



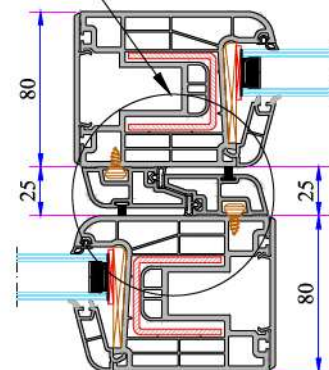
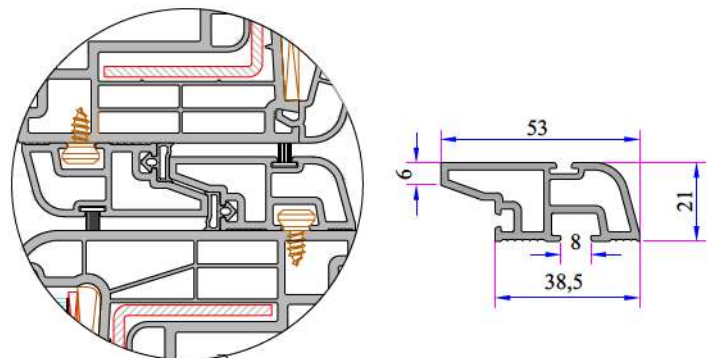
Hebeschiebe Frame Middle Adaptor
Installation



Hebeschiebe Sash and Rail Adaptor
Installation

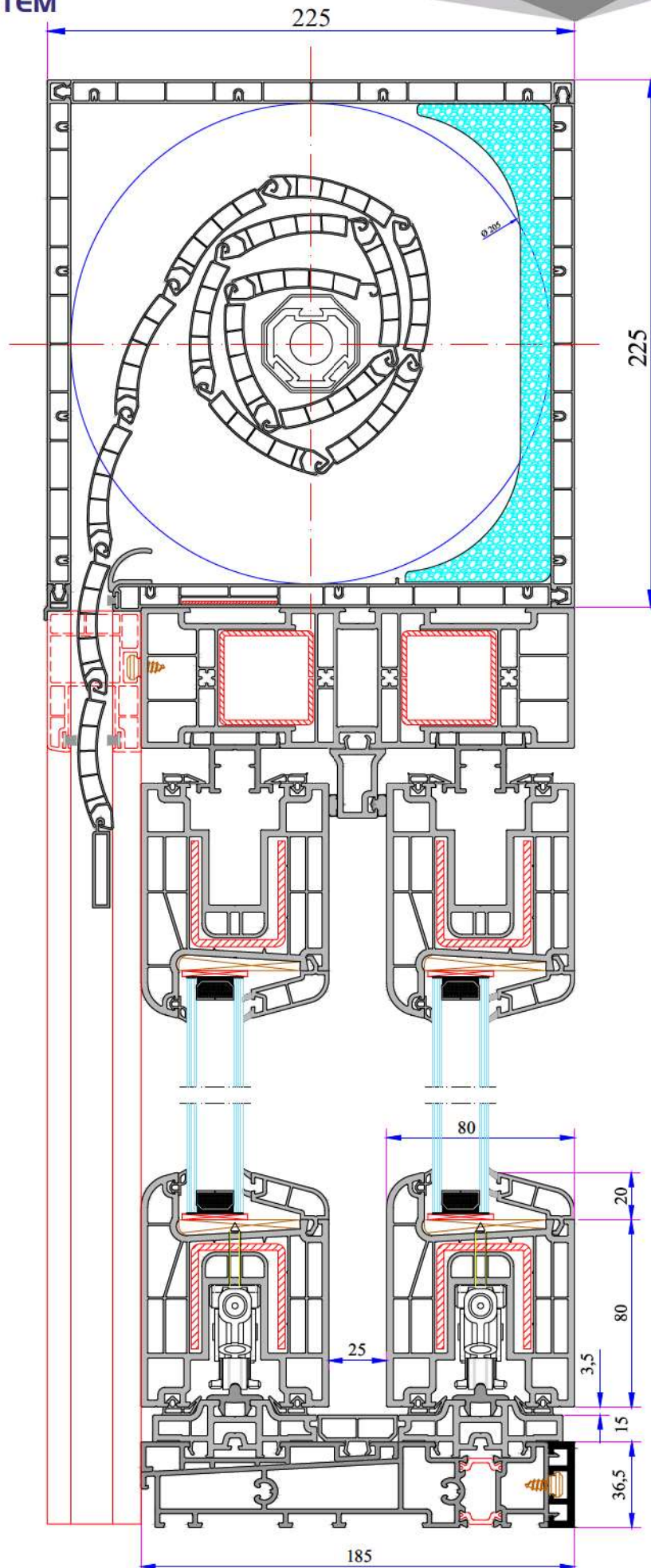


Hebeschiebe Sash Frame Middle
Channel Cover Installation



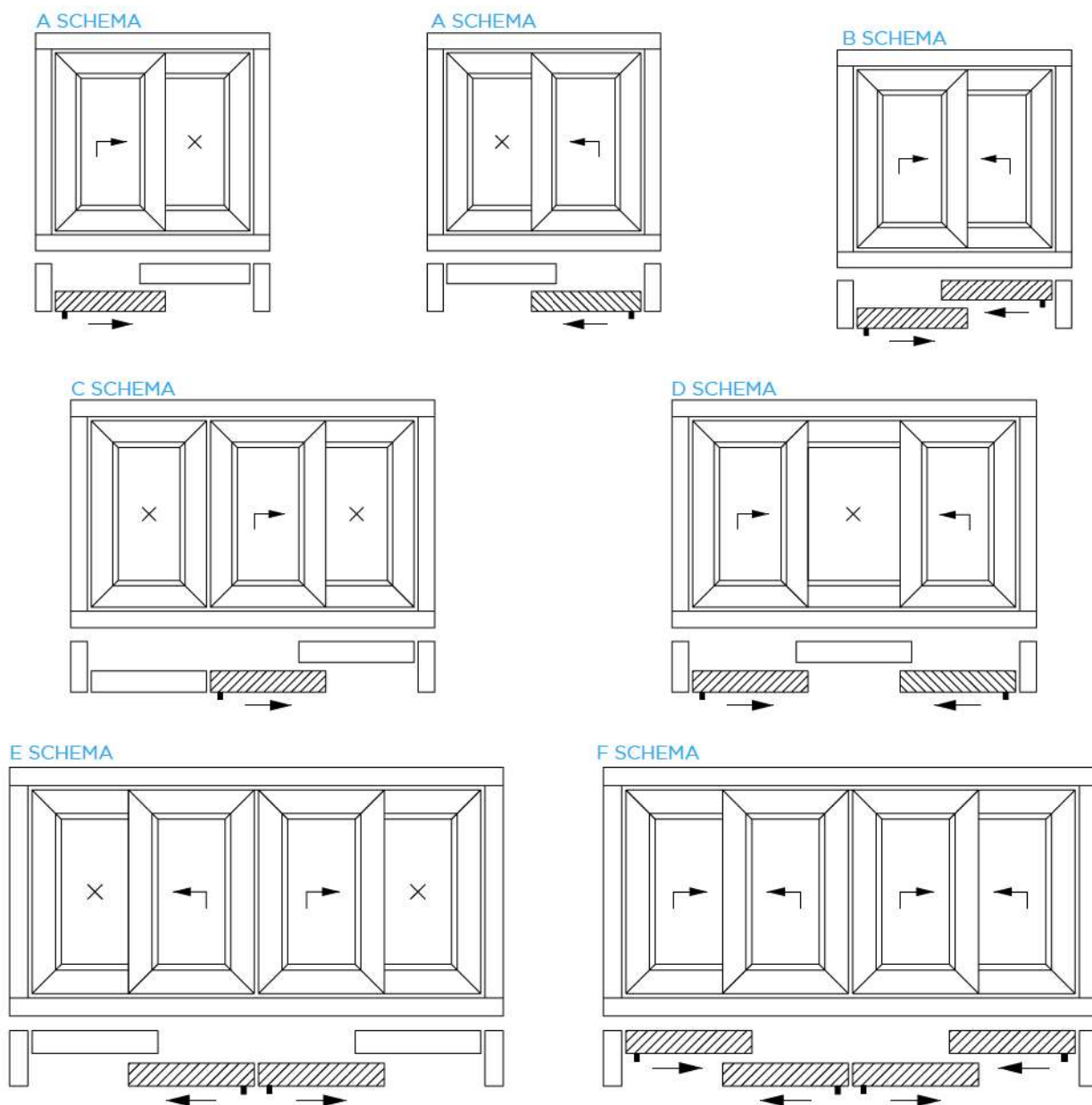
Hebeschiebe Sash Lap Strip Profile
Installation

W 880 HEBESCHIEBE SERIES
PVC PROFILE SYSTEM



225x225 Roller Shutter Box Application In Hebeschiebe Sliding System
(55-37-39-40mm Slip Applicable)

THE APPLICATIONS OF HEBESCHIEBE SYSTEM



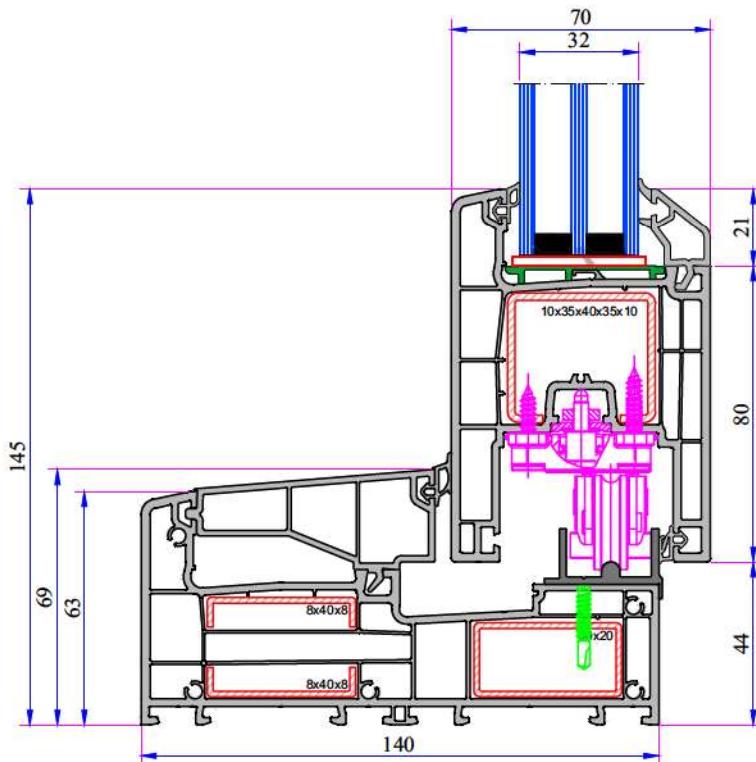
W 880 MAXIMUM MEASUREMENT

For W 880 series Windows, the maximum installation measurements (width/ height) are written on below chart. The specified measurements can not be exceeded.

Description	White Profile		Colored Profile	
	(A - B) Double Sash	(C-D-E-F) Multi Sash	(A - B) Double Sash	(C-D-E-F) Multi Sash
Width (m)	6 m	6,5 m	5 m	6,5 m
Height (m)	2.7 m	2.7 m	2.4 m	2.4 m
Space of Glass (m ²)	6.5 m ² x 2	-	5.5 m ² x 2	-
Surface Area of Window (m ²)	16.2 m ²	17,5 m ²	12 m ²	15,6 m ²

The accessories of the system can handle (include also glass) maximum 300 kg. If the sash weight is more than 400 kg it, has to be used necessary accessories for this weight.





TECHNICAL

THERMO SLIDE 770

Profile Width : 140mm Frame, 70mm Sash

Number of chambers : 4

Profile Class : B Class (TS EN 12608-1)

Seal Type : External-Internal double seal system

Seal Type and Color : EPDM -TPE - Grey / Black

Glass Thickness (mm) : 4, 20, 24, 28, 32, 40, 42mm

The thermal insulation U_f : 1,40 W/m²K

INSTRUCTION

Thermo Sliding System, which offers maximum insulation and ease of use by combining large and modern living spaces with full security based on its high security performance, has 140 mm frame and 70 mm wing width. Compared to the existing classic sliding systems with bristle weatherstrip; it has maximum air and water tightness thanks to the inner and outer sealed joint details.

It offers energy efficiency and comfortable living spaces with high thermal insulation, thanks to the application of glass thickness up to 42 mm.

You can create a comfortable living space by combining your garden with your living room, because it can be produced in large sizes up to 6 meters width and 2.5 meters height with its two-partition and four-partition options.

Thanks to the large glass surfaces created, you can feel the wide and spacious views inside your home.

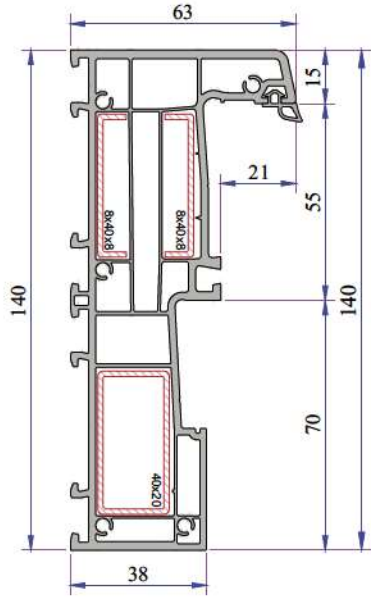
It offers the possibility of use on high floors with the alternatively-designed static, mullion profiles.

With the new generation sliding accessories used in the system, it can be opened and closed without any efforts and does not allow the system to break down due to wrong use.

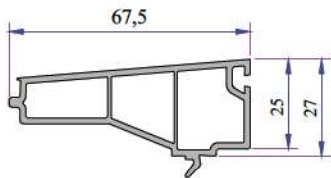
Due to its system features, it ensures locking with maximum pressure in the frame and wing joints. If you want to ventilate the space, it is possible to ensure ventilation by moving the wing inwards by 4 mm.

Specially-designed laths are available in many options such as 20 mm, 24 mm, 28 mm, 32 mm, 40 mm and 42 mm.

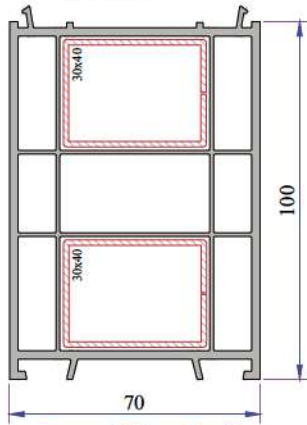
770 THERMO SLIDING SERIES PVC PROFILE SYSTEM



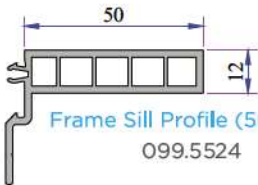
Frame Profile
770.1100



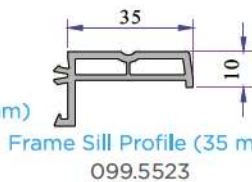
W 770 Frame Cover
770.5703



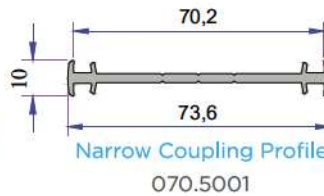
Frame Lifting Profile
070.5302



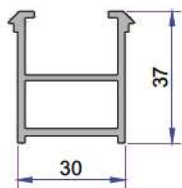
Frame Sill Profile (50mm)
099.5524



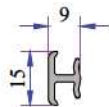
Frame Sill Profile (35 mm)
099.5523



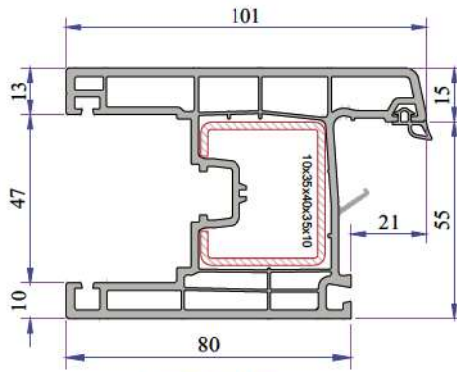
Narrow Coupling Profile
070.5001



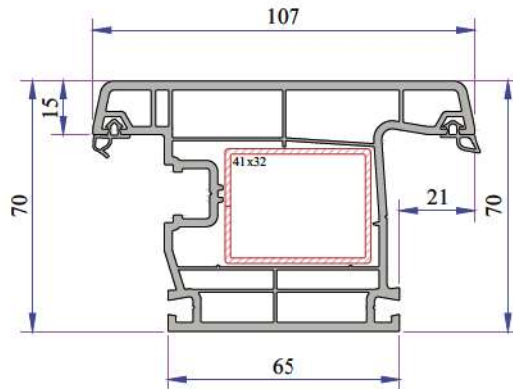
Frame Montage Profile
060.5301



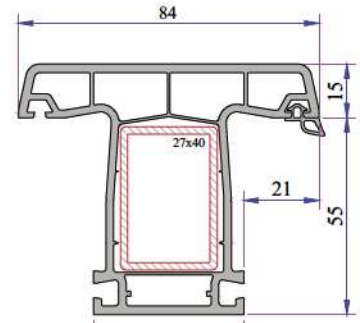
Universal Short Coupling Profile
099.5004



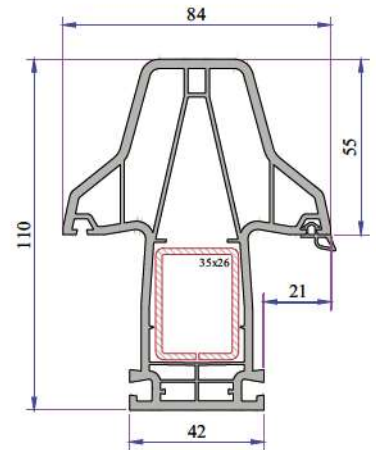
Sash Profile
770.2301



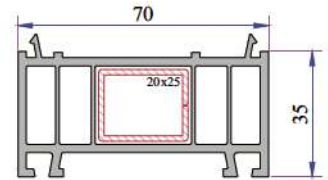
Outward Opening Door Sash Profile
750.2101



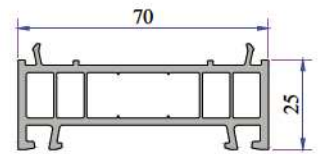
Mullion Profile
770.3201



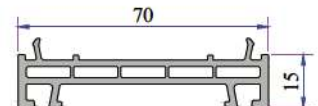
790 Serie Mullion Profile
790.3000



Frame Lifting Profile
070.5300



Frame Lifting Profile (70mm*25mm)
070.5306



Frame Lifting Profile (70mm*15mm)
070.5304



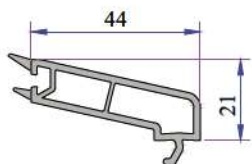
Frame Seal Epdm
Ado - 13
34024-11070



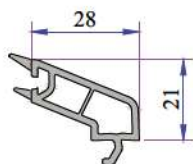
Sash Seal Epdm
Ado - 14
34024-12070



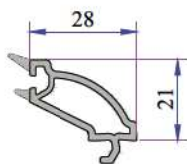
Rubber Band
Epdm Bnt-05
34024-13010



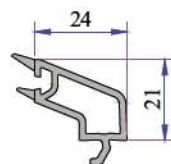
4-6mm Single
Glazing Bead
750.4000



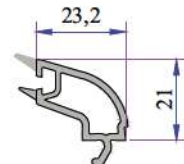
20mm Double
Glazing Bead
750.4100



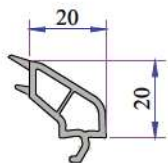
20mm Decorative
Double Glazing Bead
750.4102



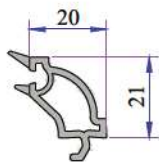
24mm Double
Glazing Bead
750.4200



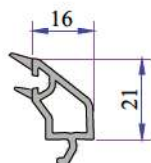
24mm Decorative
Double Glazing Bead
750.4204



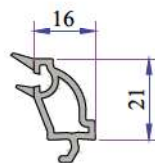
28mm Double
Glazing Bead
101.4100



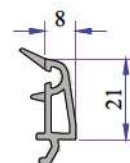
28mm Decorative
Double Glazing Bead
101.4102



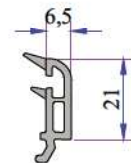
32mm Triple
Glazing Bead
750.4500



32mm Decorative
Triple Glazing Bead
750.4201

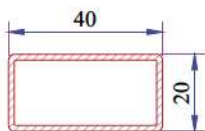


40mm Triple
Glazing Bead
101.4500

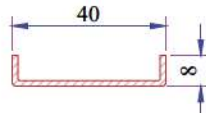


42mm Triple
Glazing Bead
532.4500

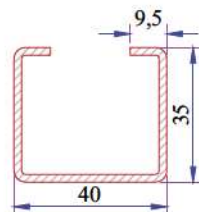
W 770 Re-Inforcement Profiles



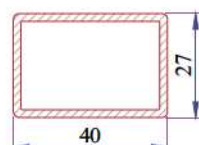
Frame Reinforcement
34022-15114



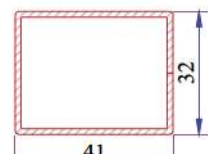
Frame Reinforcement
34022-15047



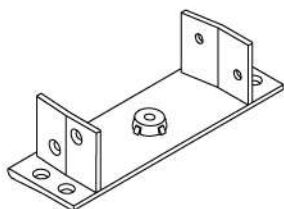
Sash Reinforcement
34022-15132



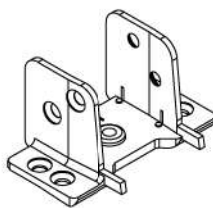
Mullion Reinforcement
34022-15131



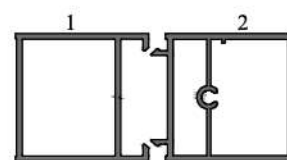
Static Mullion Reinforcement
34022-15120



Outward Opening Door
Sash Connector
34007-12150



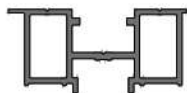
Mullion Connector
20252.0750.0.2



AD 16 - 077 AD 16 - 078
Aluminium Mullion Profile



Alm. Back Cover Profile
AD 16 - 075



Aluminium
Espagnolette Adapter
AD 16 - 063



Aluminium Bottom Rail
AD 16 - 064



Aluminium Top Rail
AD 16 - 065



Aluminium Espagnolette
Runner Rail
AD 16 - 066



Aluminium Frame
Channel Cover
AD 16 - 067

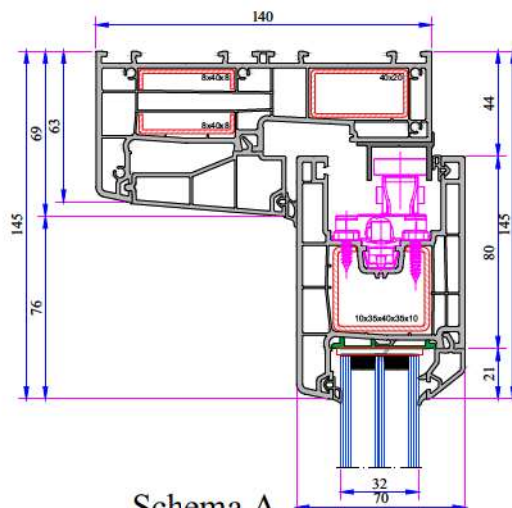


Aluminium Double
Sash Adaptor Profile
AD 16 - 068

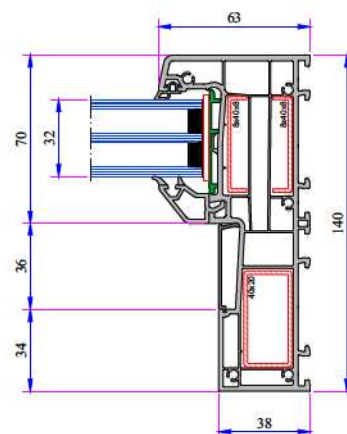


Aluminium Double
Sash Overlay Profile
AD 16 - 069

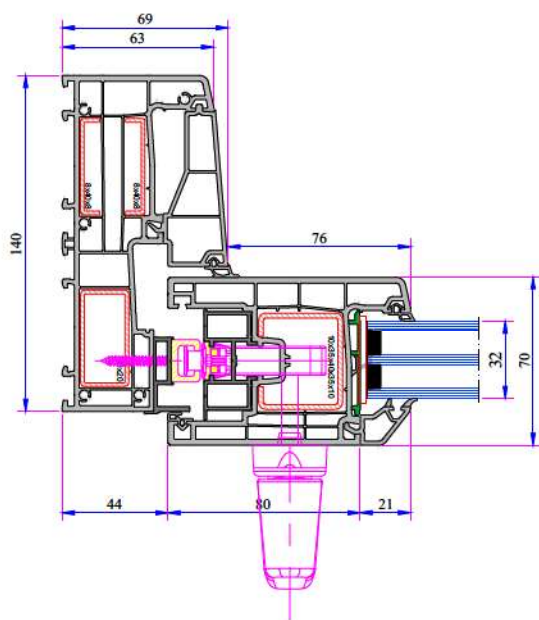
Section Number 3



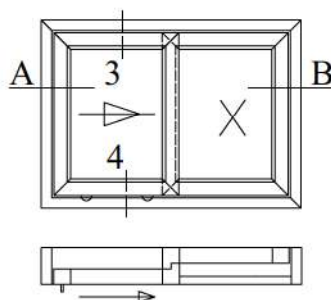
B Section



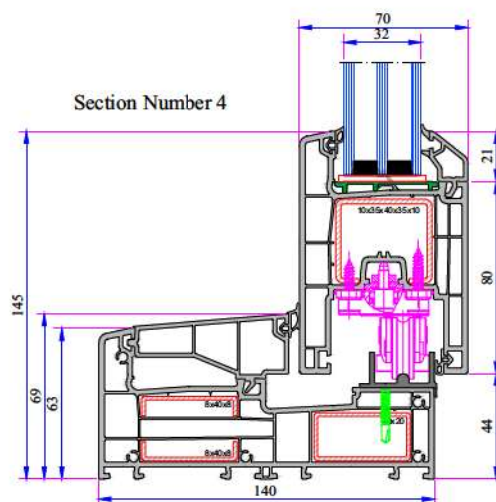
A Section



Schema A

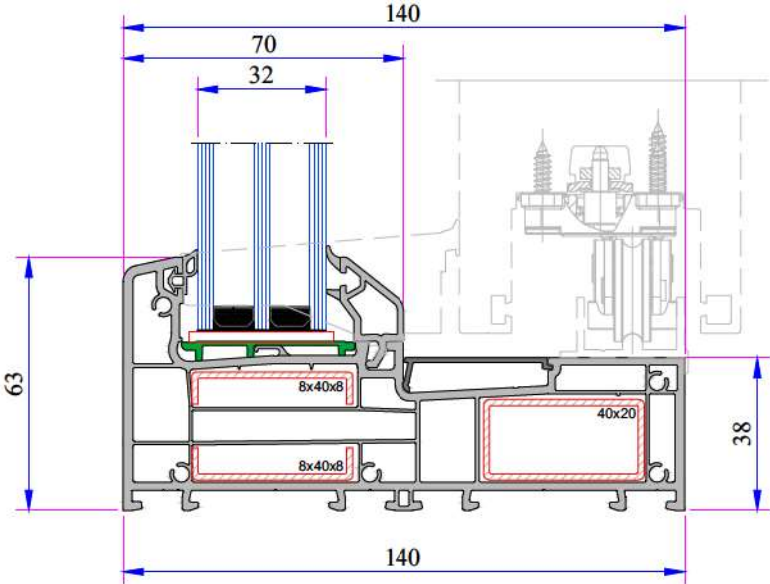
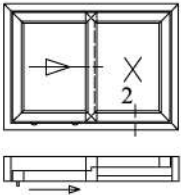


Section Number 4



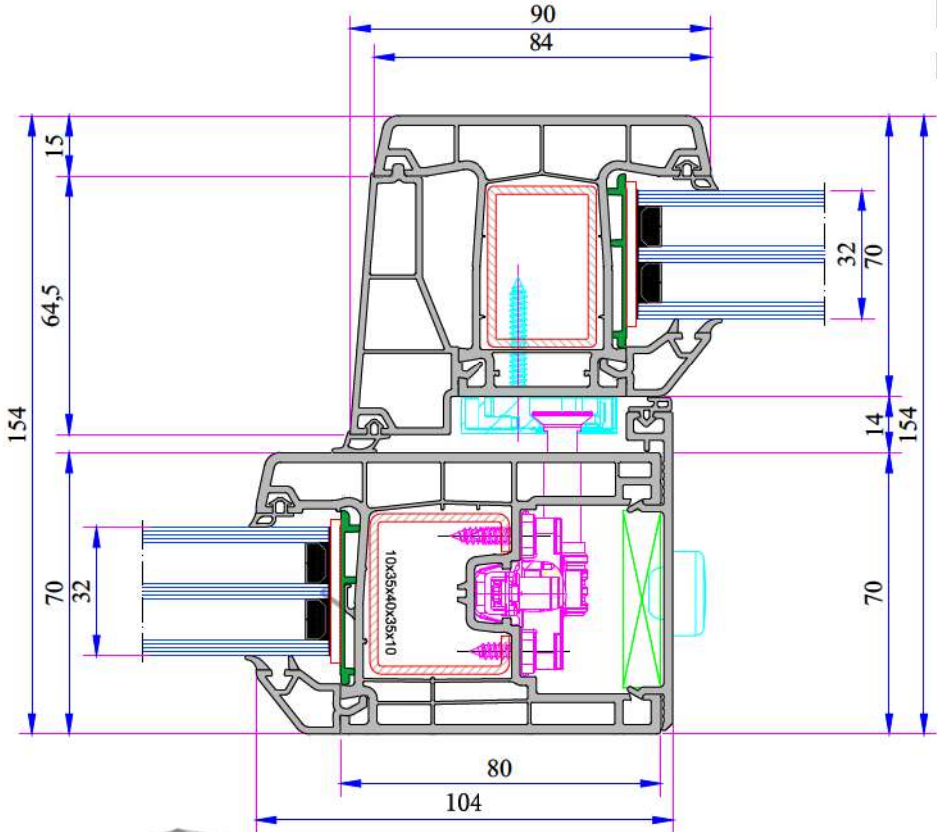
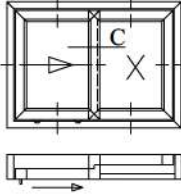
Frame - Fix Glass

Schema A

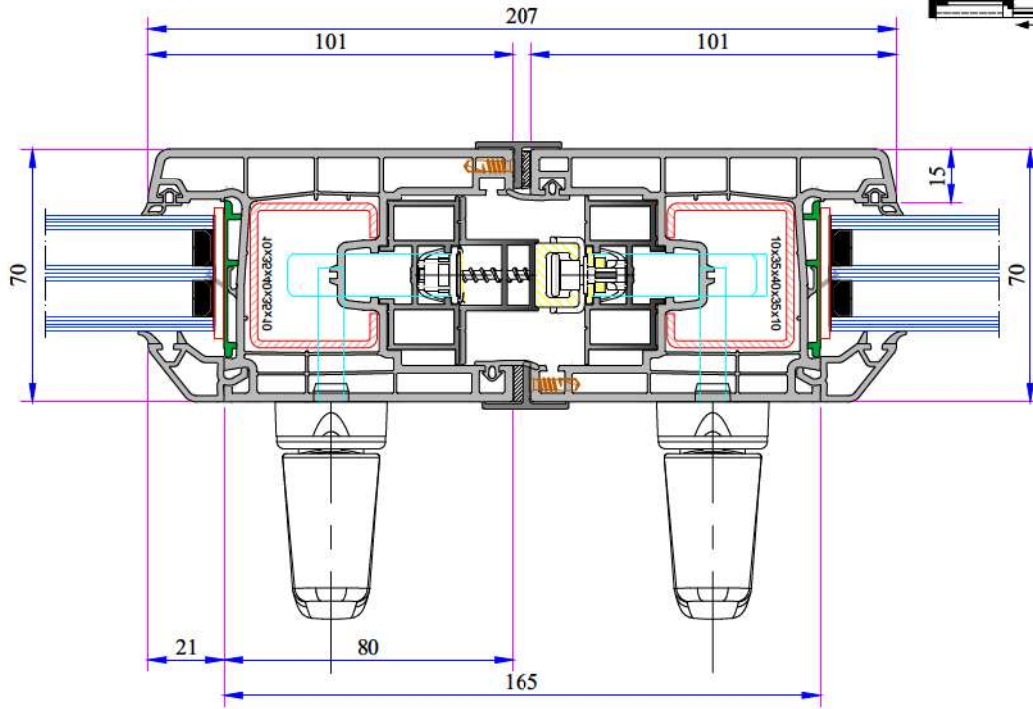


Mullion Montage

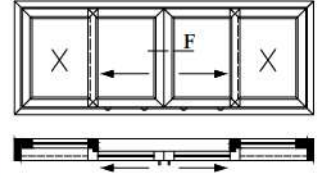
Schema A



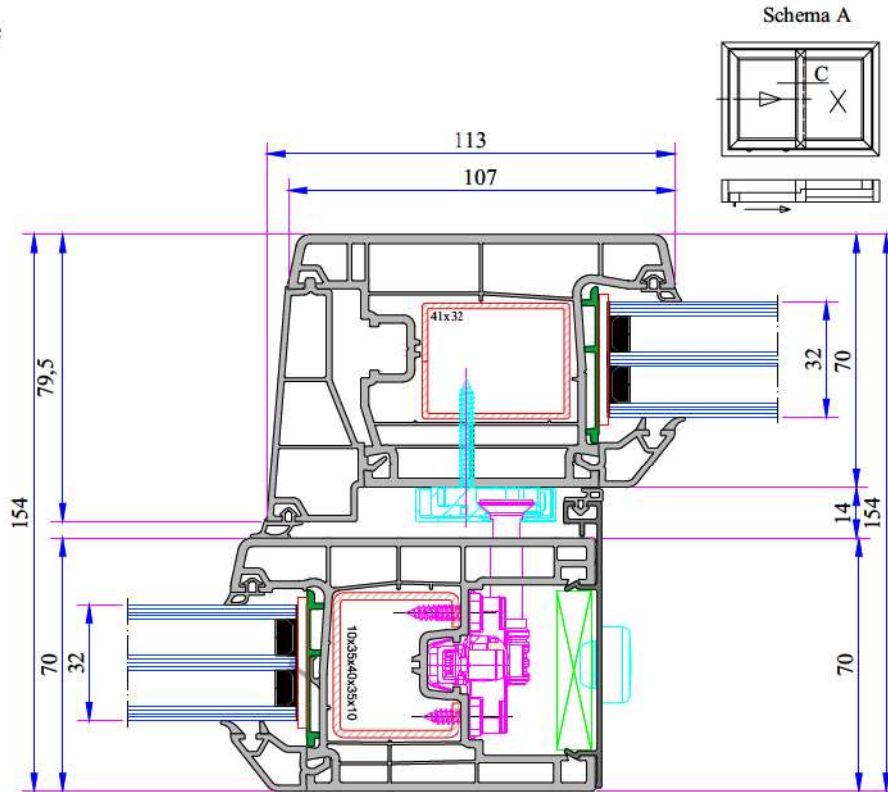
Double Sash Montage



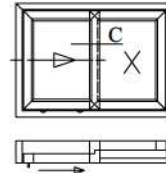
Schema C



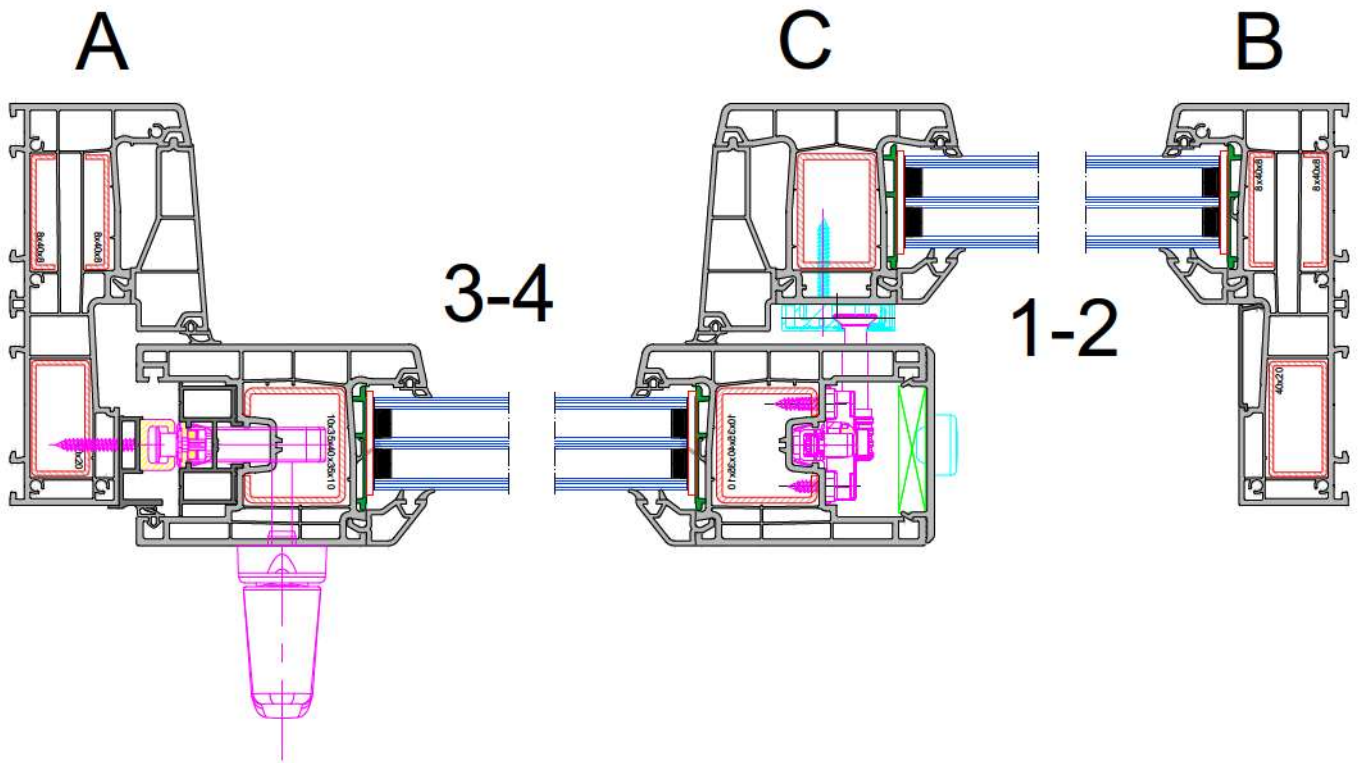
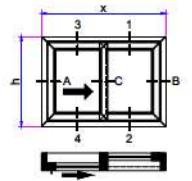
Mullion Montage



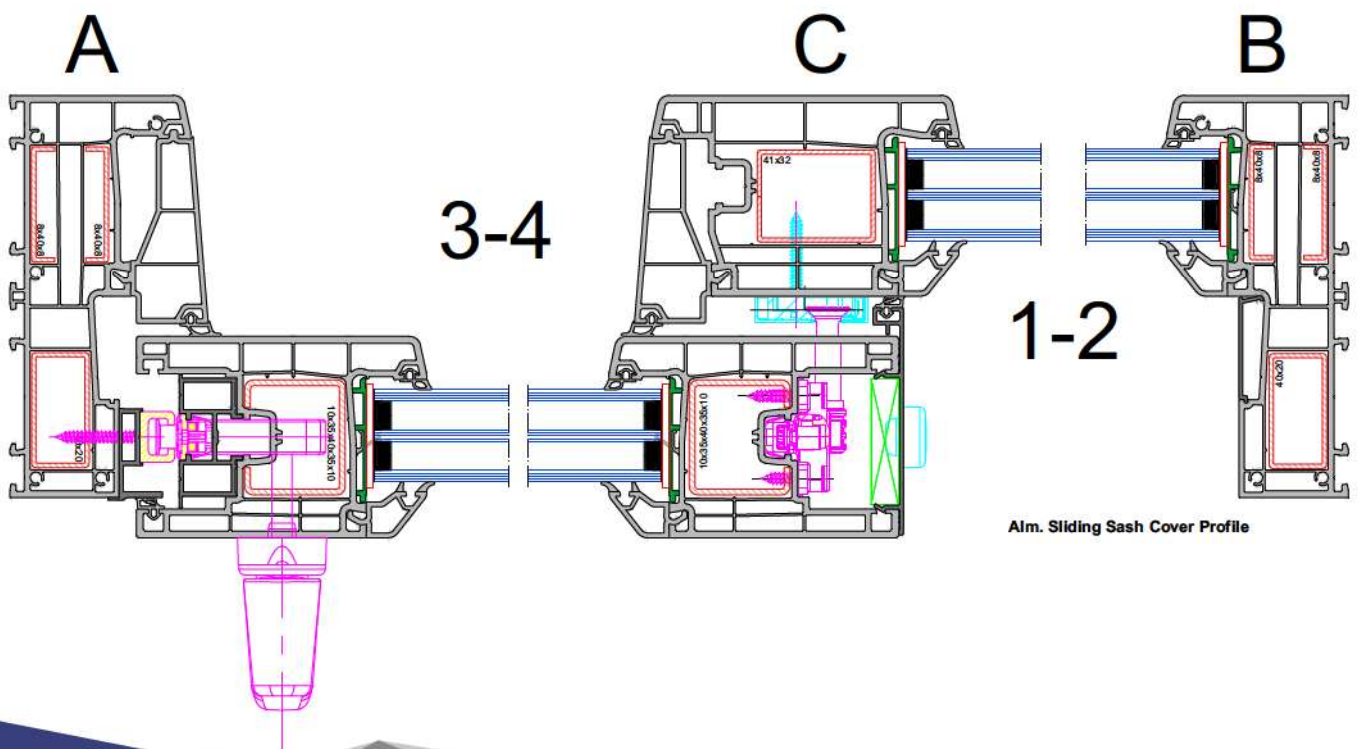
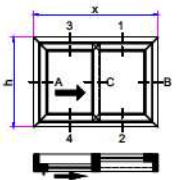
Schema A



1 Moving 1 Fixed



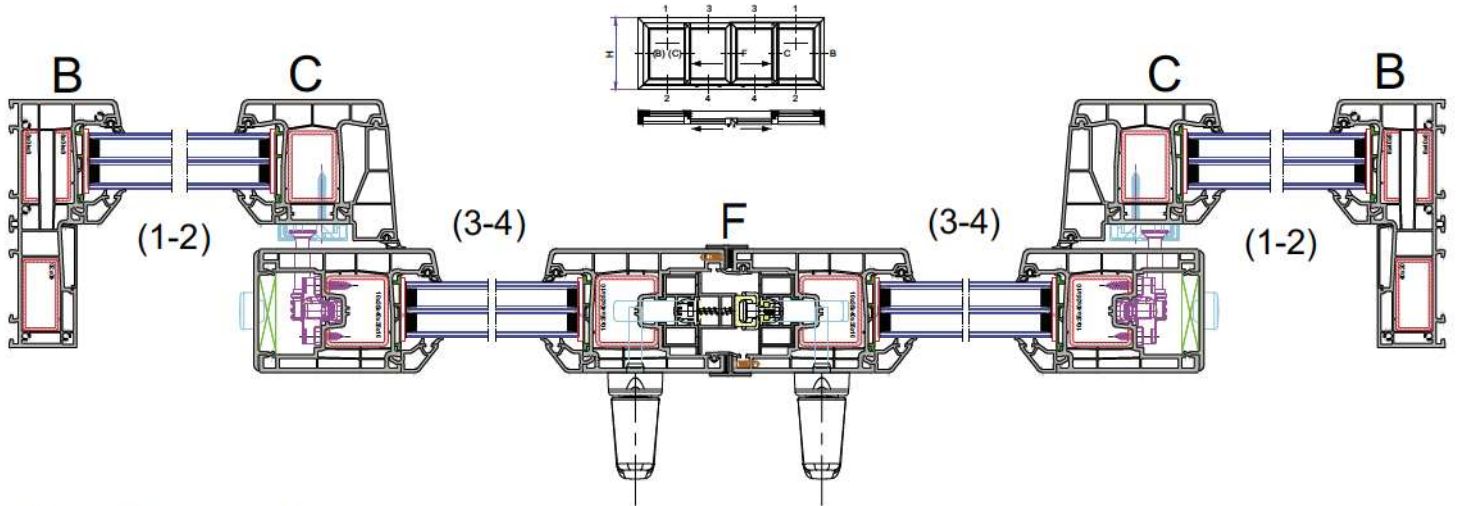
1 Moving 1 Fixed (Out. Op. Door Sash)



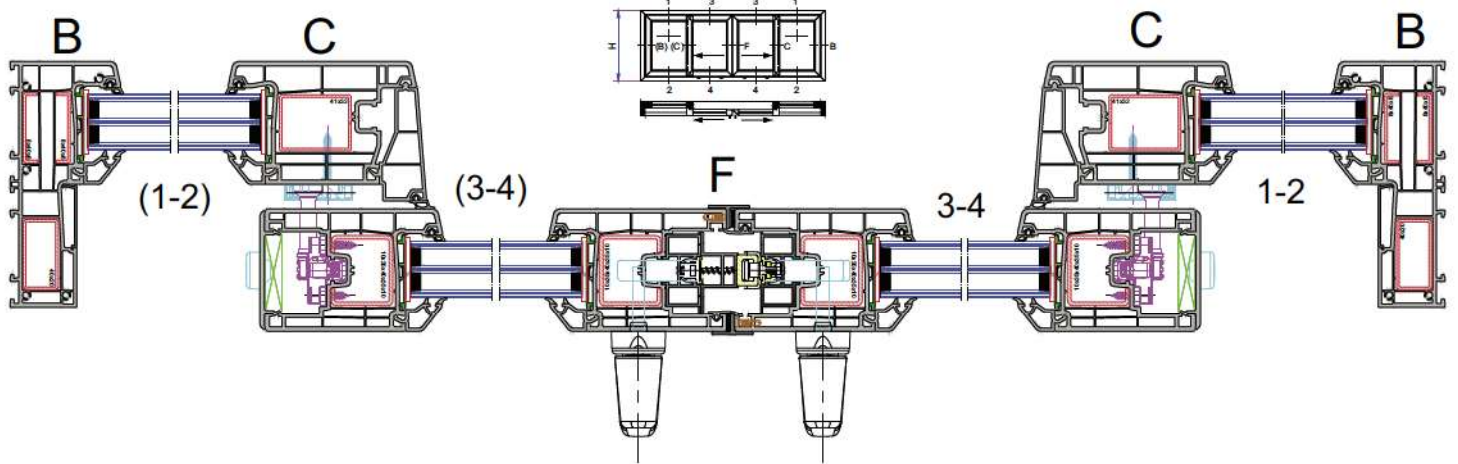
Alm. Sliding Sash Cover Profile

770 THERMO SLIDING SERIES PVC PROFILE SYSTEM

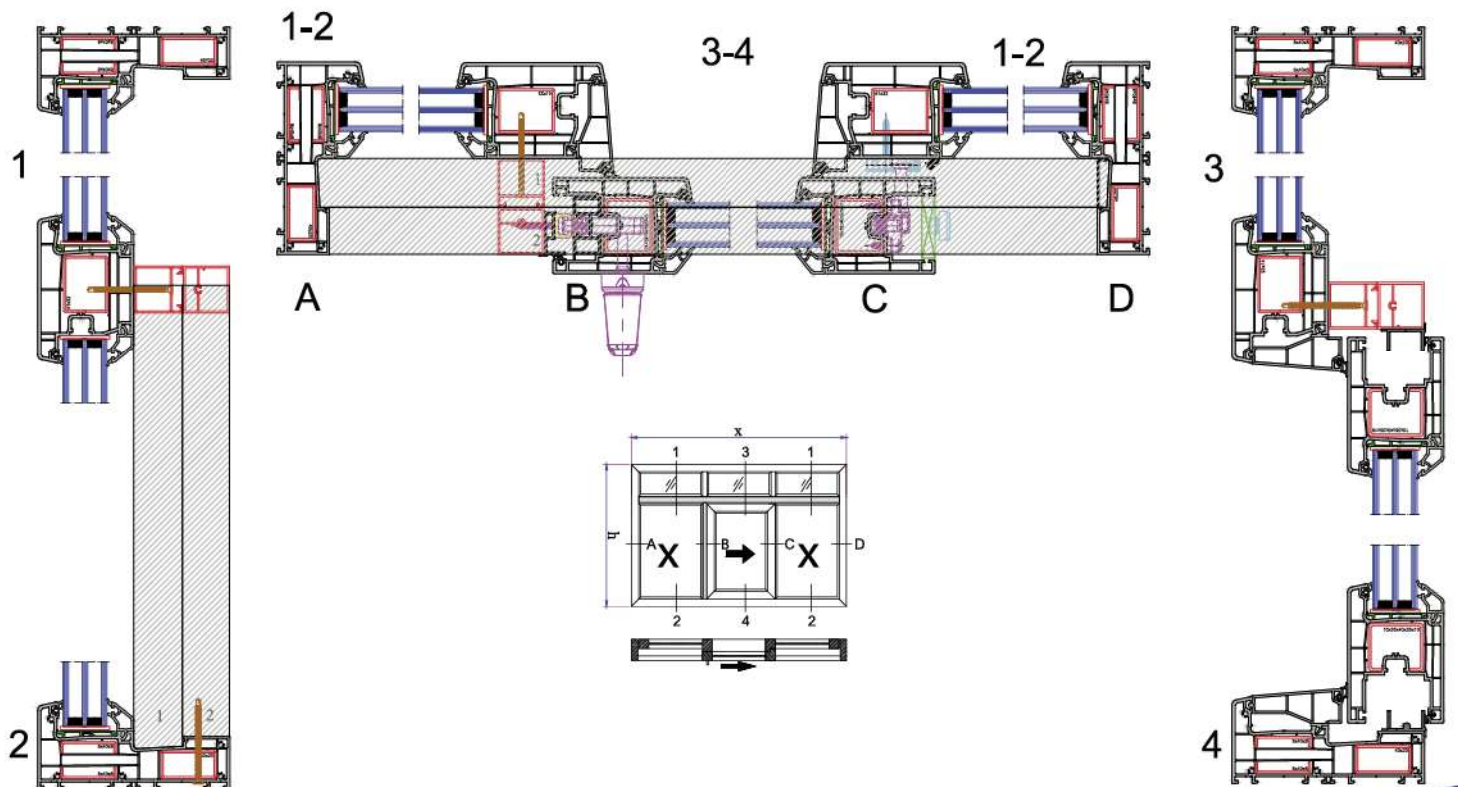
2 Moving 2 Fixed

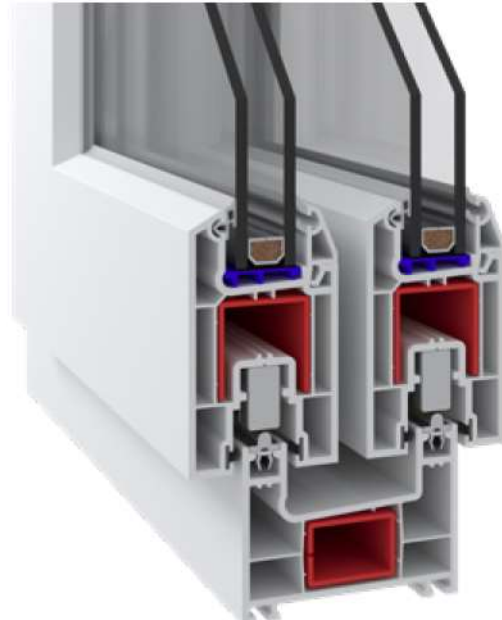
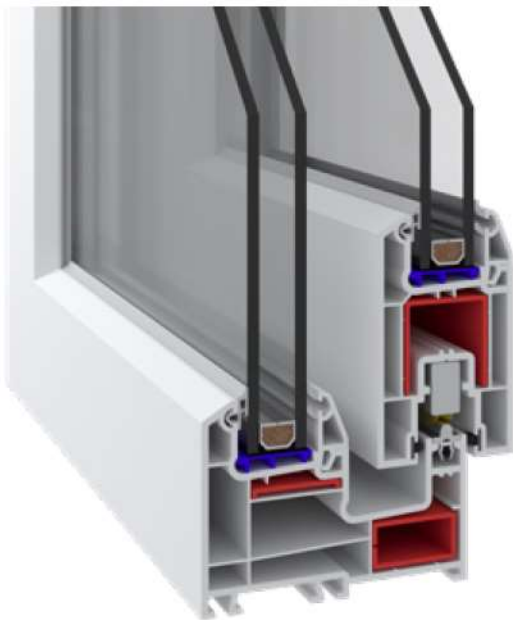
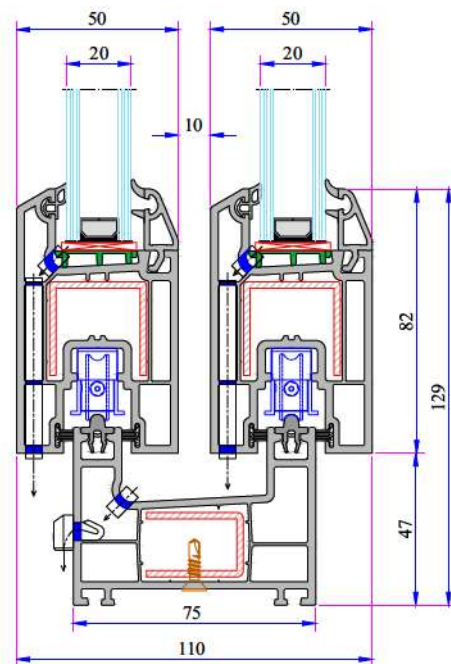
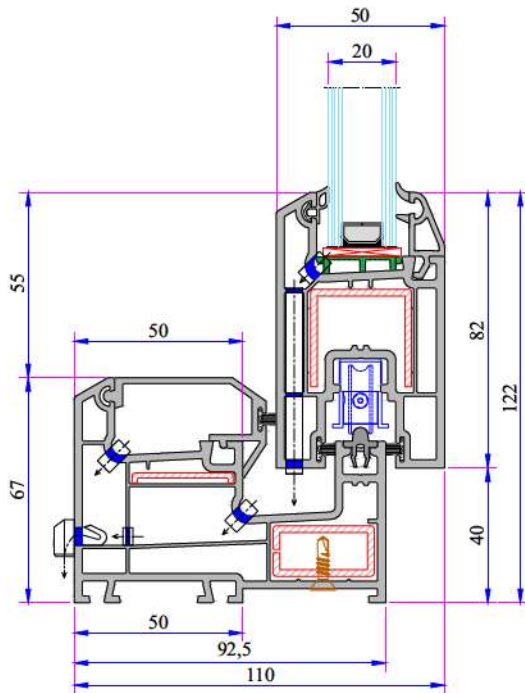


2 Moving 2 Fixed (Out.Op Door Sash)



1 Moving 2 Fixed





TECHNICAL

W 232 DOUBLE AND SINGLE RAIL SLIDING SERIES

Profile Width: 75 mm double rail frame, 92,5 mm single rail frame and 50 mm sliding system sash profile.

Number of chambers: 3 chambers system

Profile Class: B Class (TS EN 12608-1)

Seal Type: The insulated bristle wick system

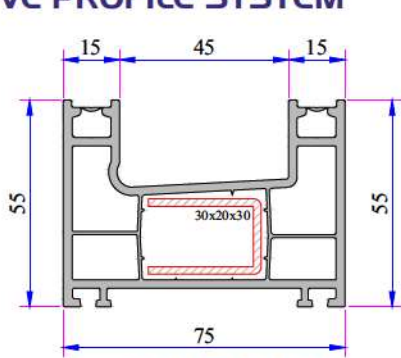
Seal Type and Color: TPE - Grey /Black

Glass Thickness (mm): 4 - 6, 20, 24 mm

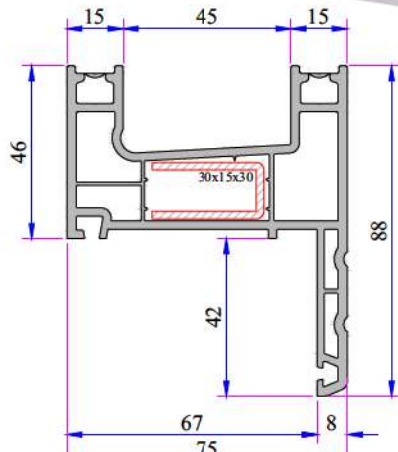
INSTRUCTION

- 75 mm profile width with double railed frame and 92,5 mm width single rail alternative frame and 50 mm width of sash profile.
- Perfect thermal, sound and water isolation because of the 3 chambers system.
- The medium locked sash with a seal system.
- Application of single glaze 4-6 mm and insulating glass 20, 24 mm by grey sealed glazing beads in different thickness.
- Application with roller shutter and without roller shutter choices.
- Wooden designed laminated applications.

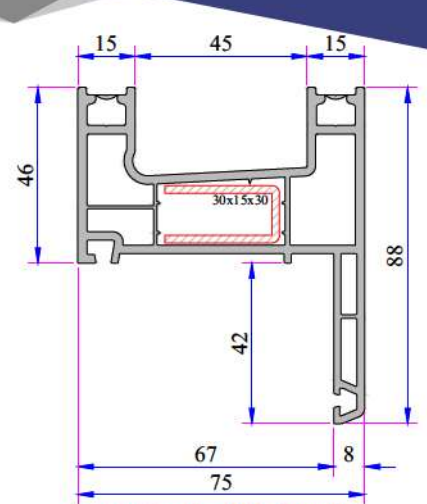
W 232 RAIL SERIES PVC PROFILE SYSTEM



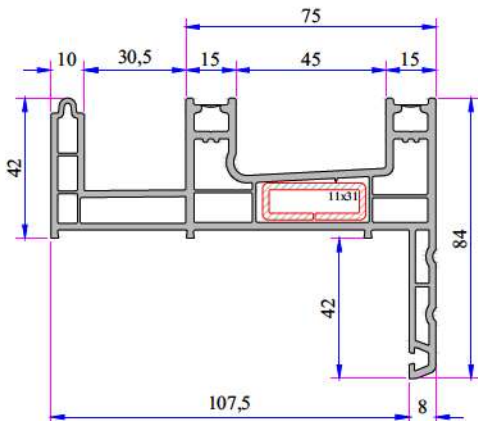
Frame Profile (Double Rail)
232.1106



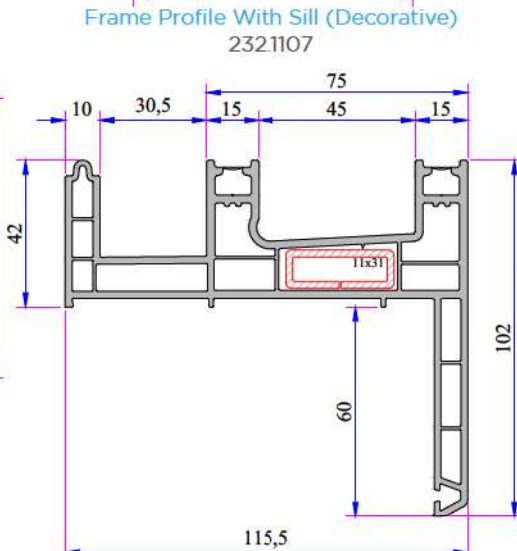
Frame Profile With Sill (Decorative)
232.1107



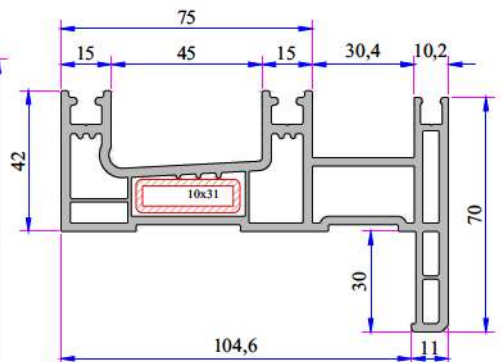
Frame Profile With Flat Sill
232.1110



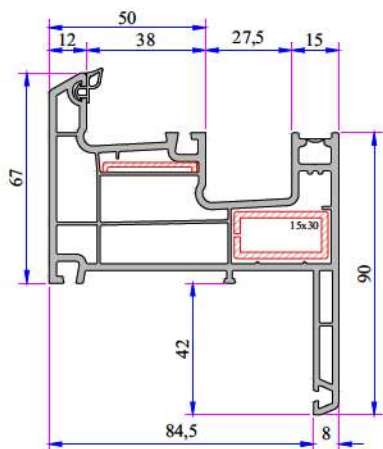
Frame Profile With Fly - Screen & Sill
232.1109



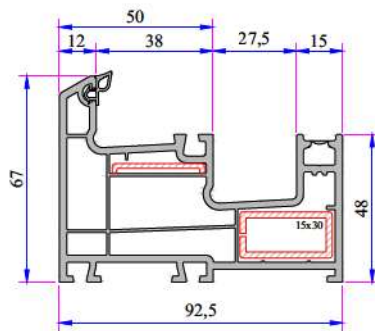
Double Rail Frame Profile With
Fly - Screen 60 mm Sill
232.1115



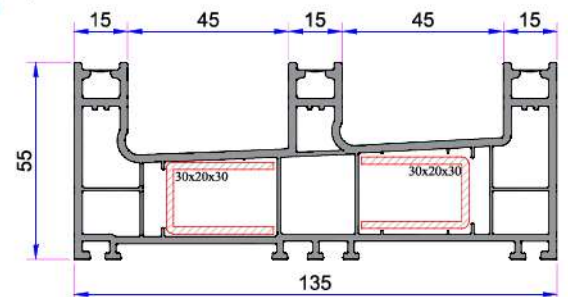
Frame Profile With Internal Fly-Screen
242.1104



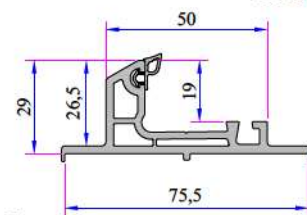
Frame Profile With Sill (Single Rail)
232.1114



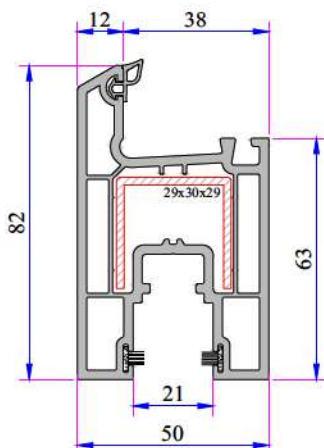
Frame Profile (Single Rail)
232.1105



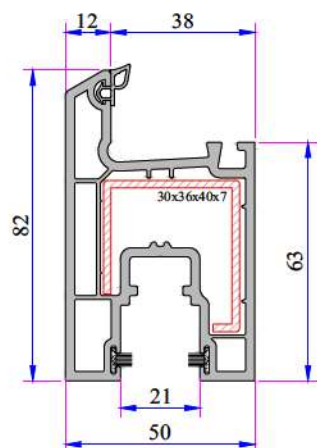
Frame Profile (Triple Rail)
232.1112



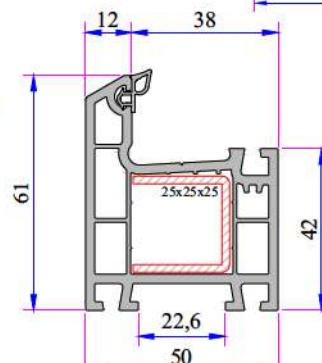
Double Rail
Adaptor Profile
232.5800



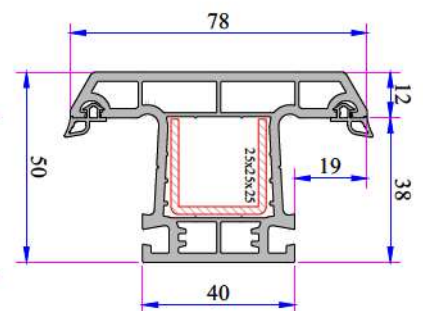
Sliding System Sash Profile
232.2300 (with Brush)
232.2301 (without Brush)



Sliding System Sash Profile (Static)
232.2308 (with Brush)
232.2309 (without Brush)

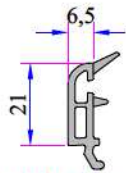


332 Frame Profile
332.1000

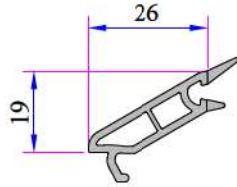


332 Mullion Profile
332.3000

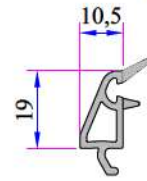
W 232 RAIL SERIES PVC PROFILE SYSTEM



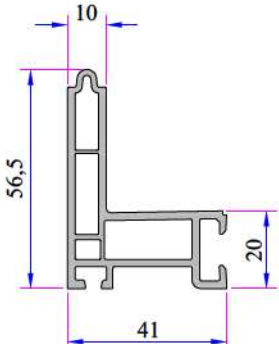
Double Glazing Bead
(24mm)
532.4500



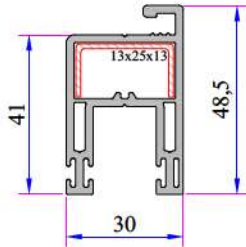
Single Glazing Bead
(4mm)
332.4000



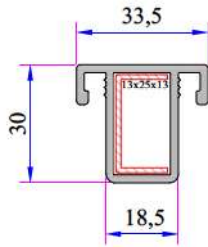
Double Glazing Bead
(20mm)
332.4100



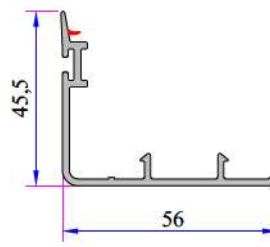
Screen Adaptor Profile
232.5802



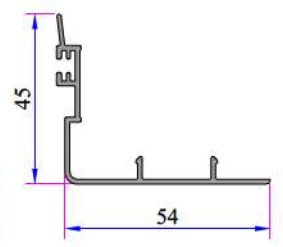
Fly-Screen Sash Profile
242.2305



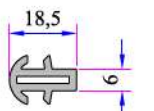
Fly-Screen Mullion Profile
242.3200



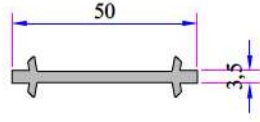
Sash Cover Profile
232.5709



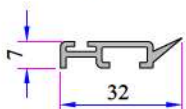
Alm. Sash Cover Profile
16051.601.5.11.9016



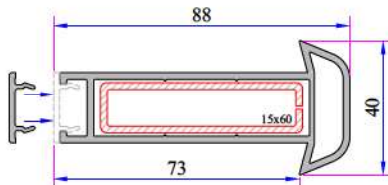
Short Coupling Profile
099.5003



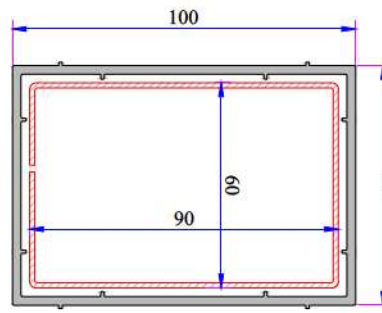
Narrow Coupling Profile
050.5001



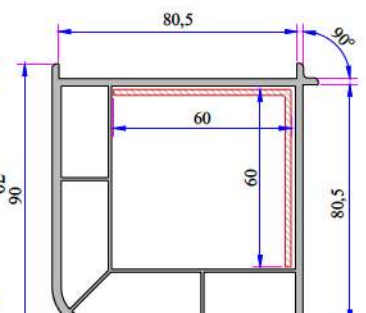
Lap Strip Profile
232.5801



Universal Large Coupling Profile
058.5000



Box Profile (70x100)
070.5202



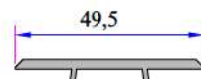
90° Corner Profile
080.5100



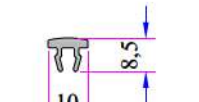
Universal Large Coupling
Cover Profile
058.5707



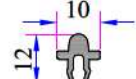
Screen Sash Cover Profile
242.5701



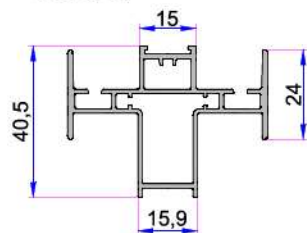
PVC Sash Cover Profile
232.5704



Frame Channel Cover
Profile
232.5703



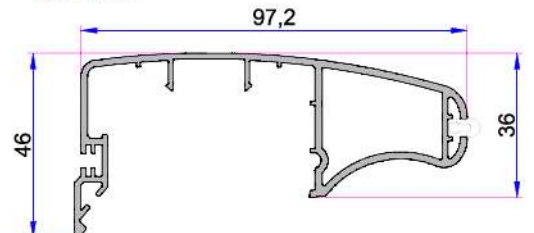
Alm. Sliding Rail Profile
16014.601.5 000



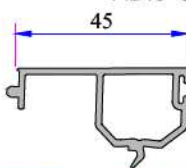
With Alum. Lug Double Sash
Middle Adaptor
AD16-058



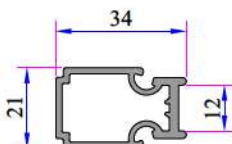
Sash Cover Grillage Profile
16028.601.5.2.000



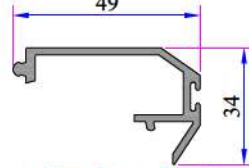
Sash Cover Grillage Profile
AD16061



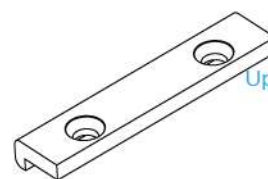
PVC Cover Profile
232.5710



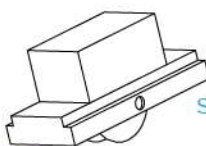
Alm. Double Rail
Adaptor Profile
AD16-011



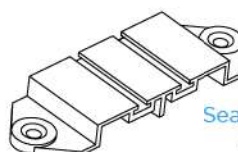
Alm. Cover Profile
16013.601.5.2 000



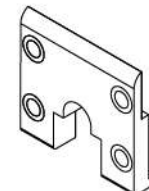
Upper bedding Piece for
Sliding Rail
34009-36010



Sliding Roller Plastic
34009-17010

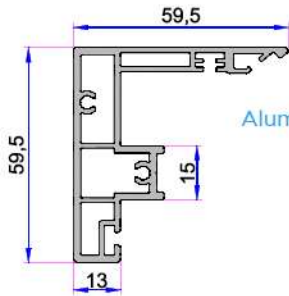


Sealing Bit Single Rail
34009-26020

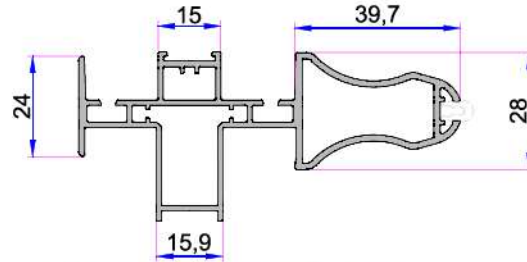


Sliding Sash End Bit
34009-46010

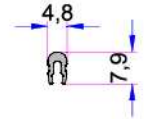
W 232 RAIL SERIES PVC PROFILE SYSTEM



Alum. Sliding Mullion with 3 Chambered
AD16-060

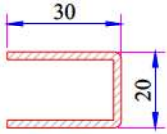


With Alum. Grillage Double Sash
Middle Adaptor
AD16059

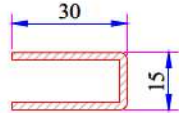


Decorative Pin
AD16062

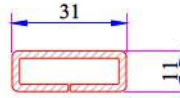
W 232 Re-Inforcement Profiles



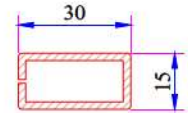
Double Rail Frame Profile
Reinforcement
34022-12006



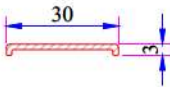
Frame Profile with Sill - Frame
Profile with Flat Sill Reinforcement
34022-12034



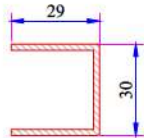
Frame With Fly-Screen & Sill
Reinforcement
34022-12107



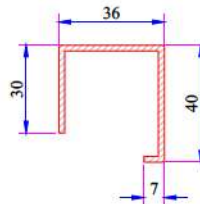
Frame Profile (Single Rail) - Frame
Profile With Sill (Single Rail)
Reinforcement
34022-12125



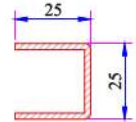
Frame Profile (Single Rail) - Frame
Profile With Sill (Single Rail)
Reinforcement
34022-12035



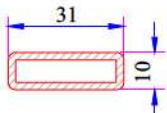
Sliding System Sash Profile
Reinforcement
34022-12002



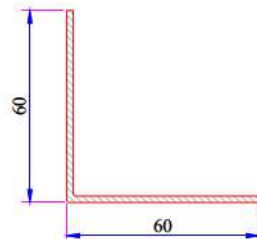
Sliding System Sash Profile
(Static) Reinforcement
34022-12036



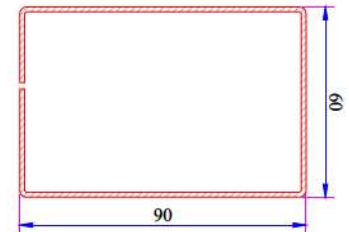
332 Frame - Mullion Profile
Reinforcement
34022-12003



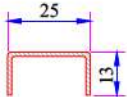
Frame With Internal Fly-Screen
Reinforcement
34022-12107



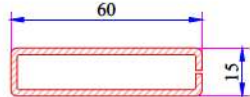
90° Corner Profile
Reinforcement
34022-12306



Box Profile Reinforcement
34022-12121

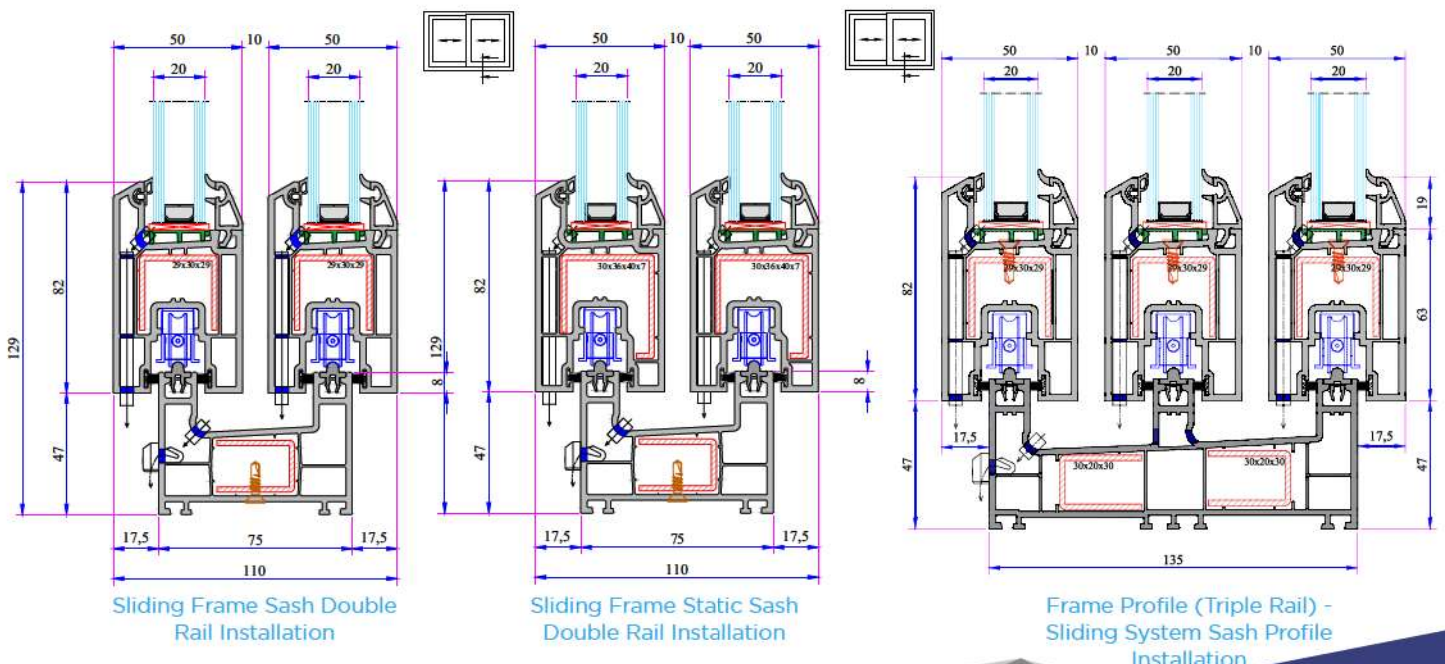


Fly-Screen Sash - Fly-Screen
Mullion Profile Reinforcement
34022-12008



Universal Large Coupling
Profile Reinforcement
34022-12123

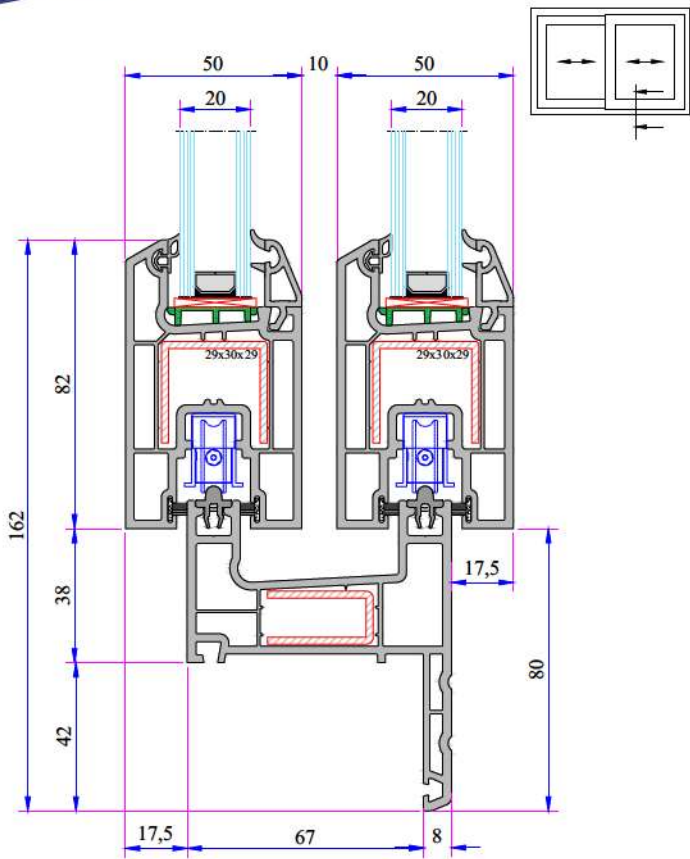
W 232 Installation



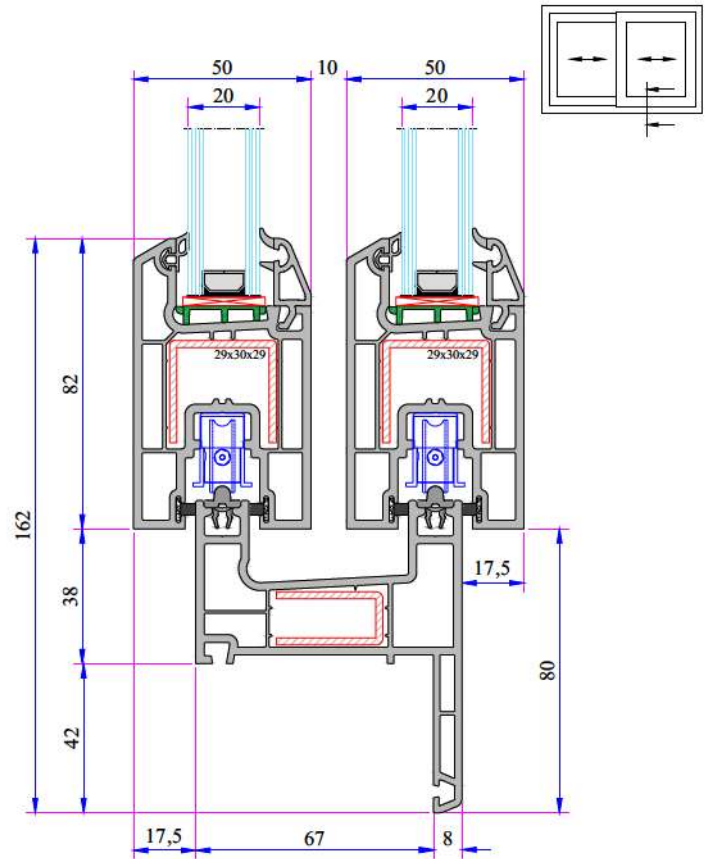
Sliding Frame Sash Double
Rail Installation

Sliding Frame Static Sash
Double Rail Installation

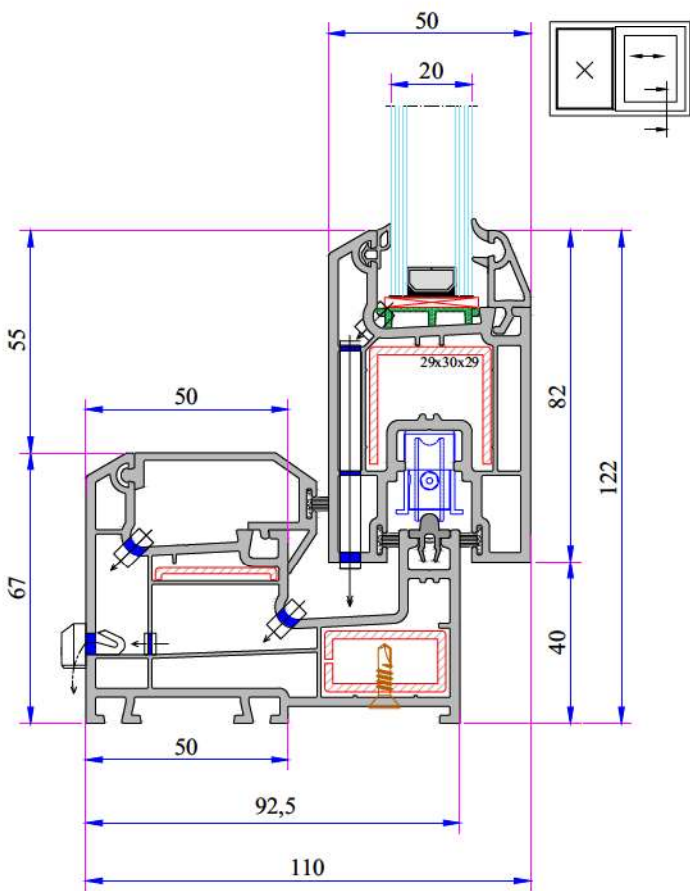
Frame Profile (Triple Rail) -
Sliding System Sash Profile
Installation



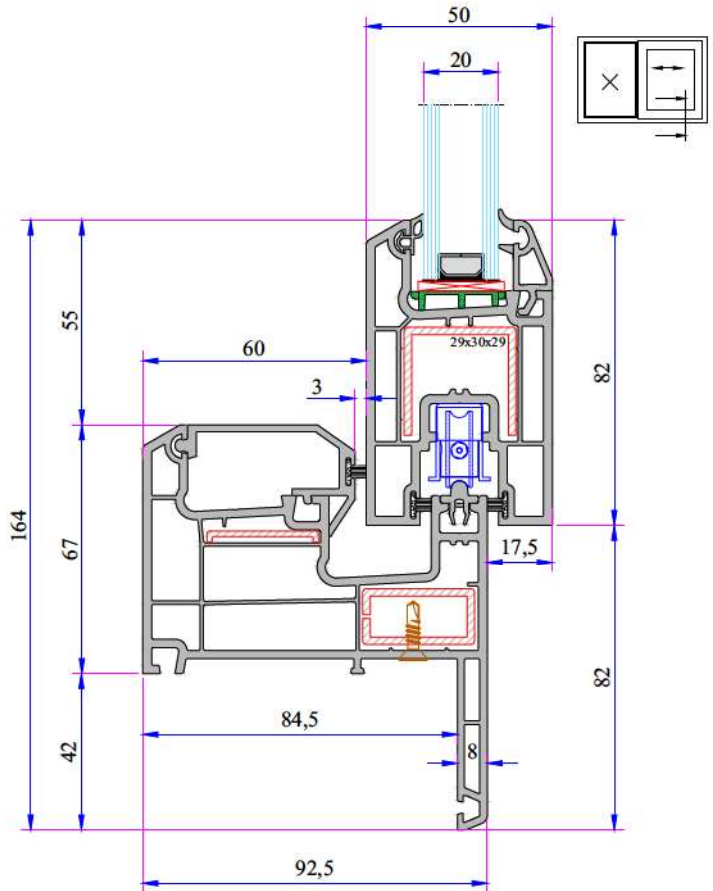
Double Sliding Frame with Sill - Sash Installation



Double Sliding Frame with Flat Sill - Sash Installation

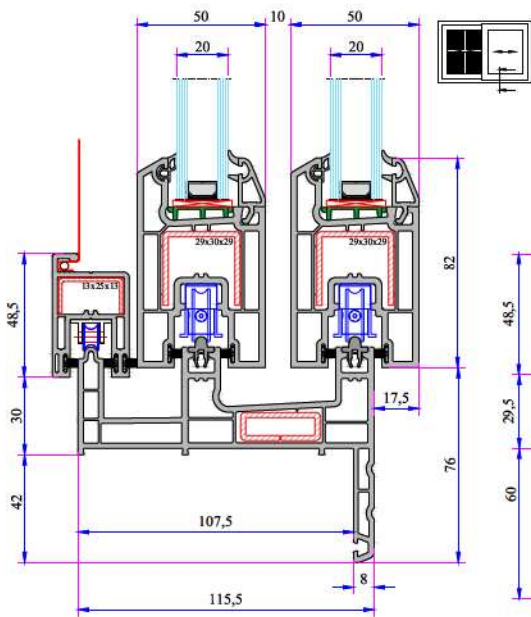


Sliding Frame Sash Single Rail Installation

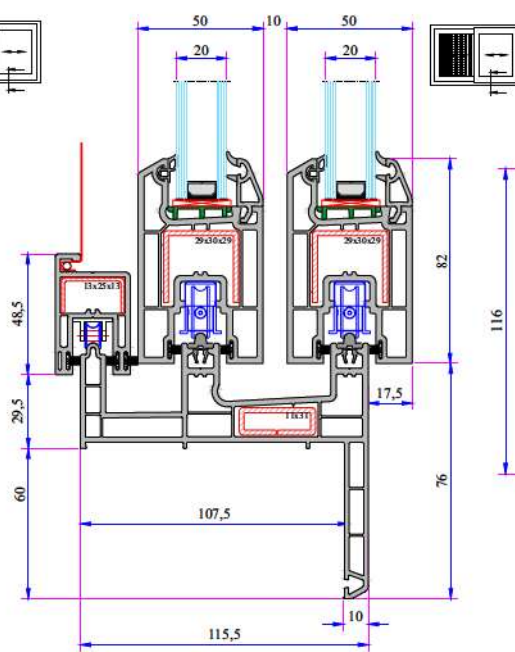


Frame Profile With Sill (Single Rail) Sash Installation

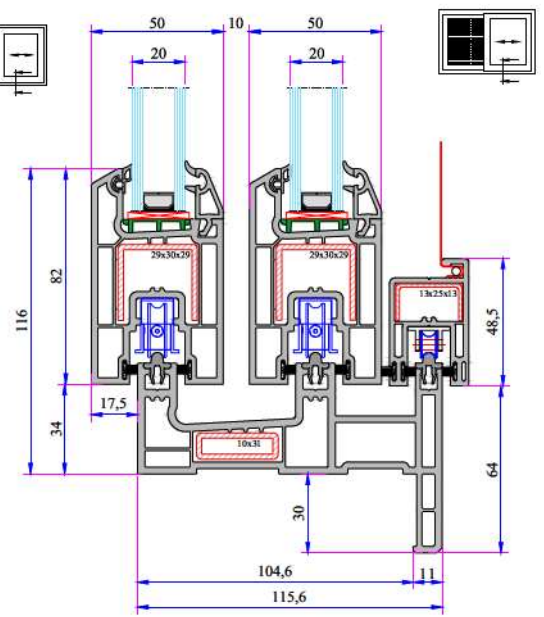
W 232 RAIL SERIES PVC PROFILE SYSTEM



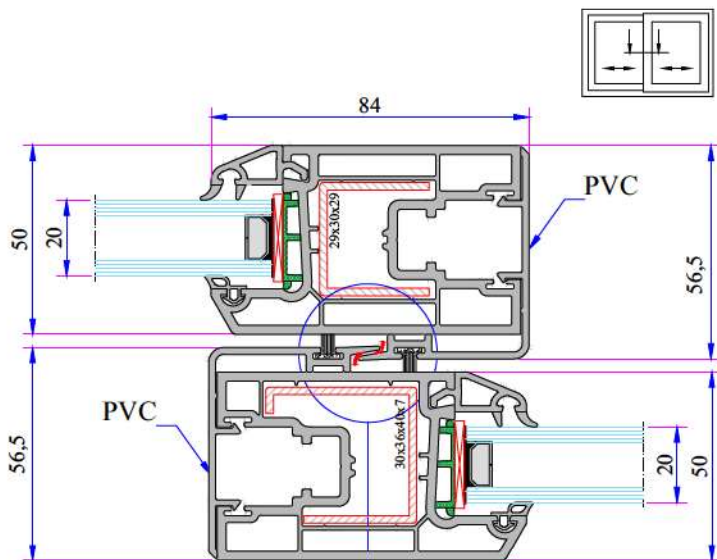
Sliding Frame - Sash - Screen - Sash Installation



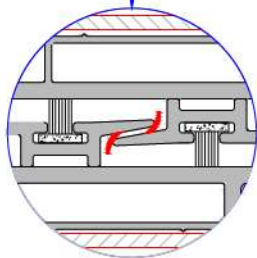
Sliding Frame - Sash - Screen - Sash Installation



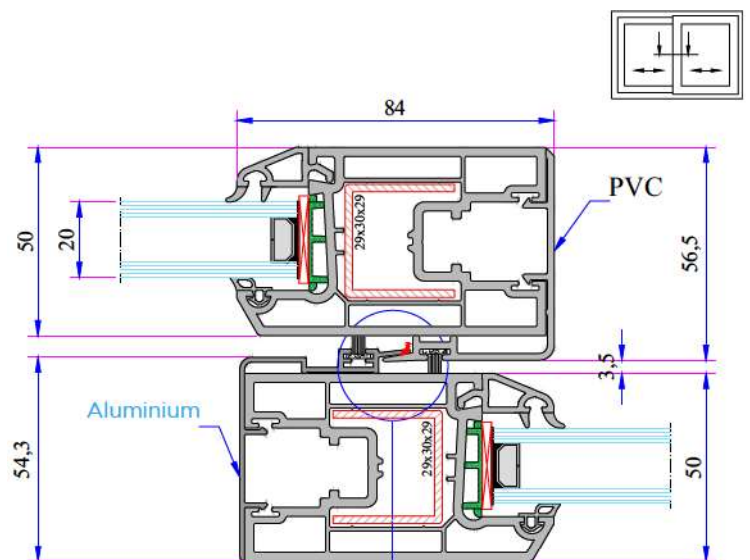
Sliding Frame - Sash - Screen - Sash Installation



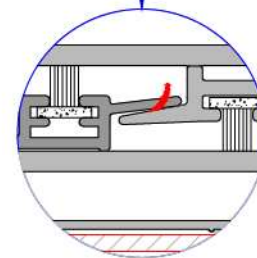
Alternative 1



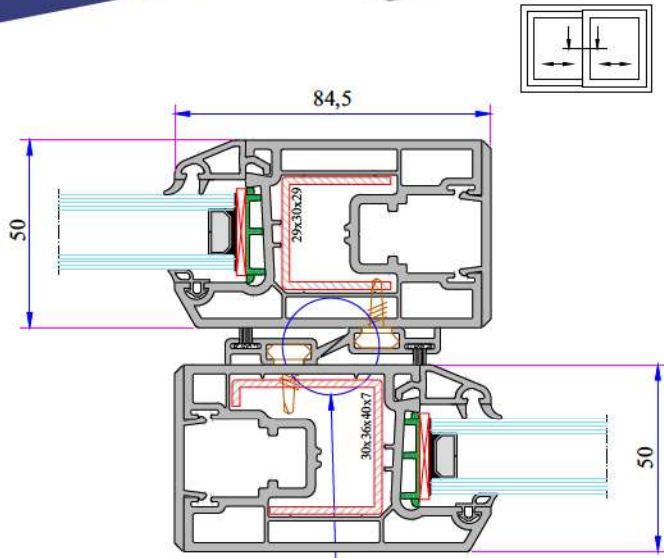
PVC Sash Cover Profile Installation



Alternative 2

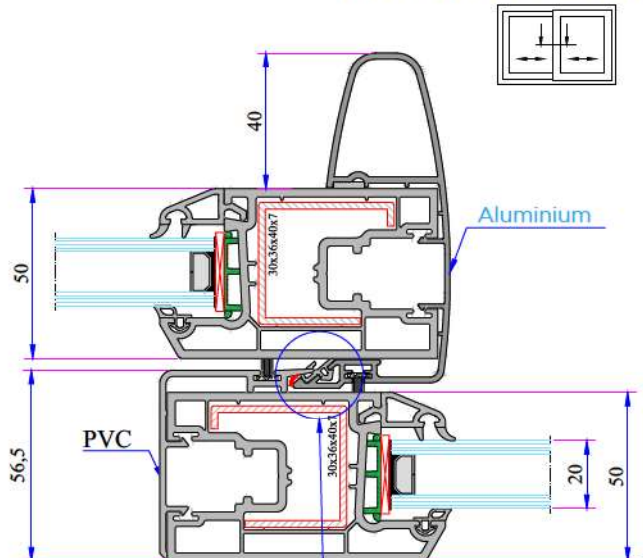
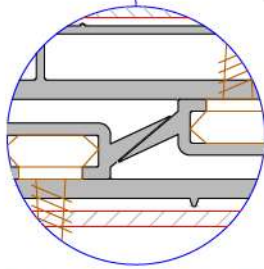


PVC ve Aluminium Sash Installation Detail



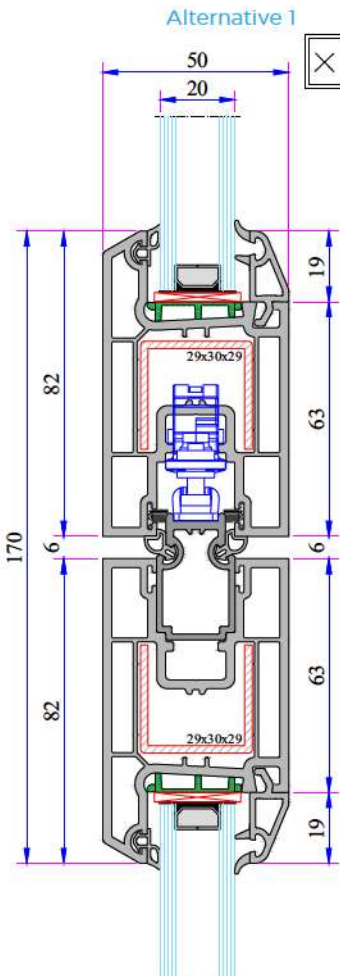
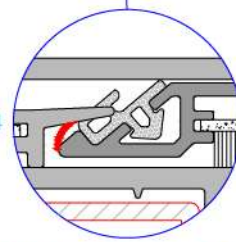
Alternative 3

PVC Sash Cover and Lap Strip Profile Installation

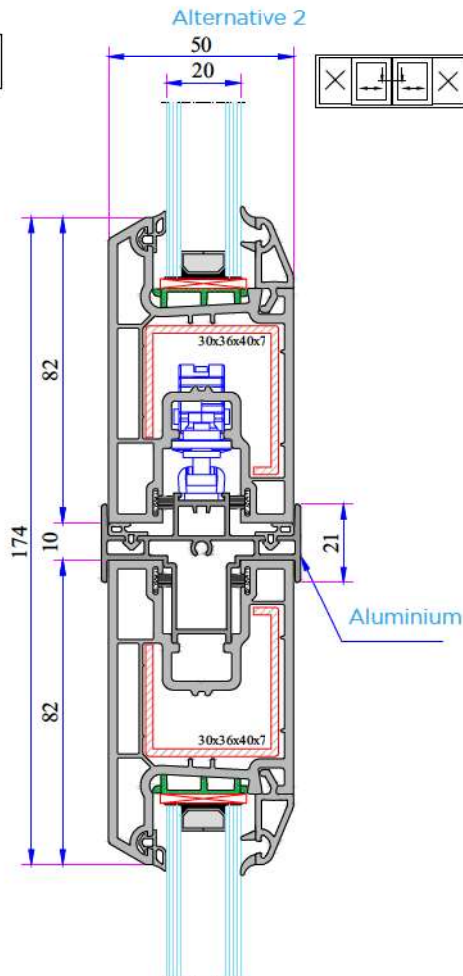


Alternative 4

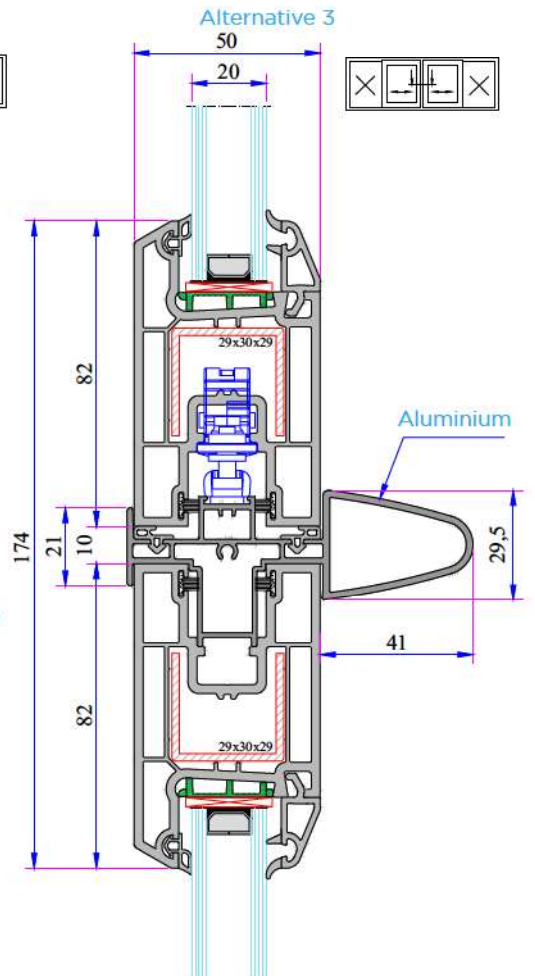
Alm. Sash Cover Grillage Profile Installation



Alum. Double Rail Adaptor Installation
Four Sash Middle Profile)

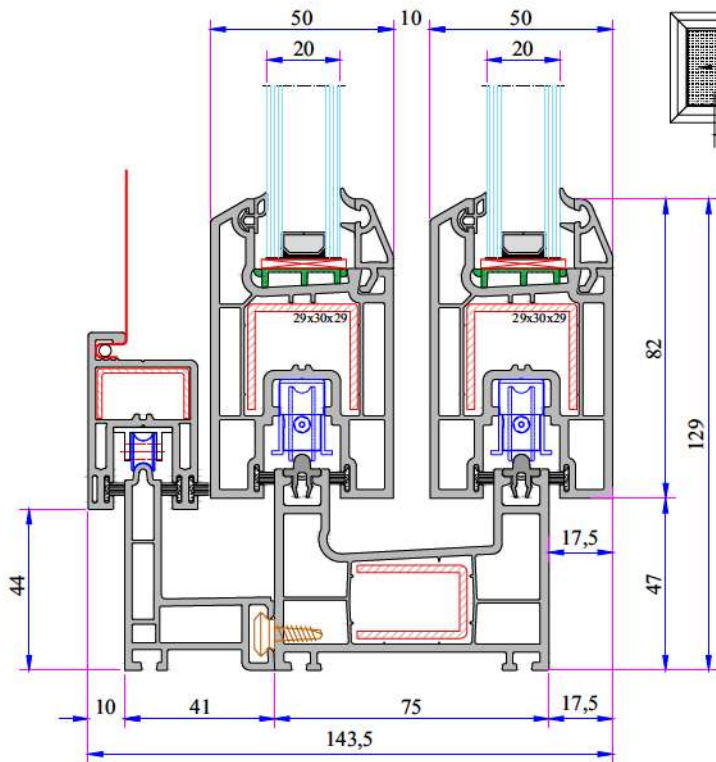


With Alum. Lug Double Sash Middle
Adaptor Installation (Four Sash Middle
Profile)

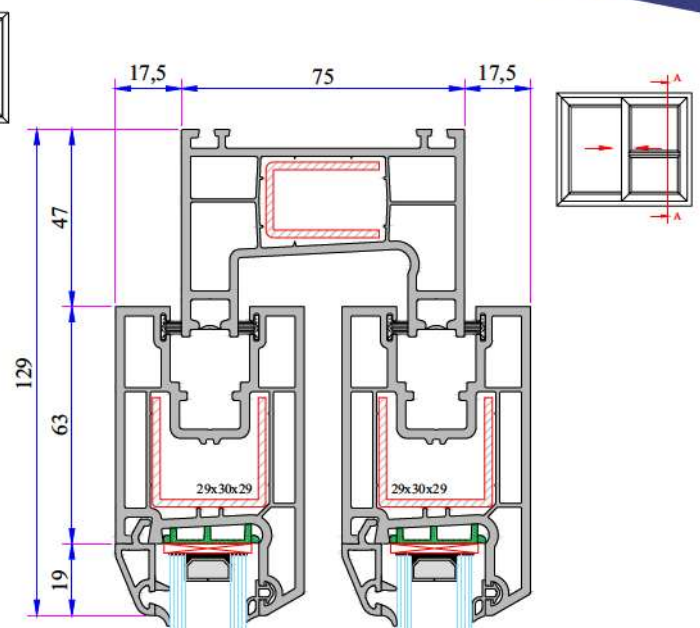


With Alum. Grillage Double Sash Middle
Adaptor Installation (Four Sash Middle
Profile)

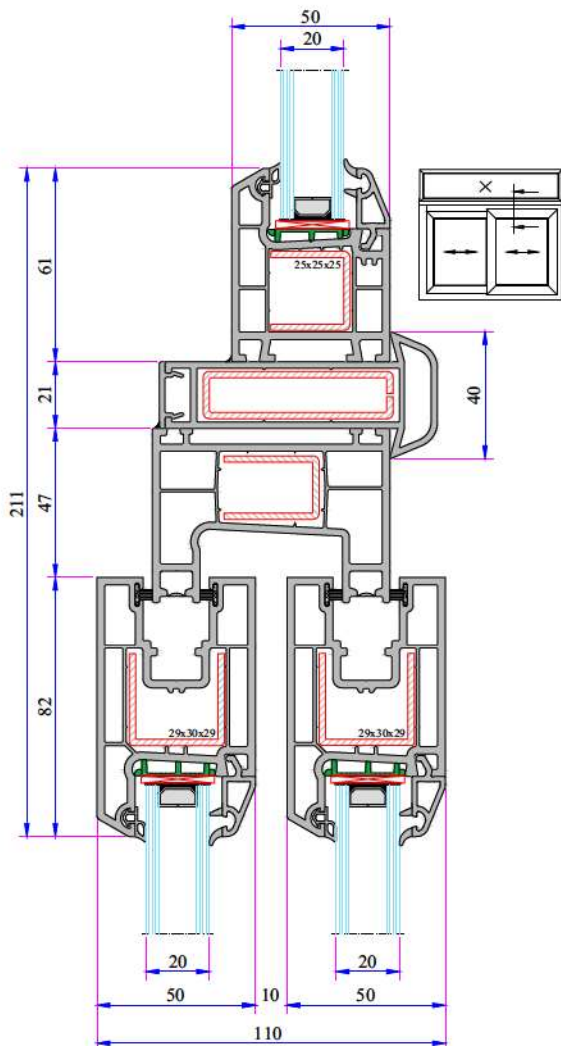
W 232 RAIL SERIES
PVC PROFILE SYSTEM



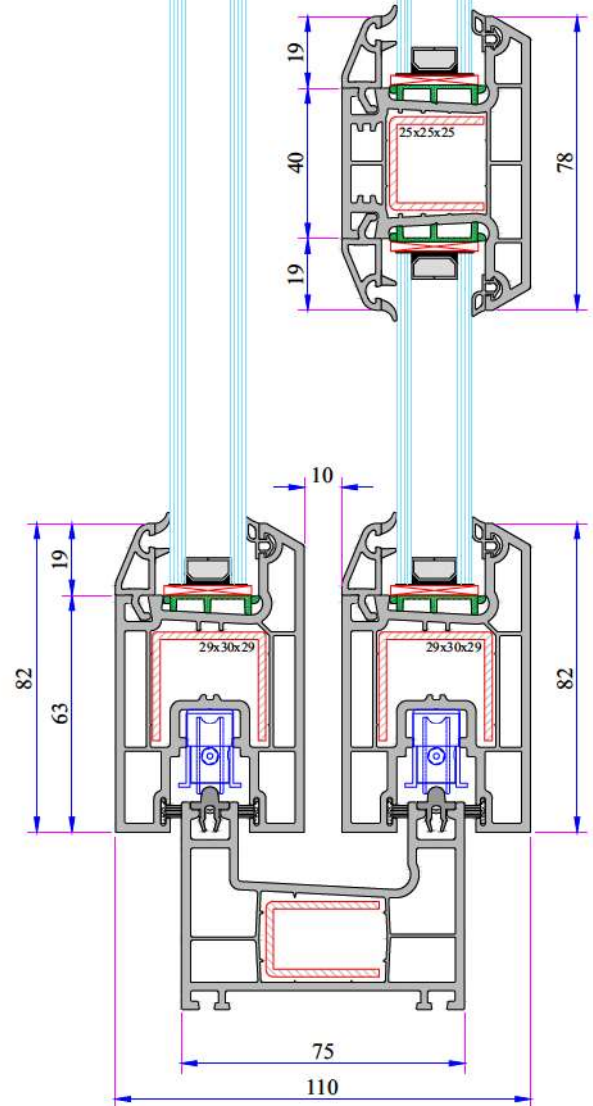
Double Railed Sliding Sash - Sliding Sash - Screen Profile Installation

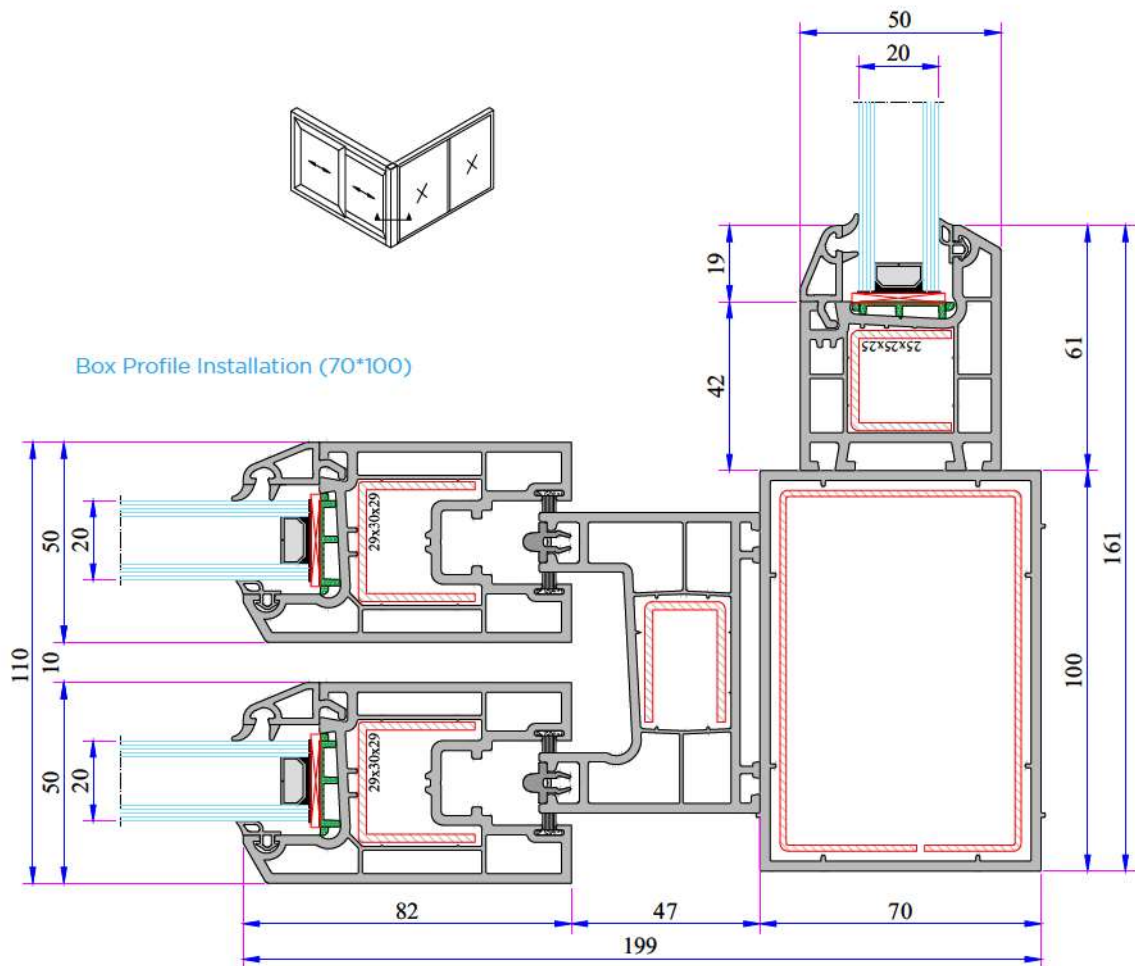
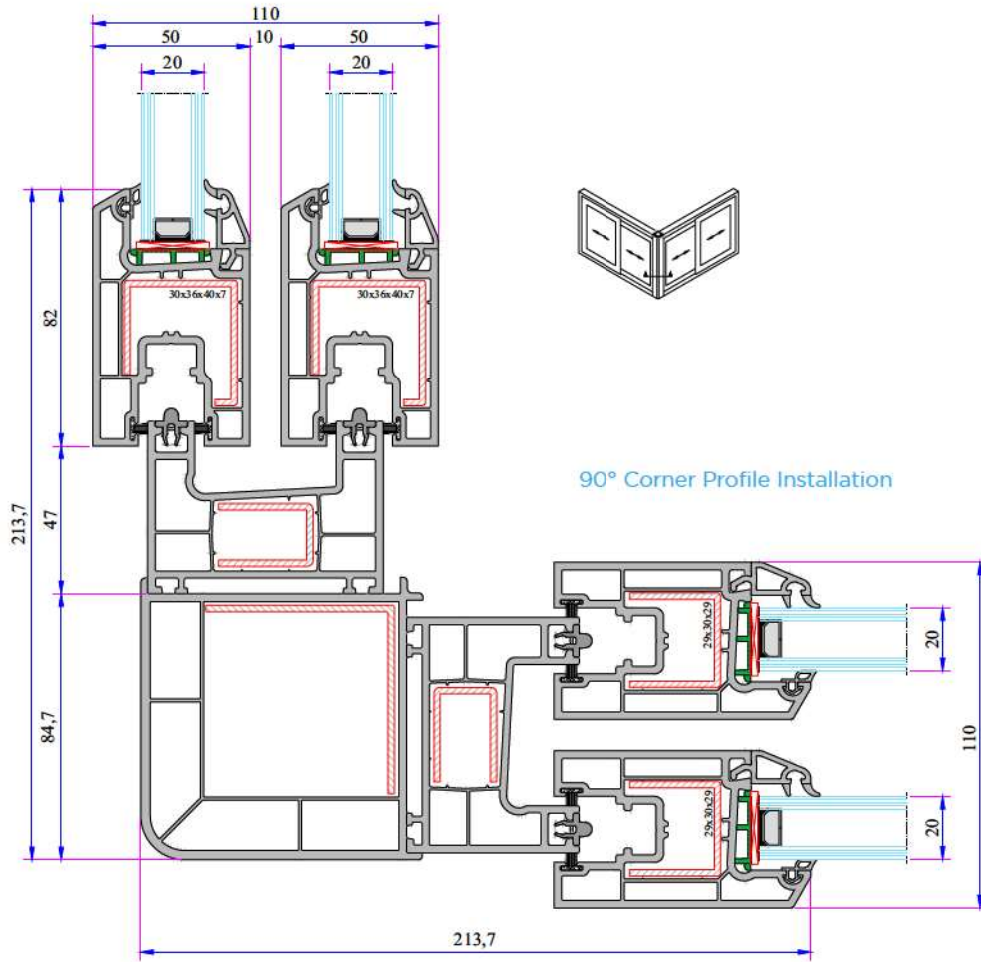


Mullion Profile Installation

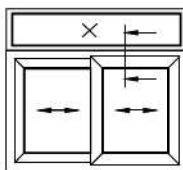
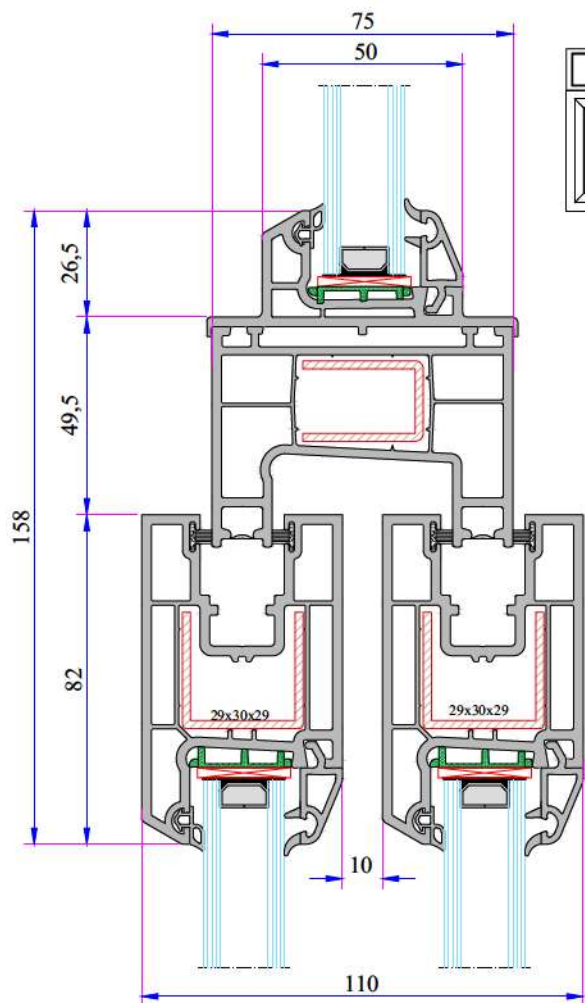


Universal Large Coupling Profile Installation

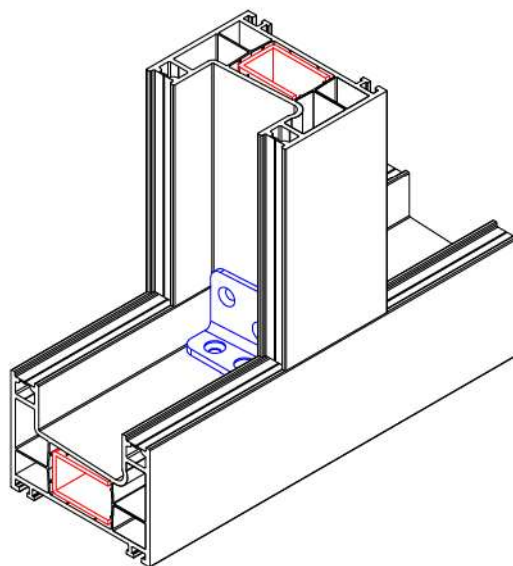




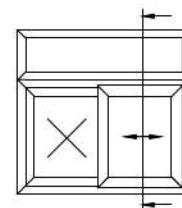
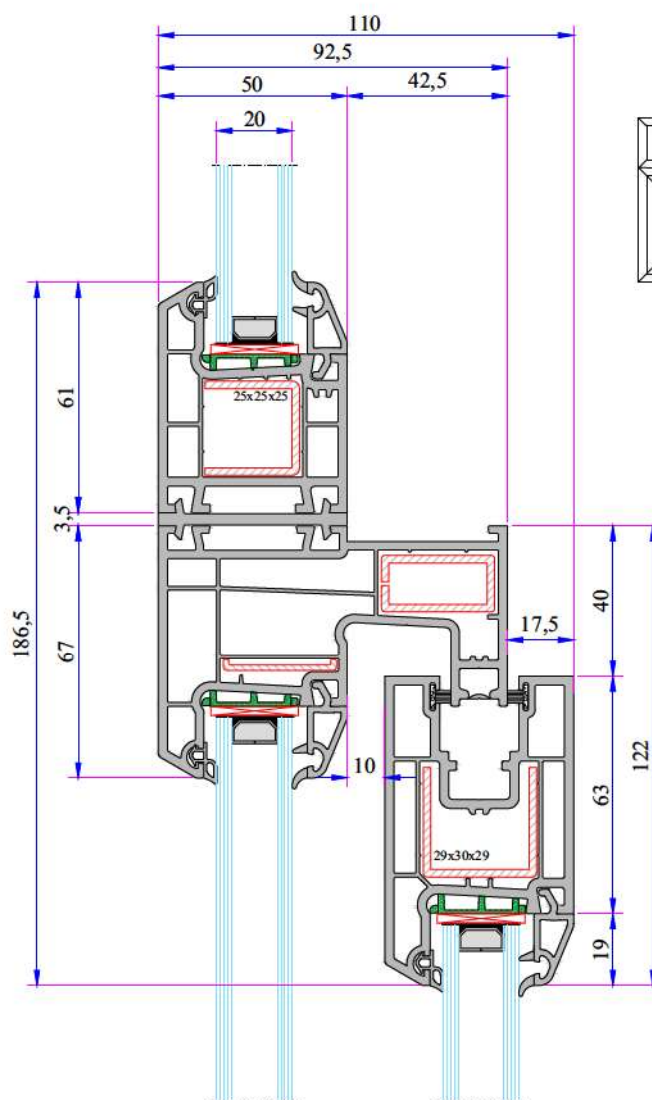
W 232 RAIL SERIES PVC PROFILE SYSTEM

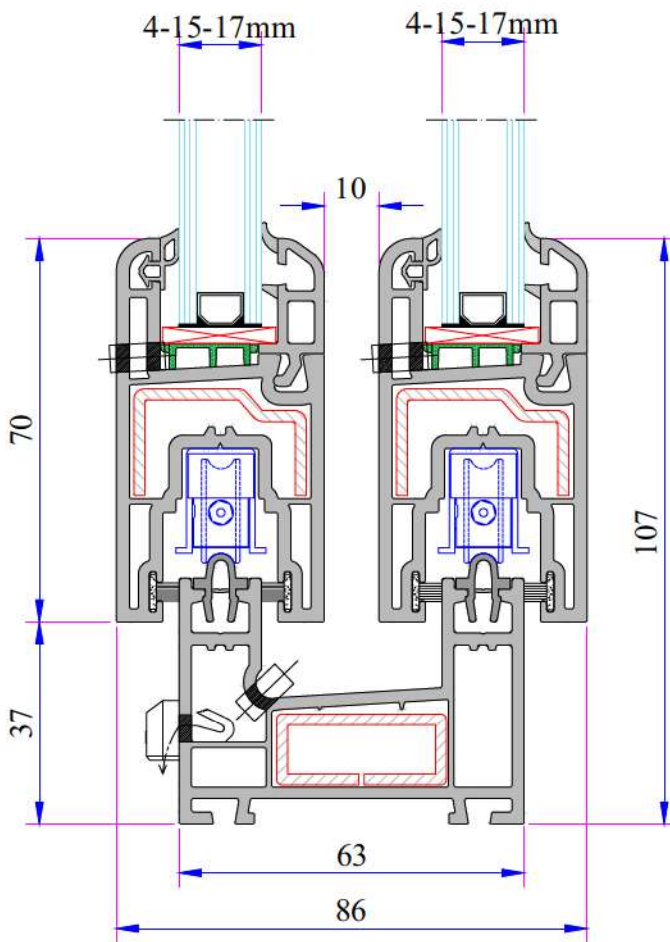


Upper Fixed Lower Part Double Railed Sliding Installation



Upper Fixed Lower Part Single Railed Sliding Installation





TECHNICAL

W 222 RAIL SERIES

Profile Width: 63 mm double rail frame, 111 mm triple rail frame and 38 mm sliding system sash profile.

Number of chambers: 3

Profile Class: B Class (TS EN 12608-1)

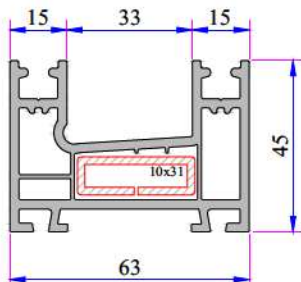
Seal Type: The installed bristle wick system

Glass Thickness (mm): 4-6, 15, 17 mm

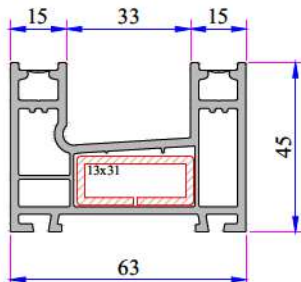
INSTRUCTION

- 63 mm double rail, 111 mm triple rail, 38 mm sliding sash profile.
- Perfect thermal, sound and water isolation because of the 3 chambers system.
- Application of single glaze 4-6 mm and installation glass 15, 17 mm by grey sealed glazing beads in different thickness.
- Application with roller shutter and without roller shutter.
- Wooden designed laminated applications.

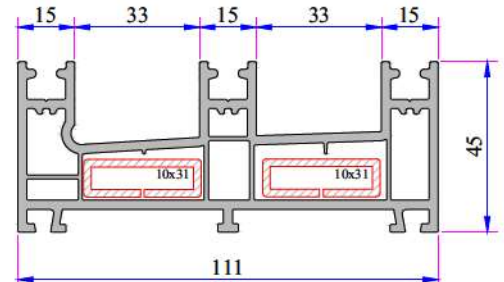
W 222 RAIL SERIES PVC PROFILE SYSTEM



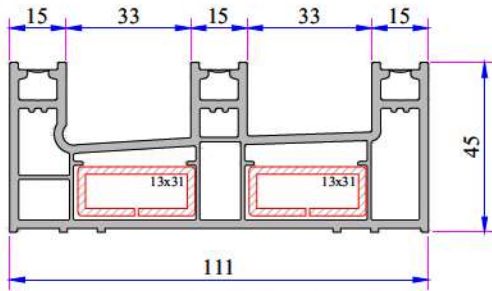
Frame Profile (Double Rail)
222.1100



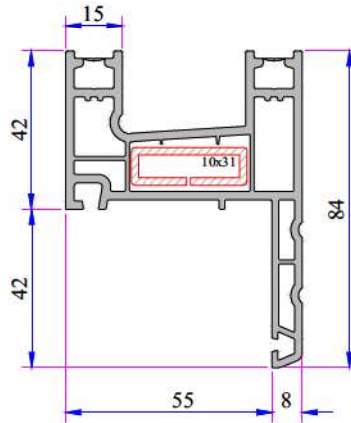
New Frame Profile (Double Rail)
222.1111



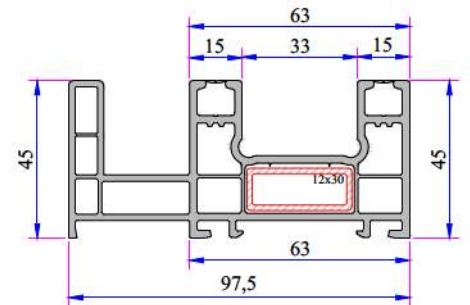
Frame Profile (Triple Rail)
222.1103



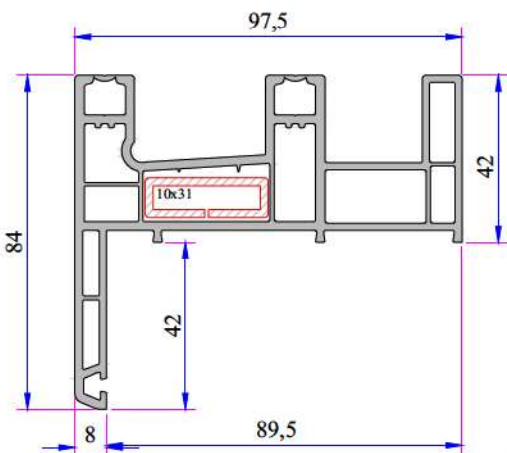
New Frame Profile (Triple Rail)
222.1112



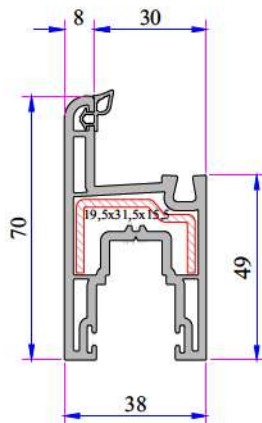
Frame With Flat-Sill Profile
222.1107
222.1107.PC (with Double Seal)



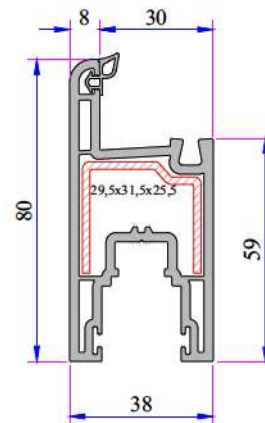
Frame With Fly-Screen
222.1113



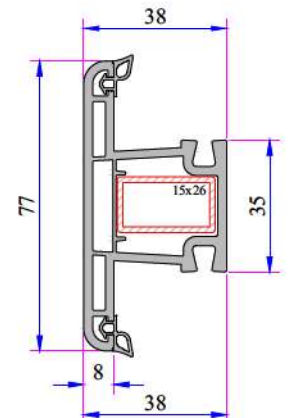
Frame With Fly-Screen&Sill
222.1109



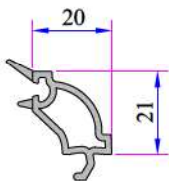
Sliding System Sash Profile
222.2300 (with Brush)
222.2301 (without Brush)



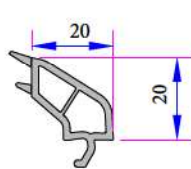
Super Sliding System
Sash Profile
222.2304 (without Brush)
222.2307 (with Brush)



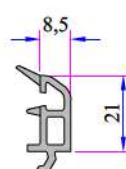
Mullion Profile for
Sash Profile
222.3201



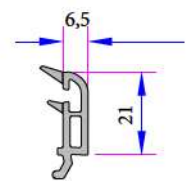
Single Glazing Bead 4-6 mm
101.4102



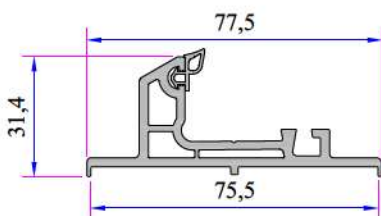
Double Glazing Bead 28 mm
101.4100



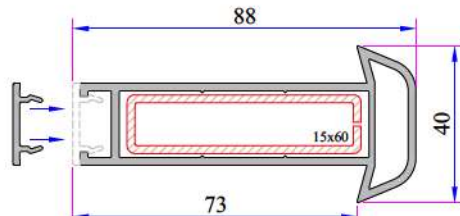
Double Glazing Bead 15 mm
532.4400



Double Glazing Bead 17 mm
532.4500



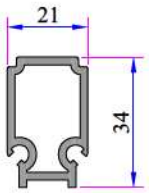
Double Rail Adaptor Profile
232.5800



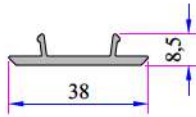
Universal Large Coupling Profile
058.5000



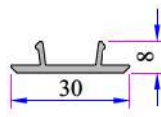
Universal Large Coupling
Cover Profile
900.5705



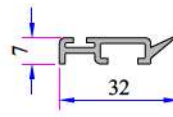
Alm. Double Sash Adaptor Profile
AD16-011



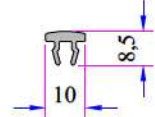
Sash Cover Profile
222.5704



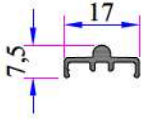
Screen Sash Cover Profile
242.5701



Lap Strip Profile
232.5801



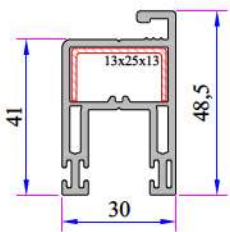
Frame Channel Cover Profile
232.5703



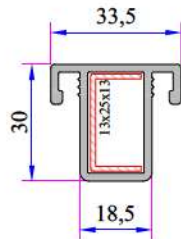
Alm. Sliding Rail Profile
AD16 053



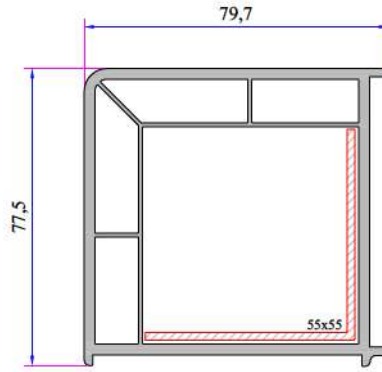
Alm. Sliding Rail Profile
AD16-014



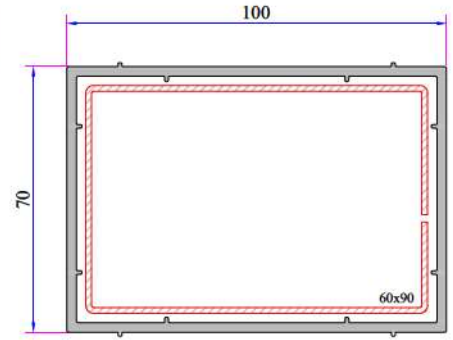
Sliding System Sash Profile
242.2305



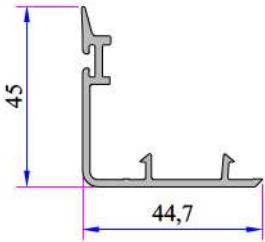
Screen Mullion Profile
242.3200



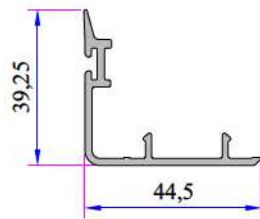
Corner Profile (90°)
070.5100



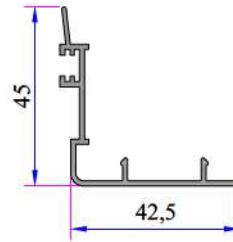
Box Profile (70*100)
070.5202



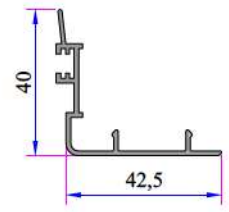
PVC Super Sash Cover Profile
222.5700



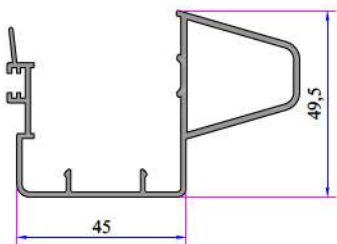
PVC Sash Cover Profile
222.5708



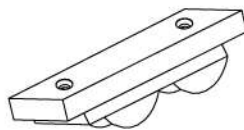
Alm. Sash Cover Profile
AD16-032



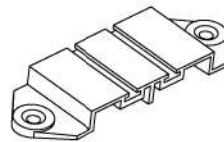
Alm. Super Sash Cover Profile
AD16-031



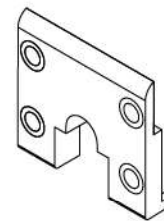
Alm. Sash Cover Grillage Profile
(In Process)



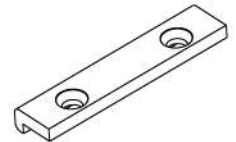
Sliding Roller Brass
34009-18030



Sealing Bit Double Rail
34009-27010

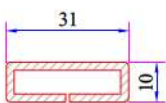


Sliding Sash End Bit
34009-47010

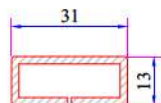


Upper Bedding Piece for
Sliding Rail
34009-37010

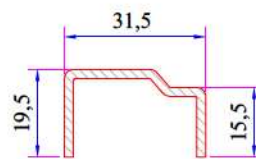
W 222 Re-Inforcement Profiles



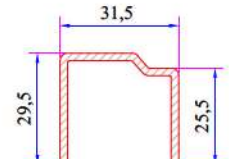
Triple Rail Frame - Frame With
Flat-Sill Profile - Frame With Fly-
Screen&Sill Profile Reinforcement
34022-12107



New Frame Profile (Double Rail)-
New Frame Profile (Triple Rail)
Profile Reinforcement
34022-12126

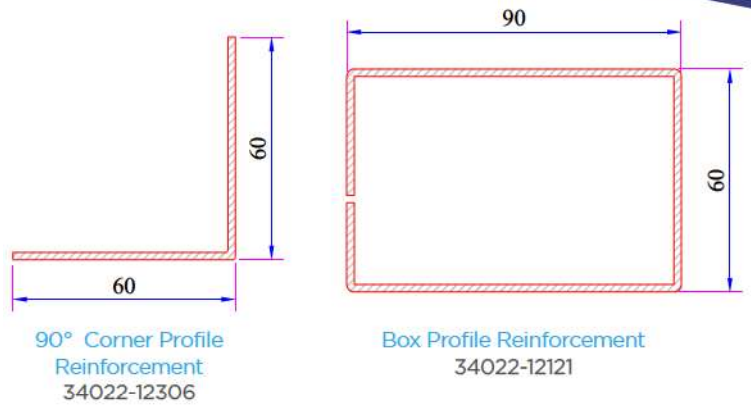
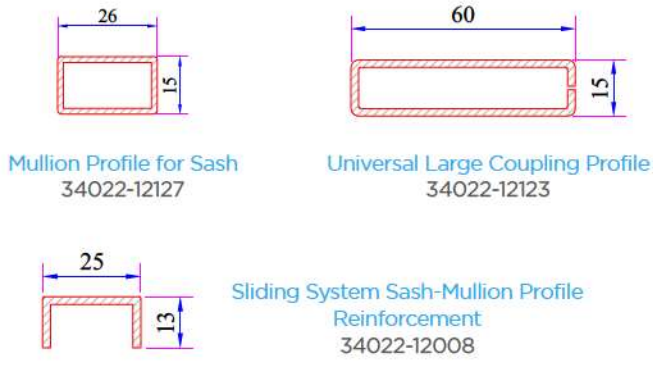


Sliding System Sash Profile
Reinforcement
34022-15026

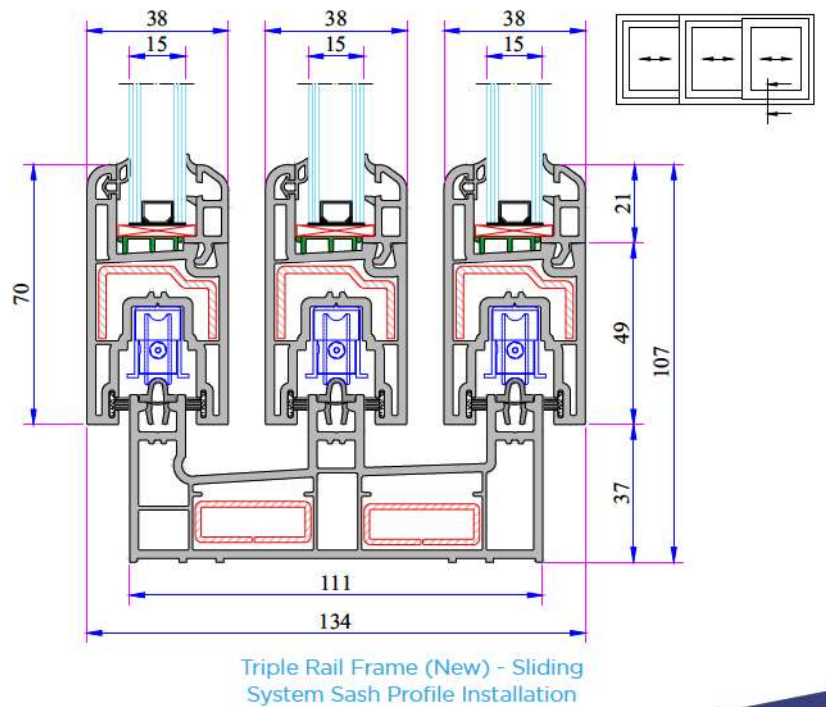
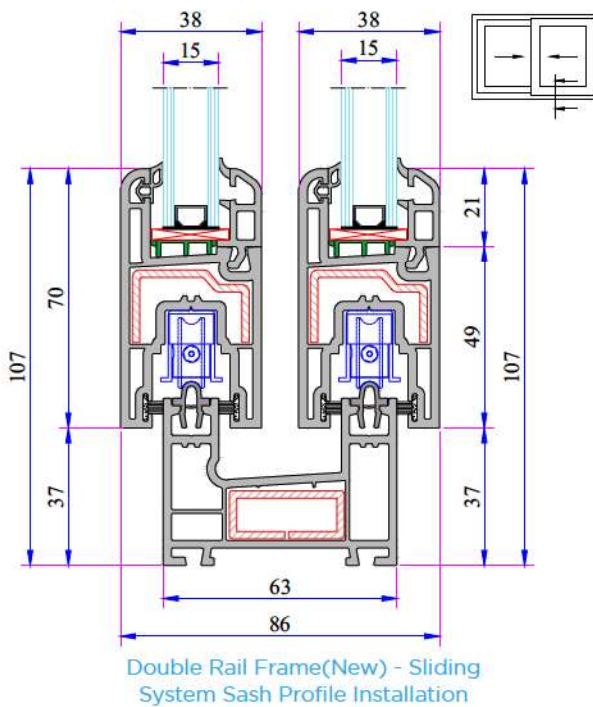
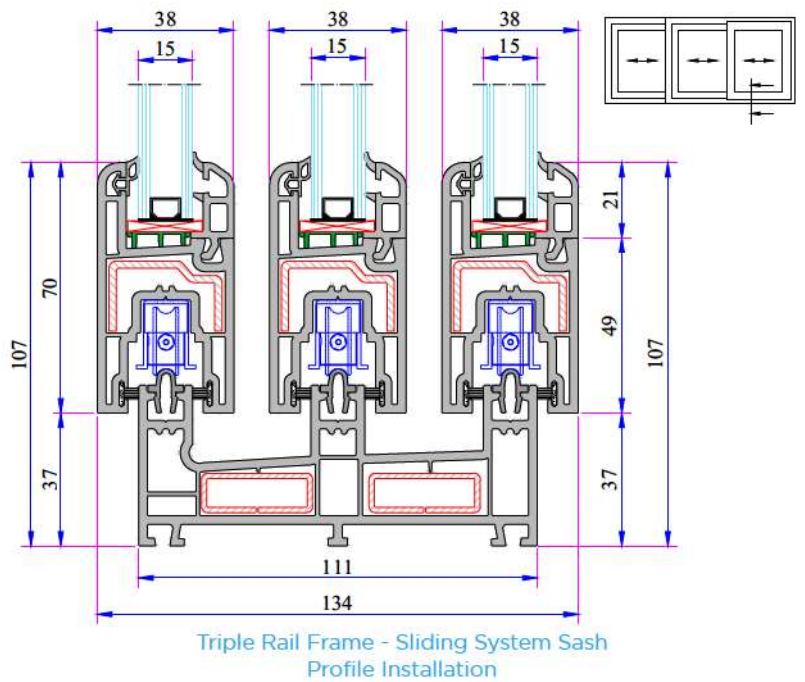
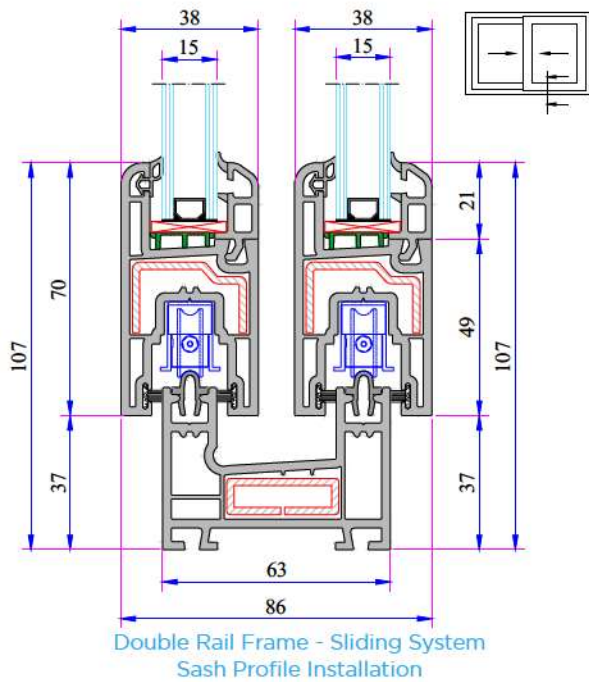


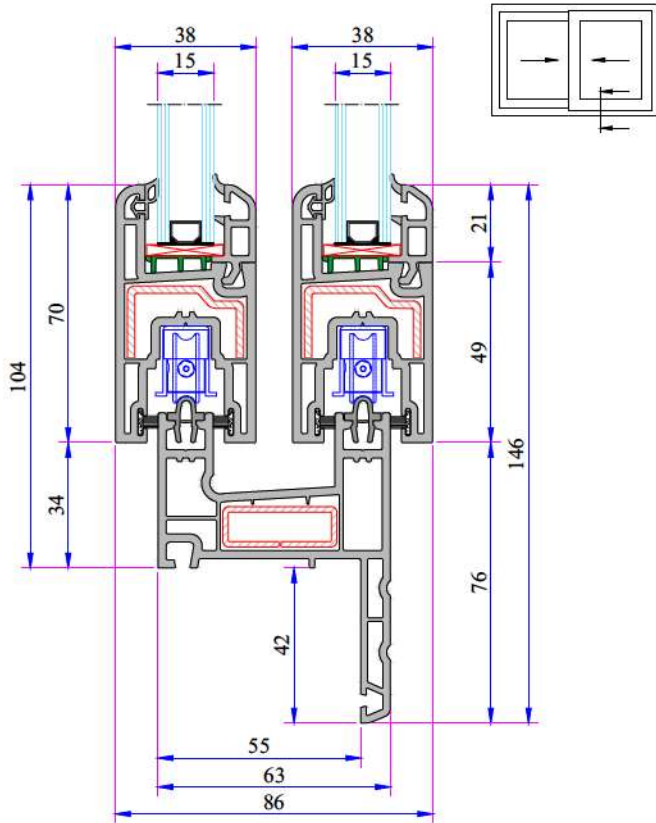
Super Sliding System Sash Profile
Reinforcement
34022-15027

W 222 RAIL SERIES PVC PROFILE SYSTEM

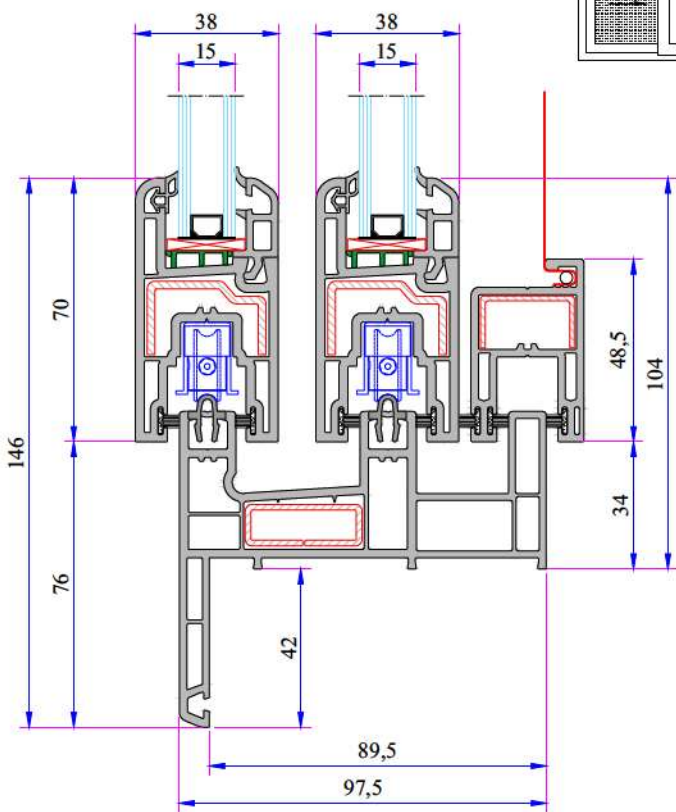


W 222 Installation



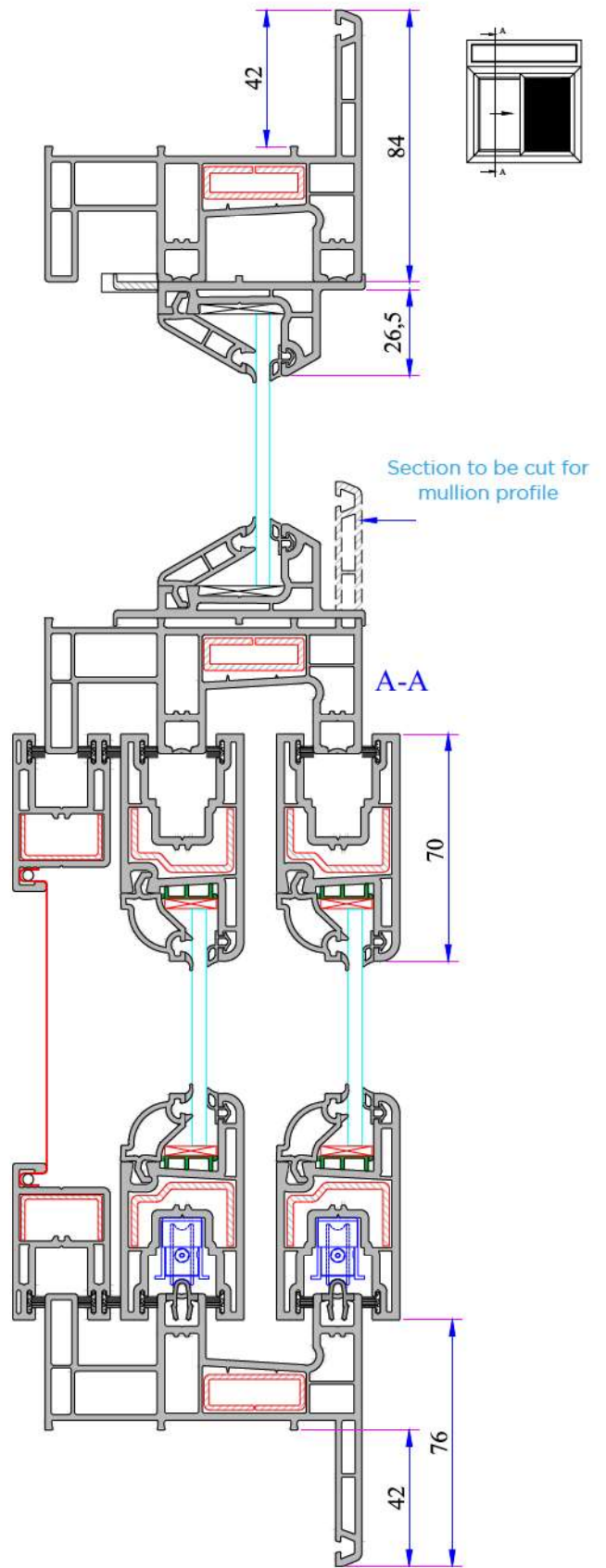


Double Rail Frame with Sill - Sliding System Sash Profile Installation

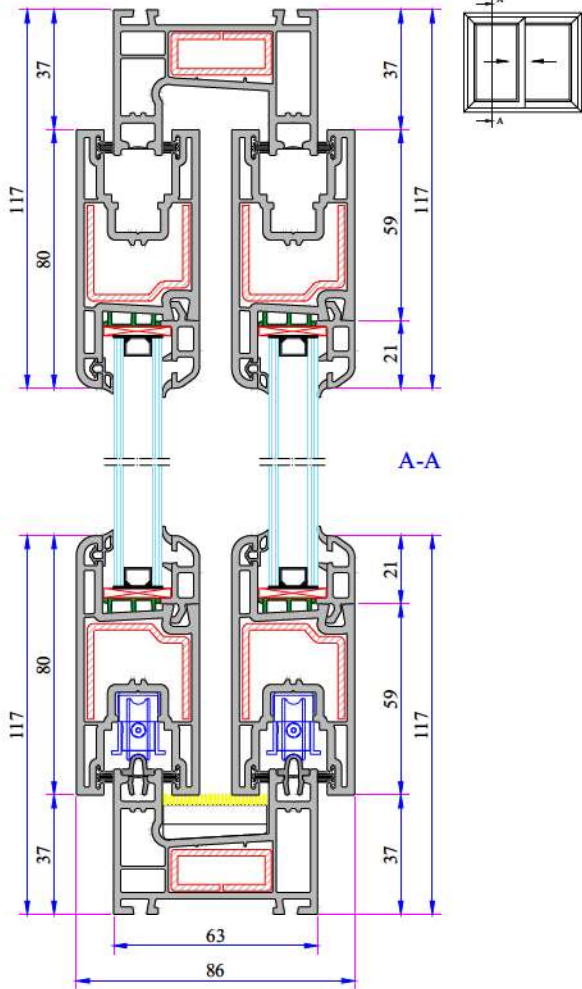


Double Rail Frame With Fly-Screen & Sill - Sliding System Sash Installation

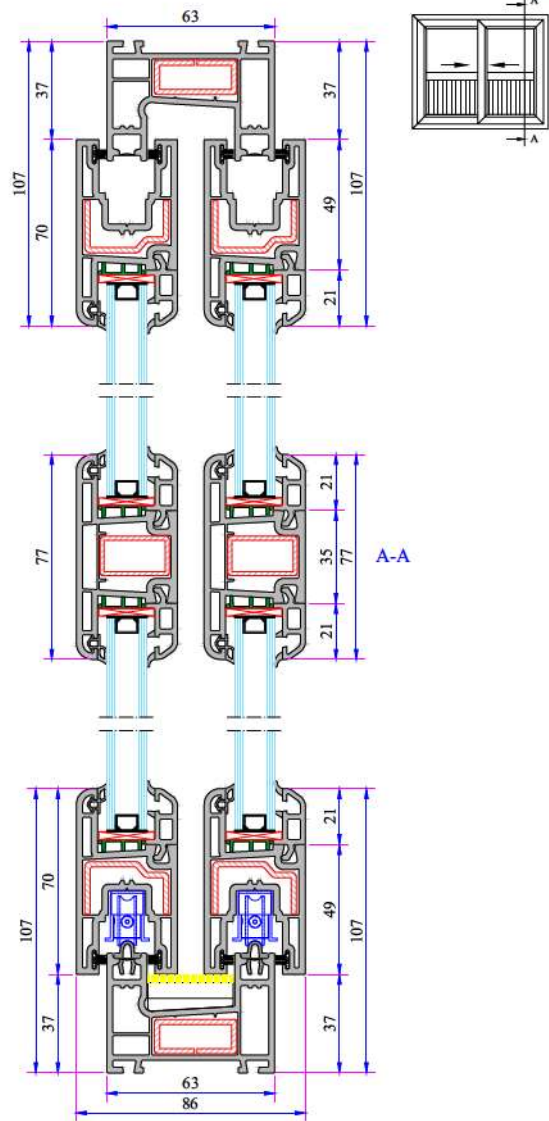
Double Rail Adaptor Profile Installation



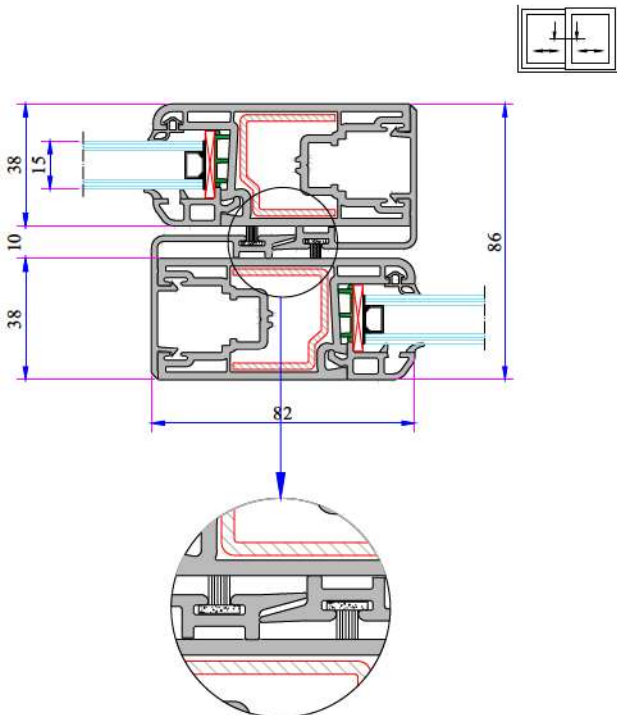
**W 222 RAIL SERIES
PVC PROFILE SYSTEM**



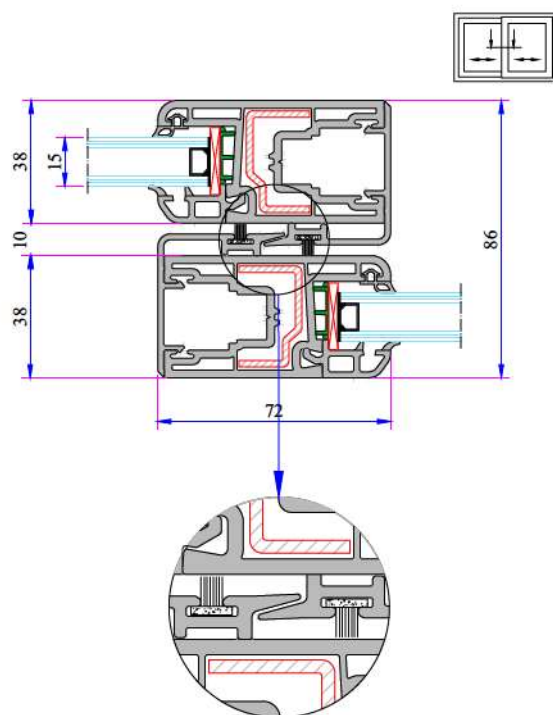
Double Railed Frame and Double Sash Installation



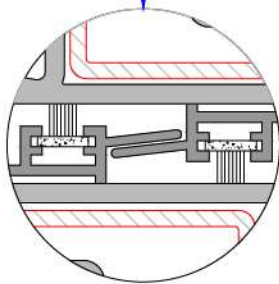
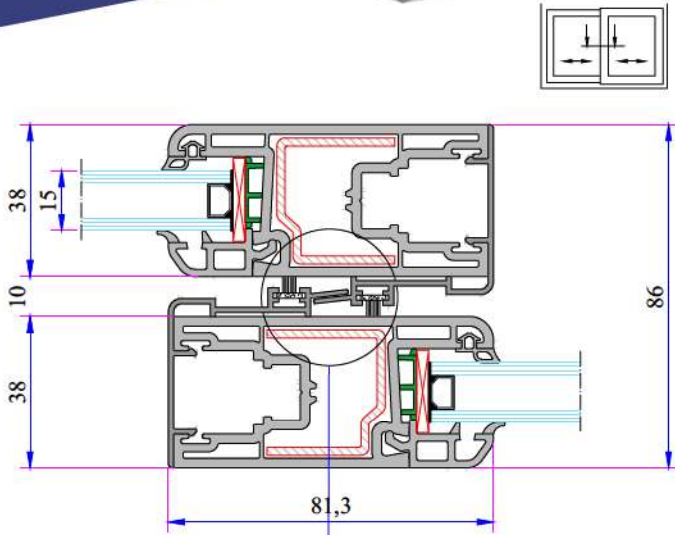
Mullion For Sash Installation



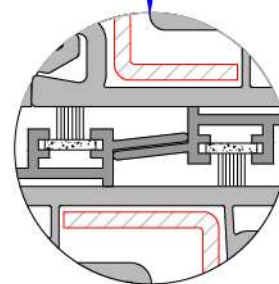
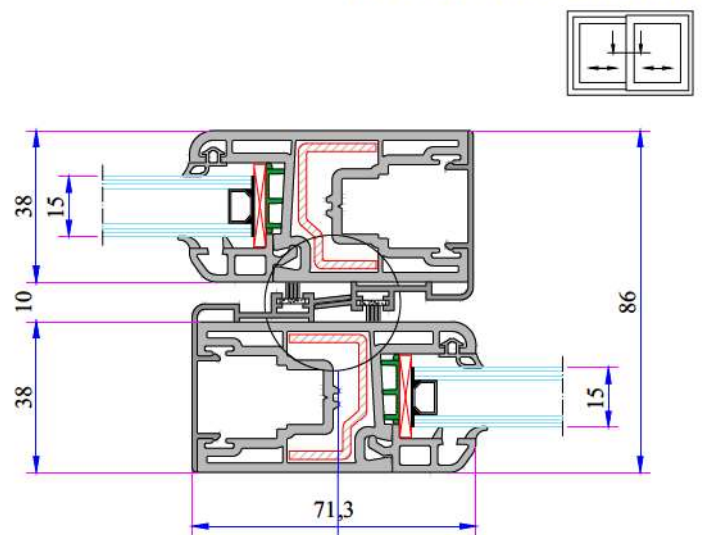
Sliding System Super Sash Back Cover Profile Installation



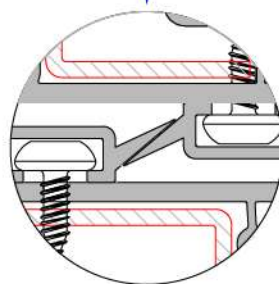
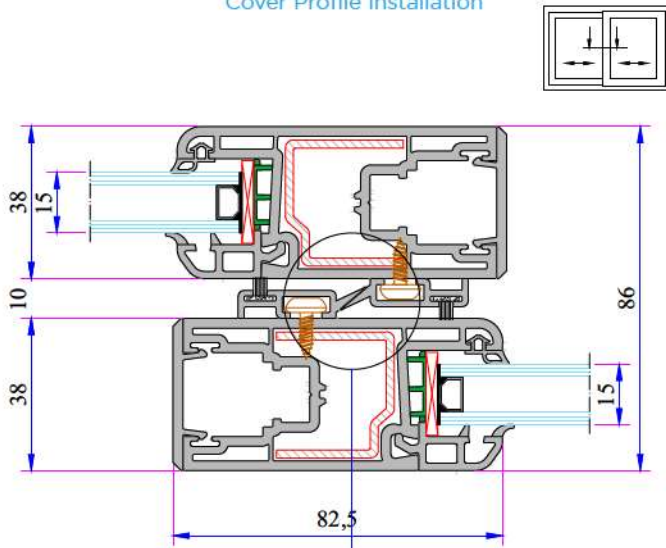
Sliding System Sash Back Cover Profile Installation



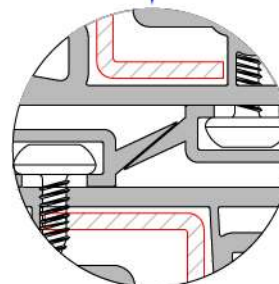
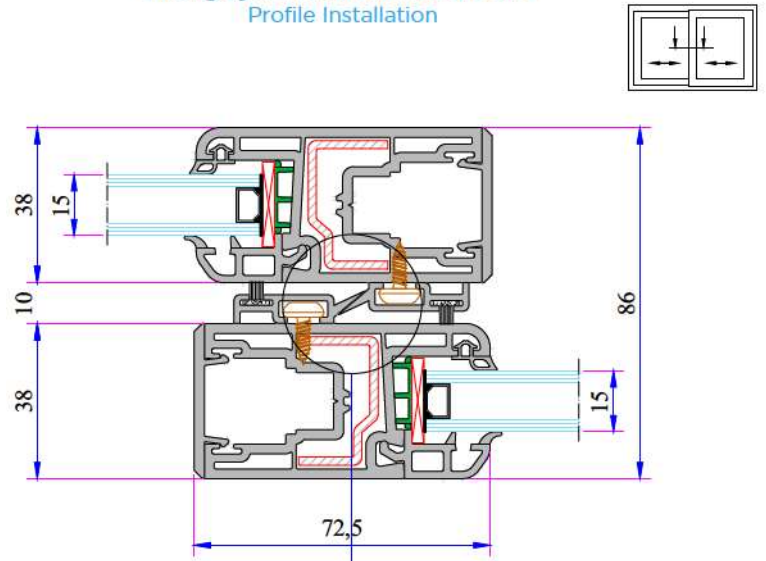
Sliding System Super Sash Alm. Back
Cover Profile Installation



Sliding System Sash Alm. Back Cover
Profile Installation

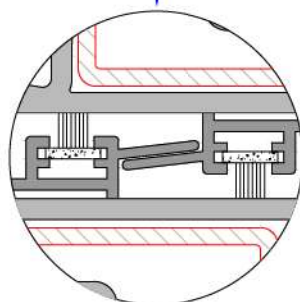
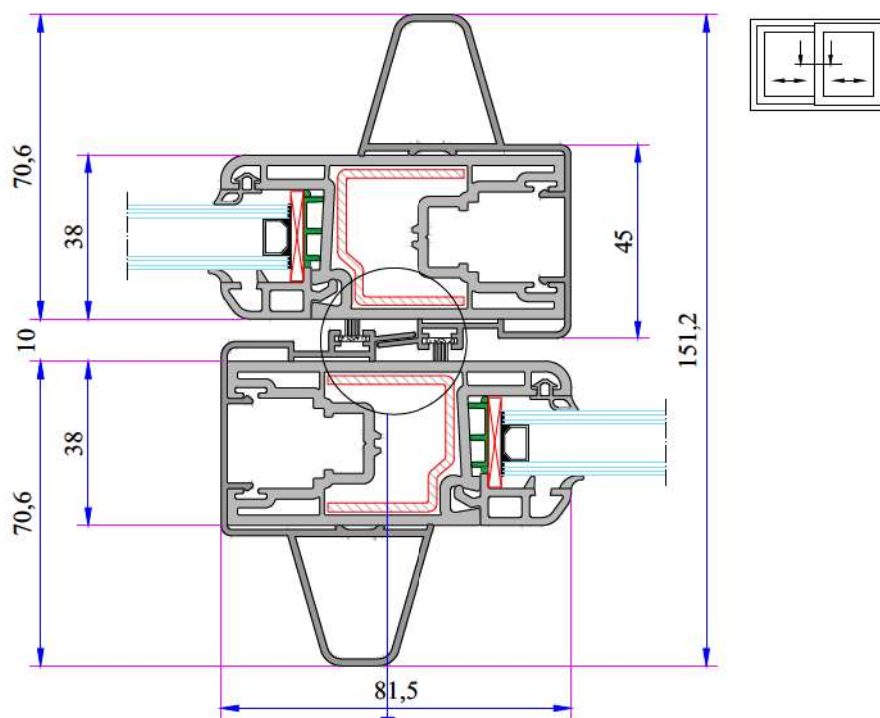


Sliding System Super Sash Lap Strip
Profile Installation

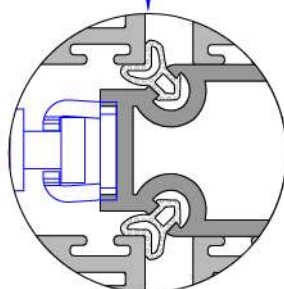
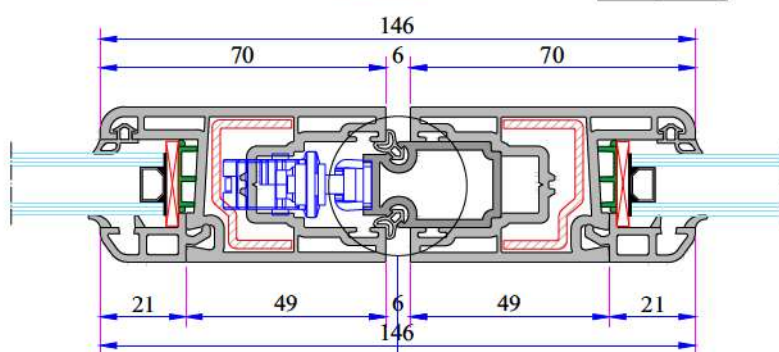


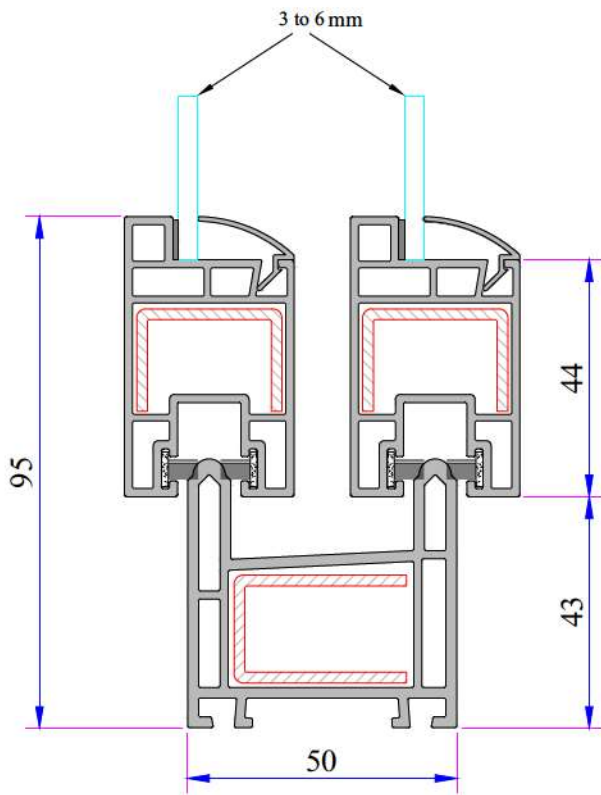
Sliding System Sash Lap Strip Profile
Installation

Sliding System Super Sash - Sash
Cover Grillage Profile Installation



Alm. Double Sash Adaptor Profile
Installation





TECHNICAL

W 150 SLIDING SERIES

Profile Width: 50 mm

Number of chambers: 3

Profile Class: C Class

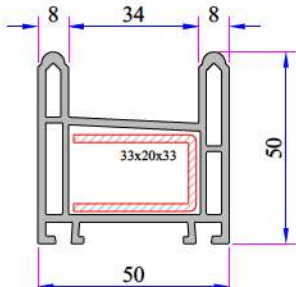
Seal Type: The installed bristle wick system

Glass Thickness (mm): 3 to 6 mm

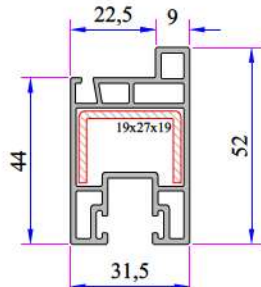
INSTRUCTION

- 50 mm double rail frame and 31,5 mm sliding sash profile.
- Perfect thermal, sound and water isolation Because of the 3 chambers system.
- Single glazing (3 to 6 mm).
- Application with roller shutter and without roller shutter.
- Color range for laminated products.
- It is quality is accredited by national and international certificates.

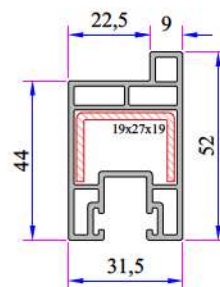
W 150 SLIDING SERIES PVC PROFILE SYSTEM



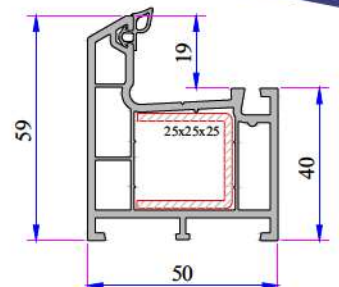
Sliding Frame Profile
150.1100



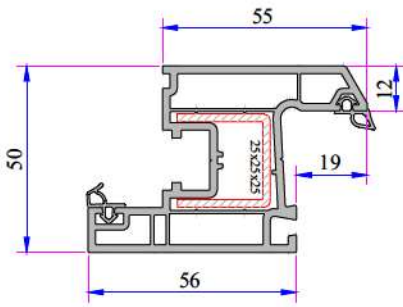
Sliding Sash Profile with Bead Channel
150.2302



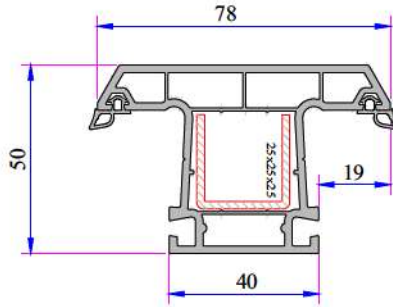
Sliding Sash Profile
150.2303



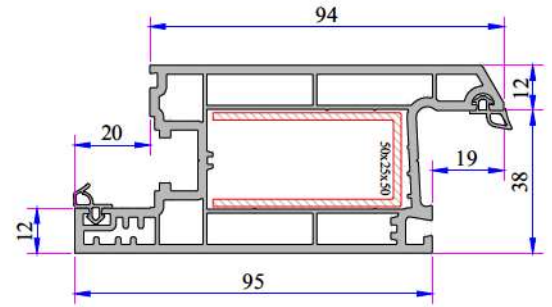
330 Frame Profile
330.1000



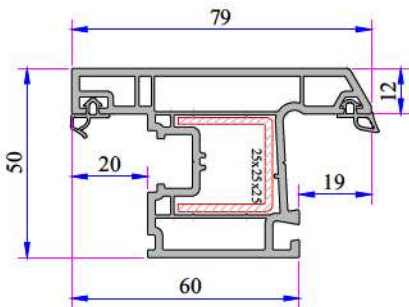
330 Sash Profile
330.2000



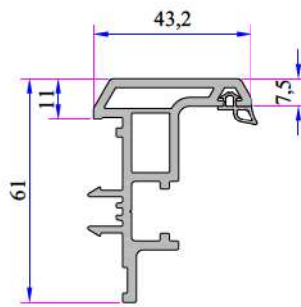
330 Mullion Profile
330.3000



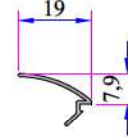
332 Door Sash Profile
332.2100



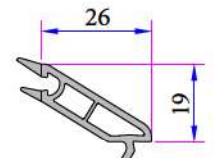
330 Outward Opening Sash Profile
330.2001



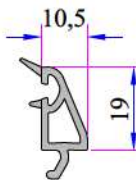
332 Lap Joint Profile
332.3100



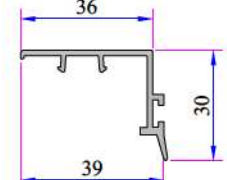
Single Glazing Bead
150.4701



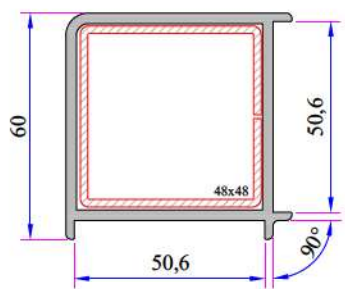
4mm Single Glazing Bead
332.4000



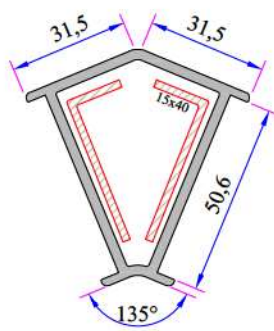
20mm Double Glazing Bead
332.4100



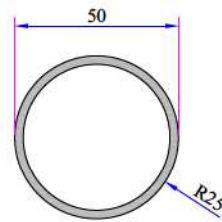
Sash Cover Profile
150.5700



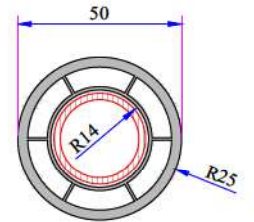
Corner Profile (90°)
050.5100



Corner Profile (135°)
050.5102



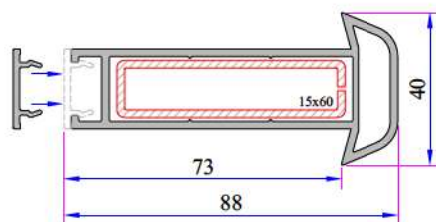
Angled Pipe Profile (Ø50)
050.5105



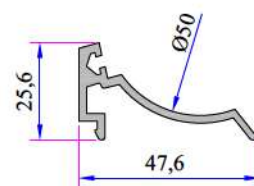
Angled Pipe Profile (Ø50)
050.5106



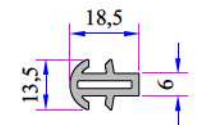
Universal Large Coupling Cover Profile
058.5707



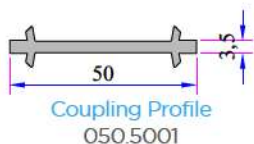
Universal Large Coupling Profile
058.5000



Alm. Angled Pipe Adaptor Profile
(In Process)

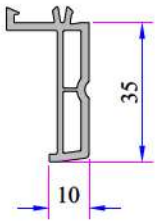


Short Coupling Profile
099.5003

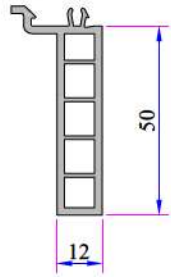


Coupling Profile
050.5001

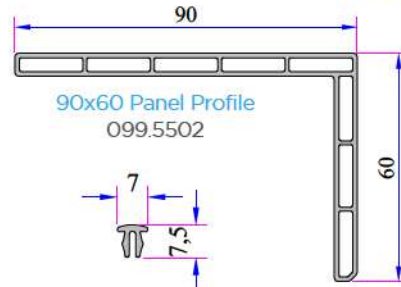
W ISO SLIDING SERIES PVC PROFILE SYSTEM



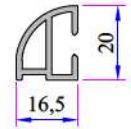
35mm Frame Sill Profile
099.5523



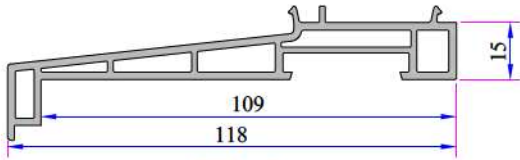
50mm Frame Sill Profile
099.5524



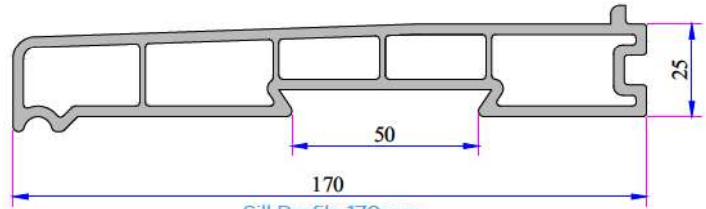
90x60 Panel Profile
099.5502
Frame Channel Cover Profile
099.5703



Offset Profile
900.6307

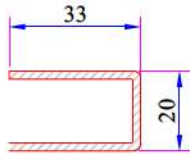


Sill Profile
058.5504

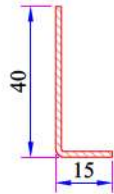


Sill Profile 170mm
099.5513

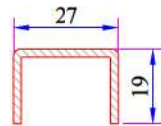
W ISO Sliding Re-Inforcement Profiles



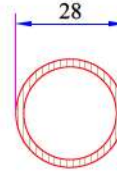
Sliding Frame Profile
Reinforcement
34022-12019



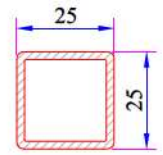
Corner Profile (135°)
34022-12301



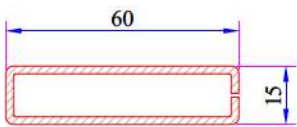
Sliding Sash Profile
Reinforcement
34022-12028



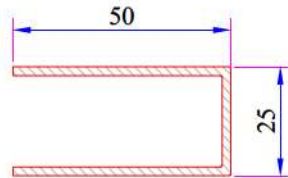
Angled Pipe Profile
Reinforcement
34022-12503



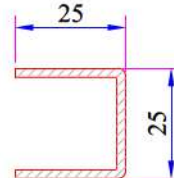
Frame, Mullion Profile Static
Reinforcement
34022-12122



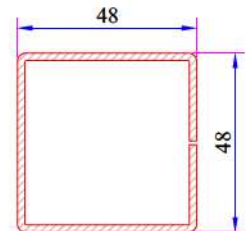
Universal Large Coupling Profile
Reinforcement
34022-12123



Door Sash Profile Reinforcement
34022-12012

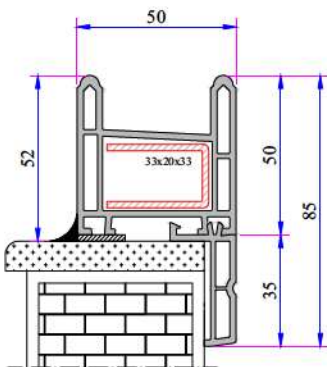


330 Frame, Sash, Mullion, Outward
Opening Sash Profile Reinforcement
34022-12003

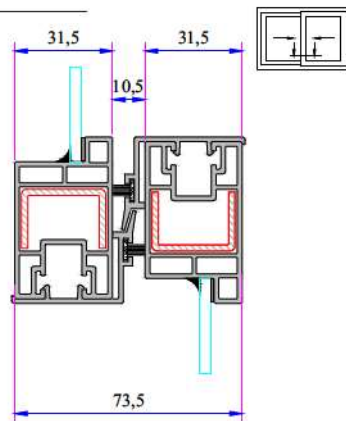


Corner Profile (90°)
34022-12101

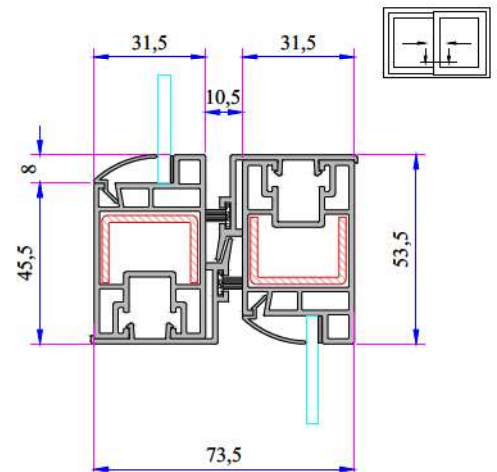
W ISO Sliding Installation



35mm Frame Sill Profile
Installation

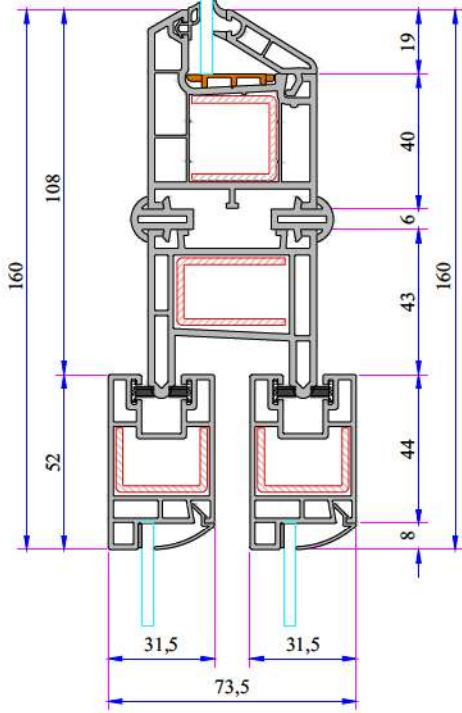
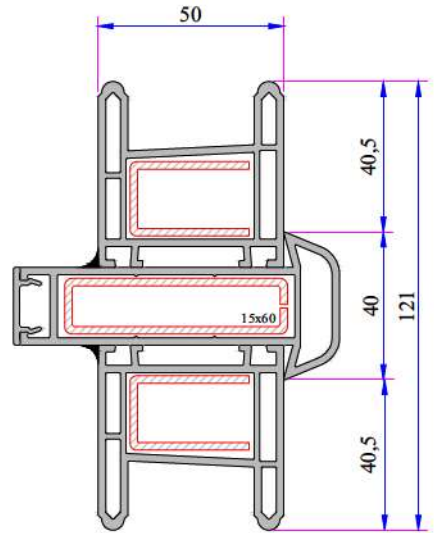
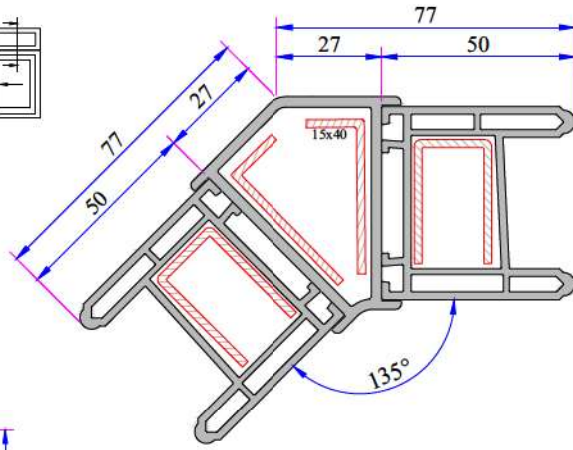
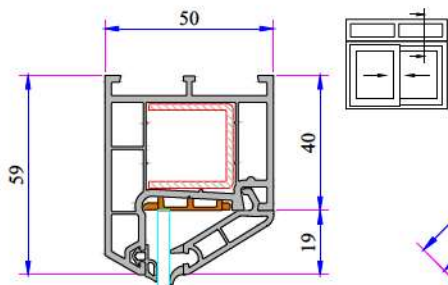


Sliding Sash - Sash Cover Profile
Installation

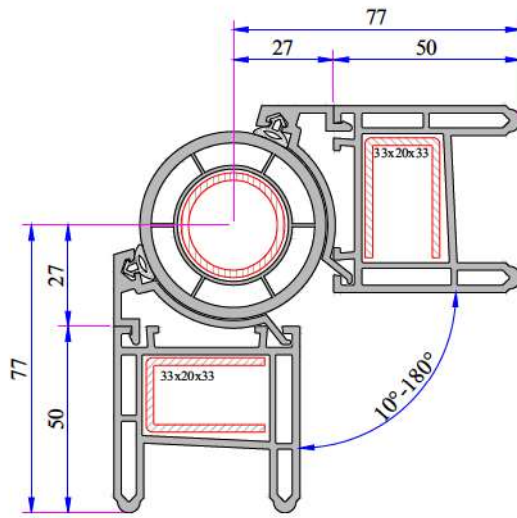


Sliding Sash - Sash Cover Profile
Installation

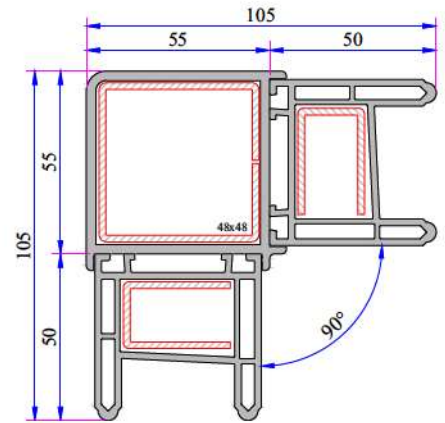
W 150 SLIDING SERIES PVC PROFILE SYSTEM



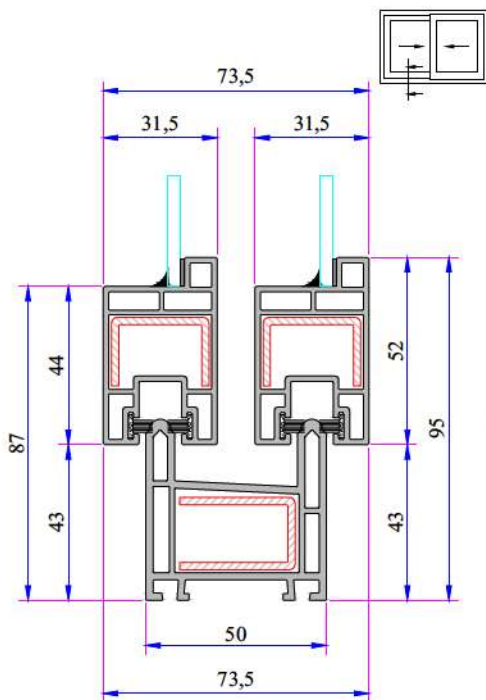
Sliding Frame - 330 Frame Installation



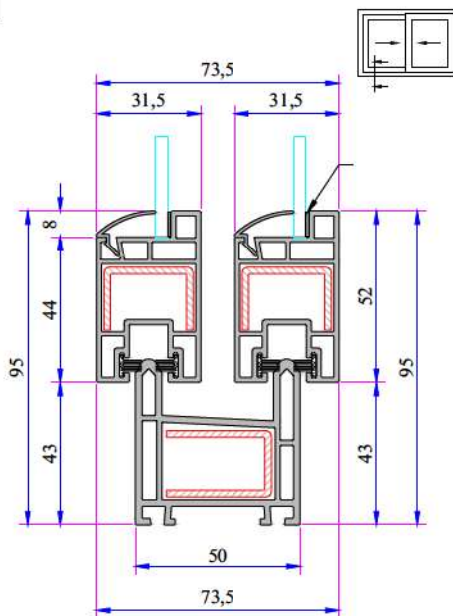
Corner And Pipe Profile Installation



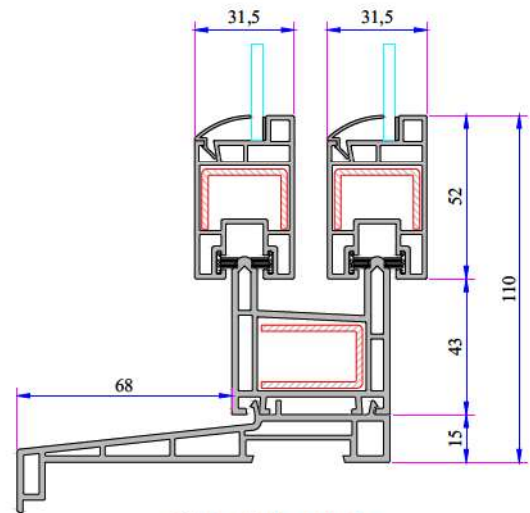
90° Corner Profile Installation



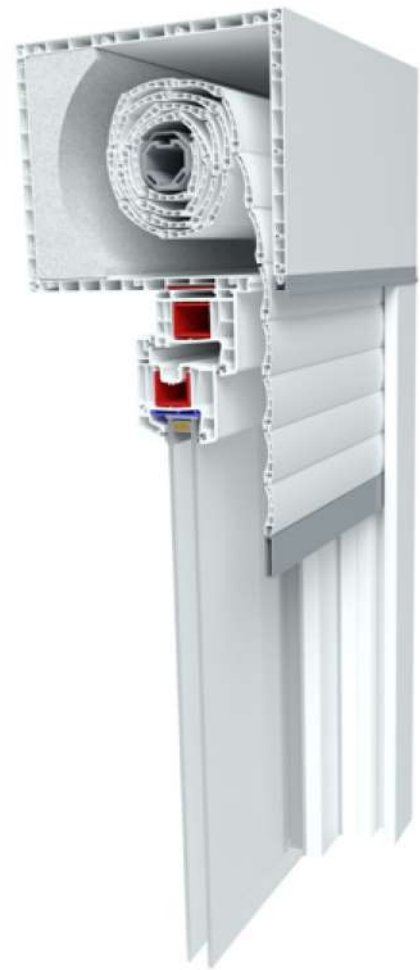
Sliding Frame Profile - Sliding Sash Profile Installation



Sliding Frame Profile - Sliding Sash Profile Installation



Sill Profile Installation



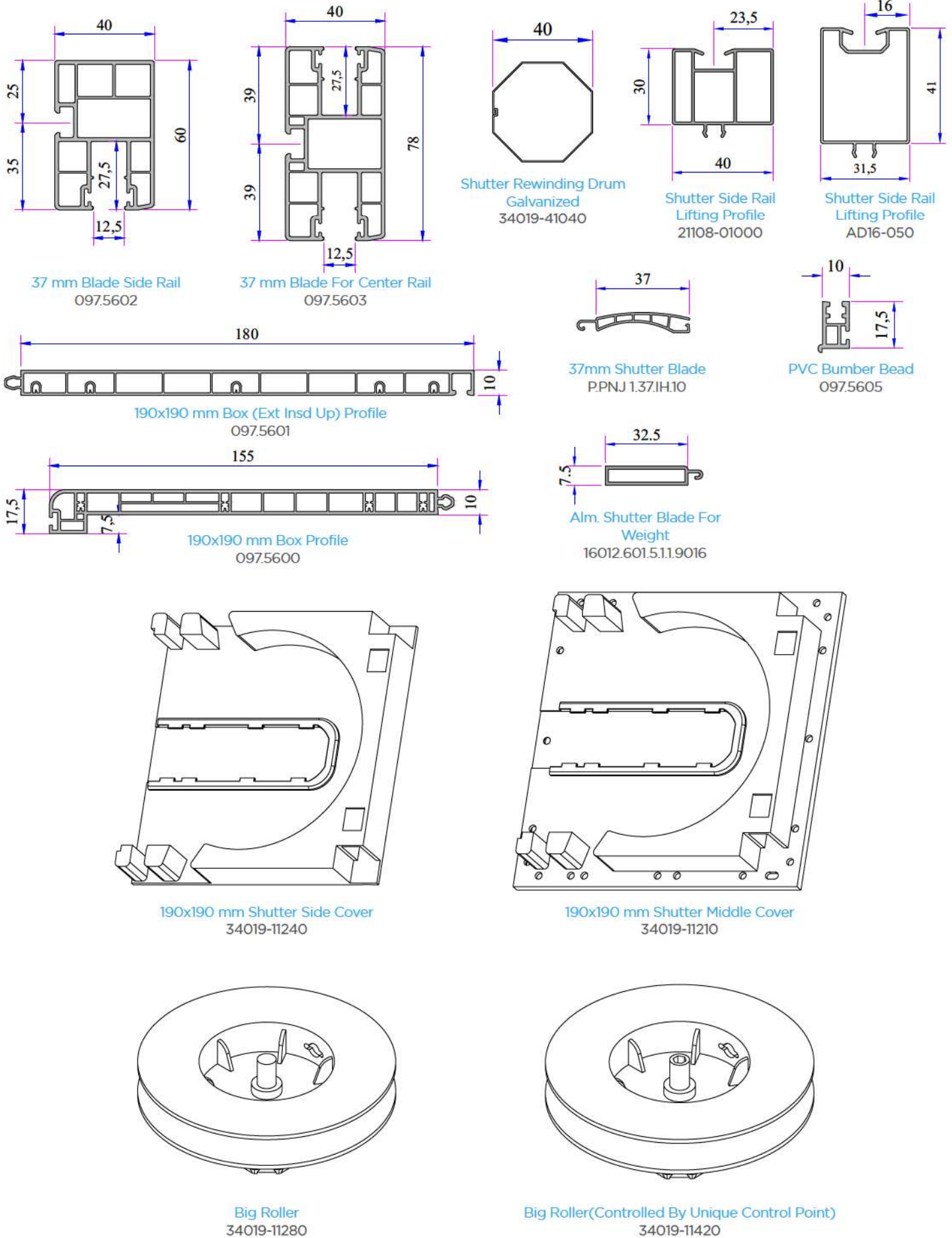
INSTRUCTION

ADO ROLLER SHUTTER PROFILE SERIES

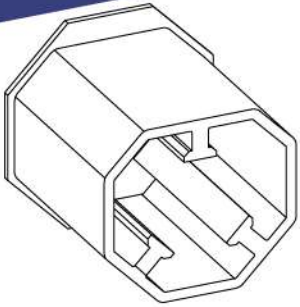
- With 190 x 190 mm, 190 x 225 mm, 225 x 225 mm 155 x 155 mm 4 different type of boxes give us possibility to work on desired wall thickness, width and height due to 190 x 225 mm ve 225 x 225 mm boxes, it has a chance to use roller shutter with heat insulation.
- It provides the possibility of installation inside and outside the wall. The installation of blade and maintenance - is possible from inside for all kinds room of renovation.
- It can be applied with motor, remote control and manual cord.
- The sliding rails are available with blade of roller shutter of measurements 37 mm, 39 mm, 42 mm, 50 mm, 55 mm.

ROLLER SHUTTER PROFILE SYSTEM

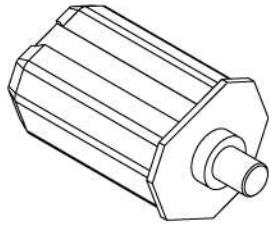
190x190mm BOX OF ROLLER SHUTTER



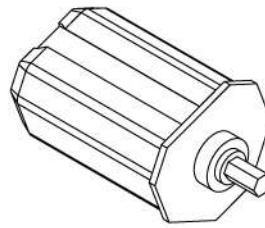
ROLLER SHUTTER PROFILE SYSTEM



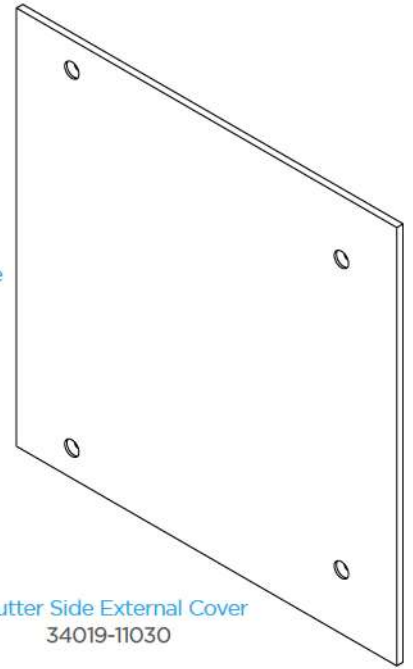
Shutter 40x60 Muff
34019-11300



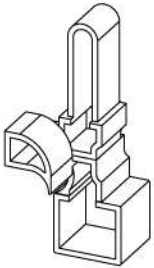
Shutter Small Roller
34019-11290



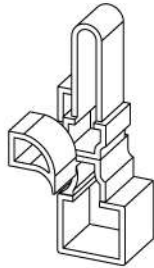
Small Roller Controlled By Unique Control Point
34019-11410



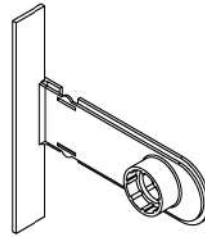
Shutter Side External Cover
34019-11030



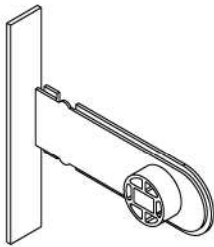
Shutter Rail On Side
34019-11110



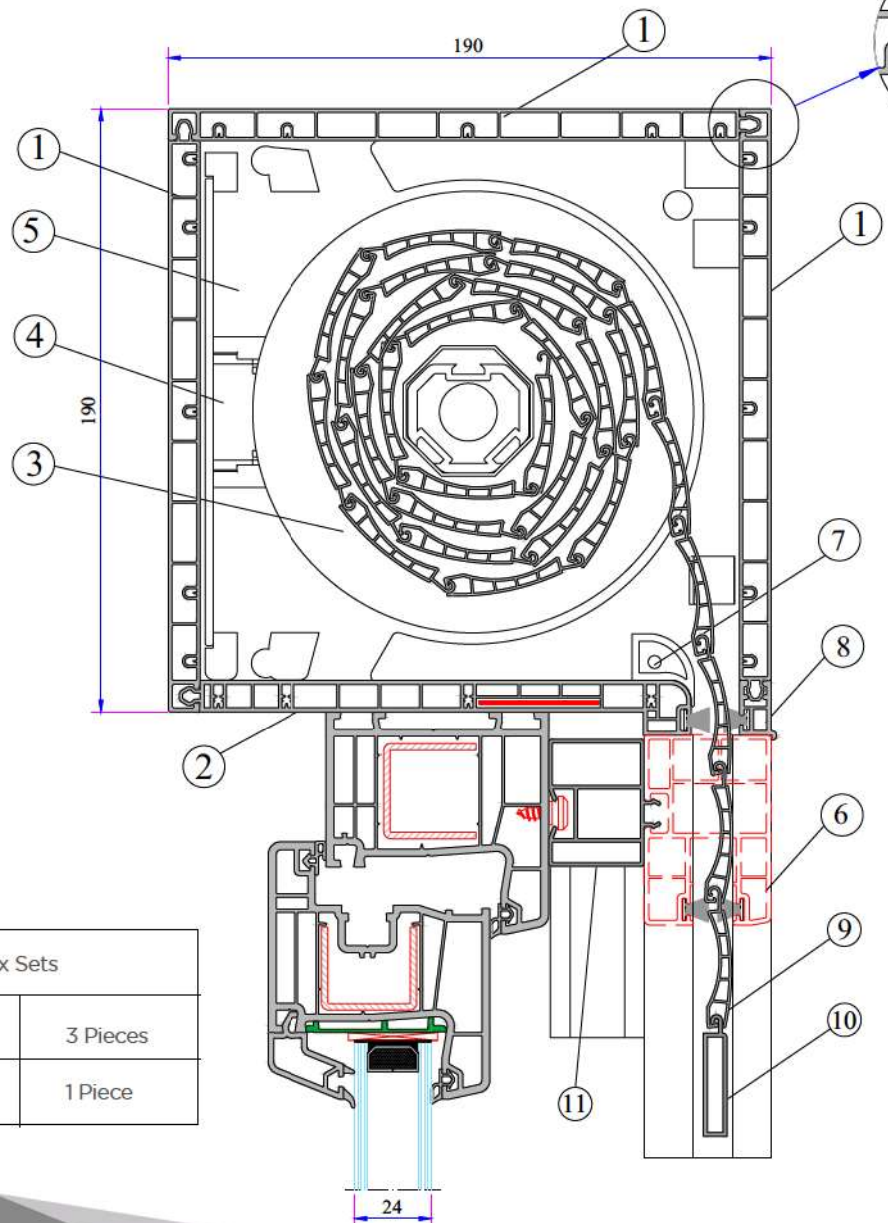
Shutter Rail In The Middle
34019-11310



Shutter Side and Middle Roller
34019-11250



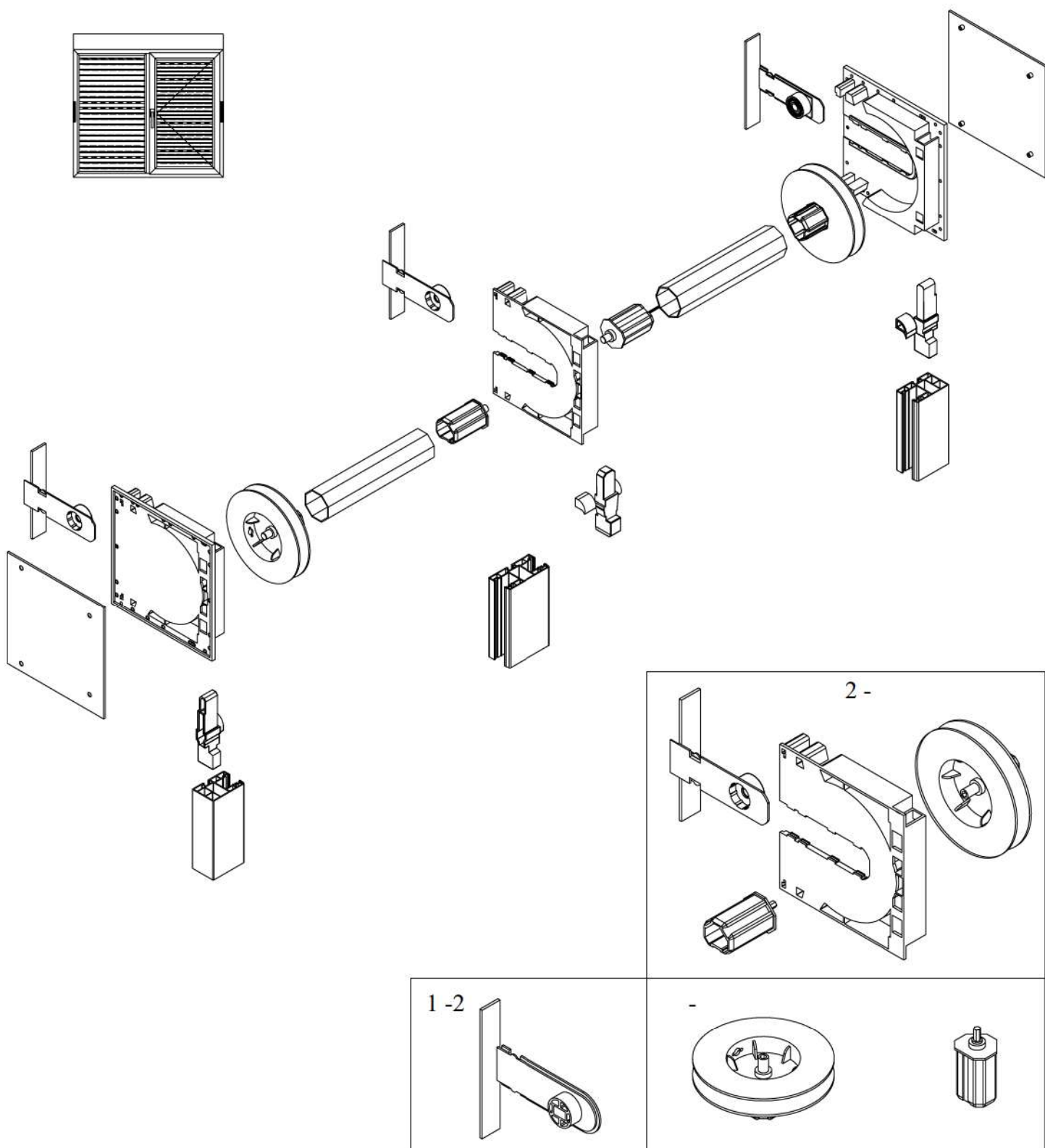
Shutter Side and Middle Roller (It is For Motorized Roller Shutter)
34019-11260



- 1- Box External - Superior - Inner profile
- 2- Bottom Box profile
- 3- Big Roller
- 4- Side cover sled
- 5- Side Cover
- 6- New side rail
- 7- Rails beading sled (Right -Left)
- 8- PVC Bumber Bead
- 9- Shutter blade
- 10- Alm. Blade for the weight
- 11- Middle Fly Screen with Pile Profile

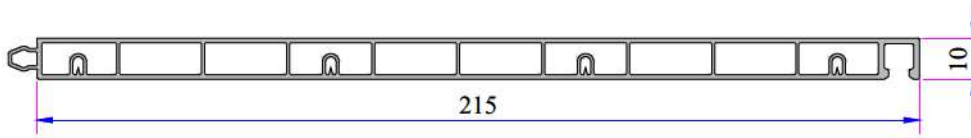
190x190mm Roller Shutter Box Sets	
Roller Shutter, Inner External and Superior Box Profile	3 Pieces
Roller Shutter Lower Box Profile	1 Piece

ROLLER SHUTTER PROFILE SYSTEM

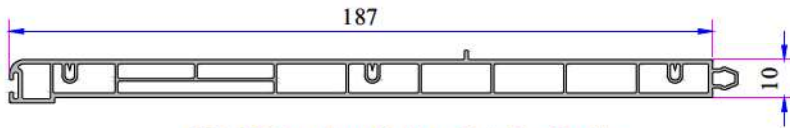


- Notes:**
- 1.** In case of motorized roller shutter use, only the inner side of the roller bearing should be selected as rectangular. The picture is upwards section.
 - 2.** The single-point controlled (which does not matter whether it is corded or motorized) roller shutters including 2, 3, 4 pieces will have the option of transferring the small and large roller at each crossing point. The small and large rollers pass each other with hexagonal heads.

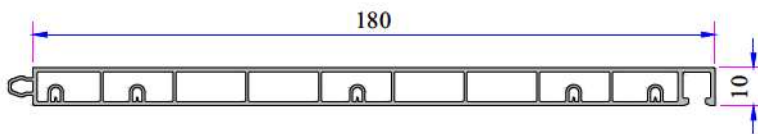
190x225mm INSULATED ROLLER SHUTTER BOXES



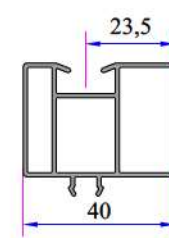
190x225 Insulated Above Side Box Profile
097.5611



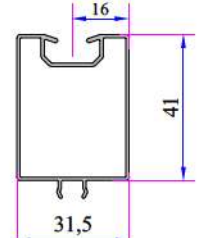
190x225 Insulated Bottom Side Box Profile
097.5612



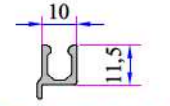
190x225 Insulated External And Inner Box Profile
097.5601



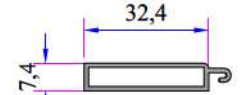
Shutter Side Rail Lifting Profile
21108-01000



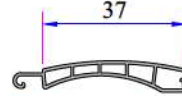
Shutter Side Rail Lifting Profile
AD16-050



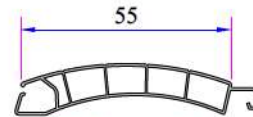
Alm. Bumber Bead
16036.601.5.11.9016



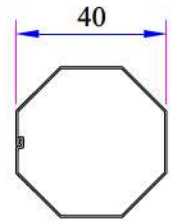
Alm. Blade For Weight
16012.601.5.11.9016



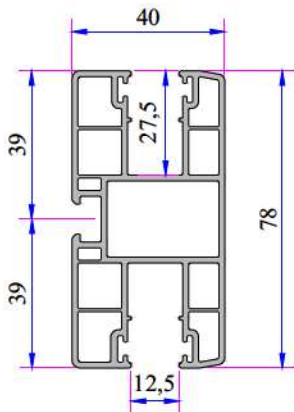
37' Shutter Blade
P.PNJ 1.37.IH.10



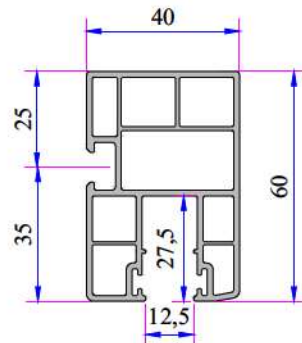
55' Shutter Blade
P.PNJ 1.55.10



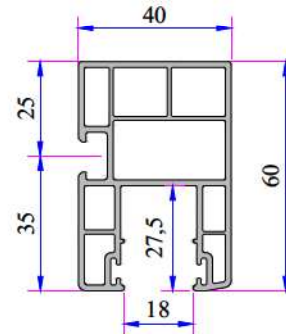
Shutter Rewinding Drum Galvanized
34019-41040



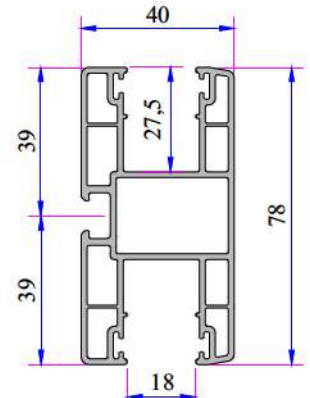
37' Side Rail Blade
097.5603



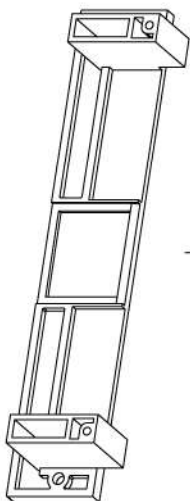
37' Middle Rail Blade
097.5602



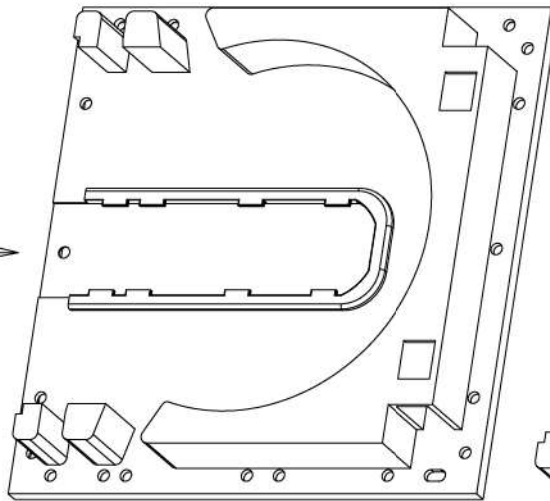
55' Side Rail Blade
097.5613



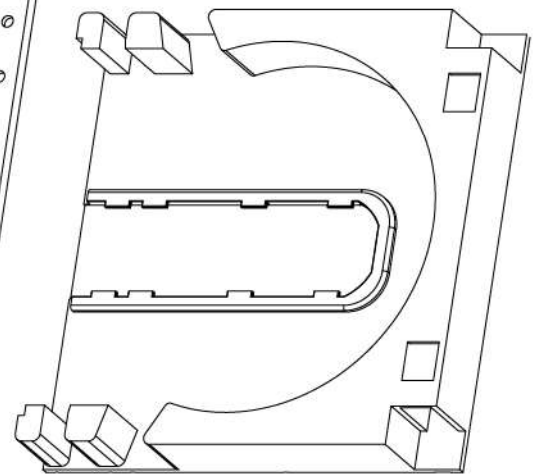
55' Middle Rail Blade
097.5614



190x225 mm Insulated Roller Shutter Side Extension Cover
34019-11020

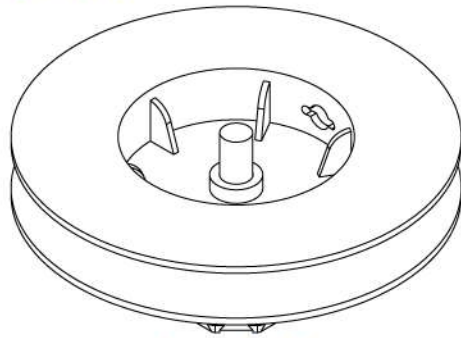


190x190 mm Shutter Side Cover
34019-11210

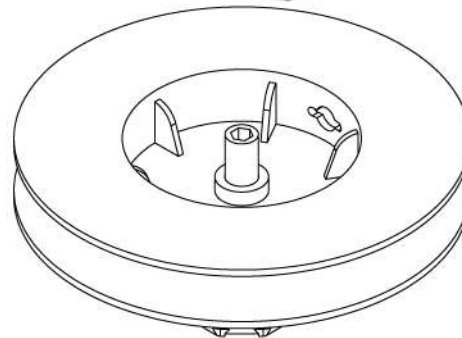


190x190 mm Shutter Middle Cover
34019-11240

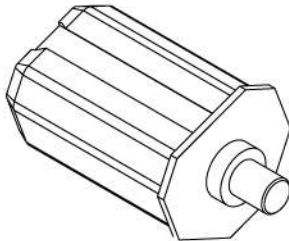
ROLLER SHUTTER PROFILE SYSTEM



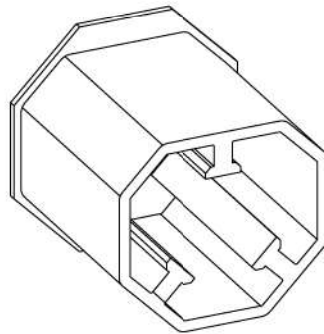
Shutter Big Roller
34019-11280



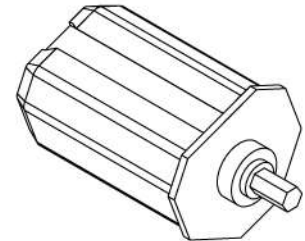
Big Roller (Controlled by Unique Control Point)
34019-11420



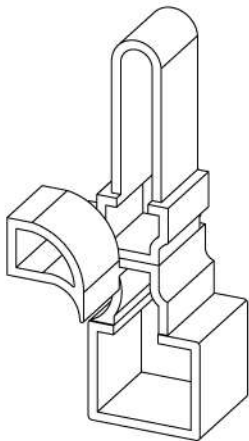
Shutter Small Roller
34019-11290



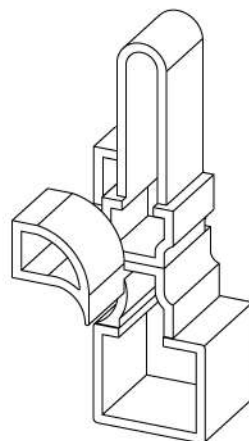
Shutter 40x60 Muff
34019-11300



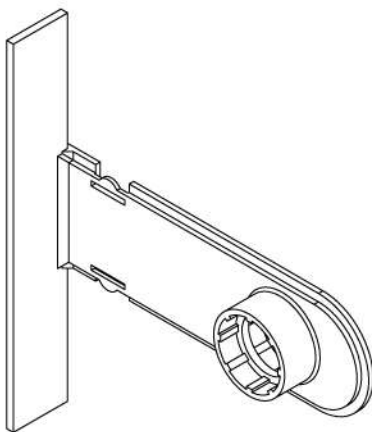
Small Roller (Controlled By Unique Control Point)
34019-11410



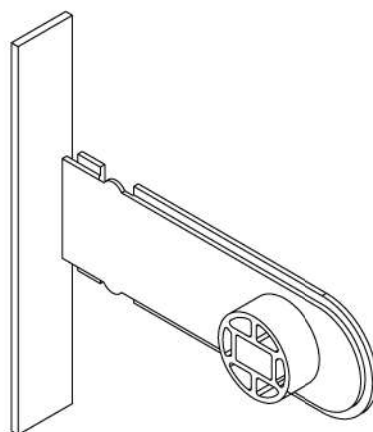
Shutter Side Rail Sled
34019-11110



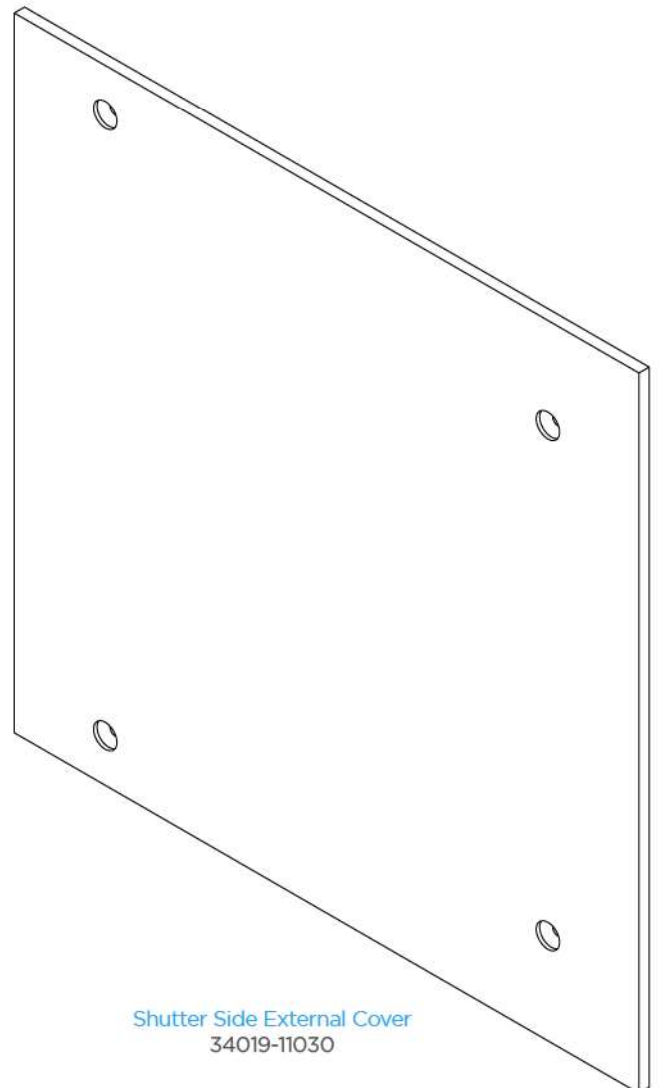
Shutter Middle Rail Sled
34019-11310



Shutter Side and Middle Roller Setting
34019-11250



Shutter Side and Middle Roller Setting
(for Motorized Shutters)
34019-11260



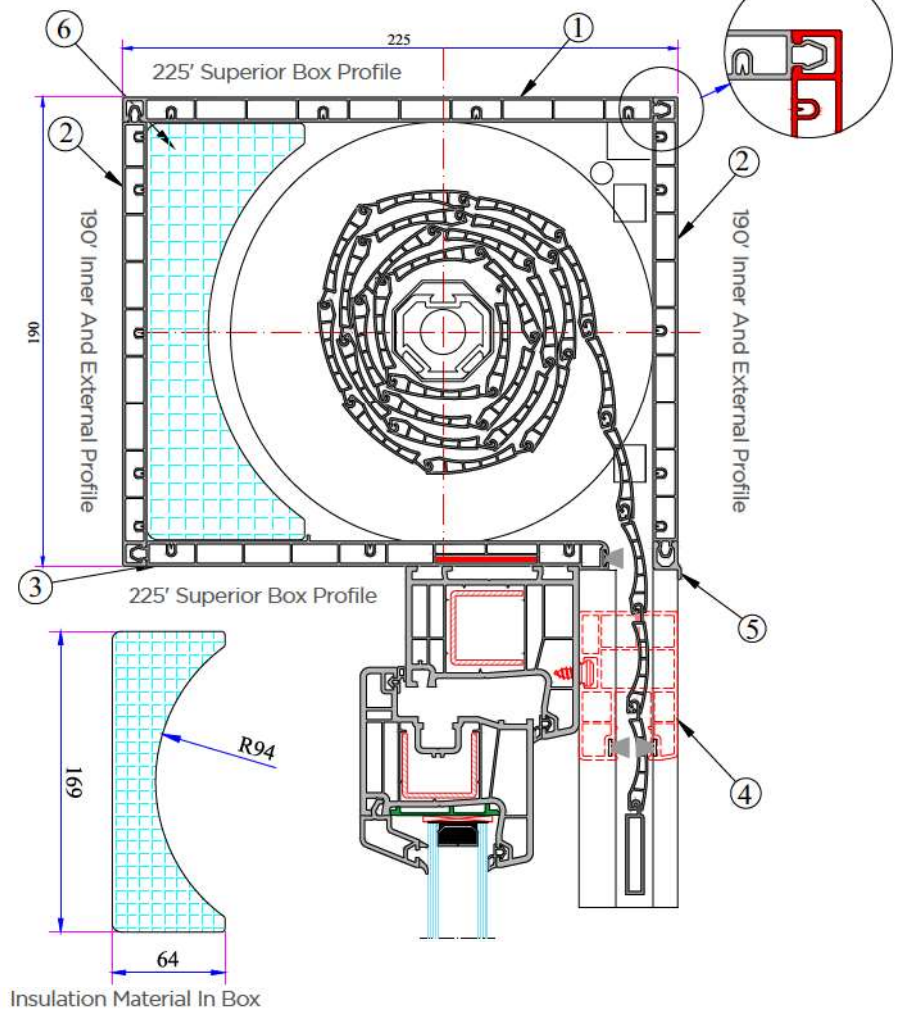
Shutter Side External Cover
34019-11030

ROLLER SHUTTER PROFILE SYSTEM

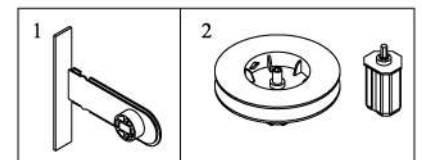
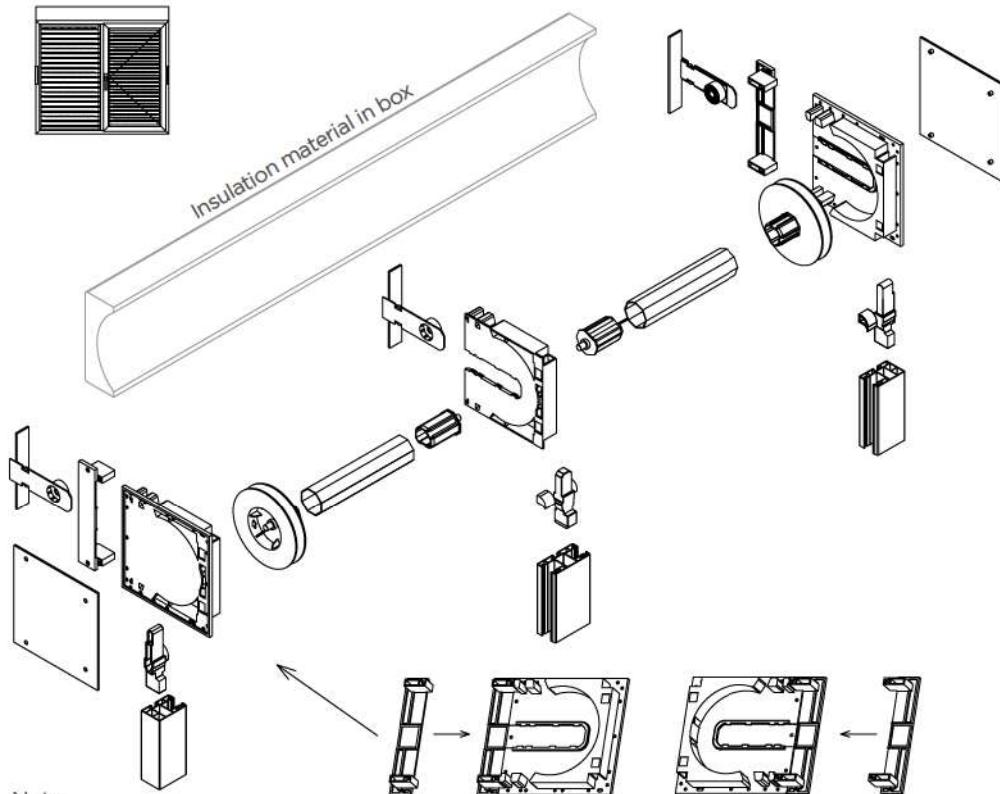
- 1- 225' Shutter Box Profile
- 2- 190' Shutter Box Profile
- 3- 225' Shutter Bottom Box Profile
- 4- 37 - 55 Shutter Side Rail Profile
- 5- Alm. Bumber Bead
- 6- Shutter Insulation Material

190X225mm Shutter Box Profile	
225x225mm Shutter Superior Box Profile	1 Piece
190x190mm Shutter External and Inner Profile	2 Pieces
225x225mm Shutter Bottom Box Profile	1 Piece

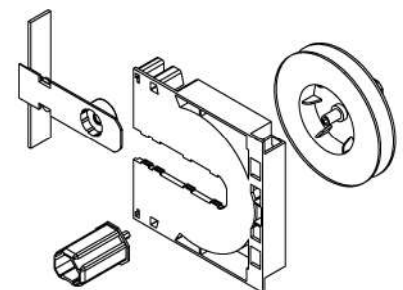
- 1- For 2400mm height, 37mm total 66 pieces lamel + alm. Screw will be used. (H/37mm + 1 Piece)
- 2- Total quantity of lamels is 27 in 1m 27. (1000/37mm)



Insulation Material In Box



The normal 190x190mm shutter is becoming a 190x225mm shutter box cover insulated with an additional extension cover on the inner side cover.



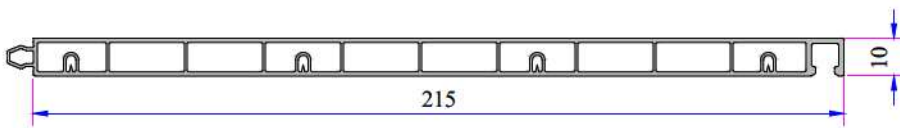
Optional Pieces For Single Head Control

Note:

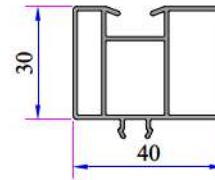
- 1- In case of motorized roller shutter use, only the inner side of the roller bearing should be selected as rectangular. The picture is upwards section.
- 2- The single-point controlled (which does not matter whether it is corded or motorized) roller shutters including 2-3-4-pieces will have the option of transferring the small and large roller at each crossing point. The small and large rollers pass each other with hexagonal heads.

ROLLER SHUTTER PROFILE SYSTEM

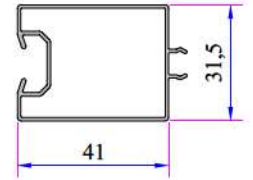
225x225mm SHUTTER BOXES



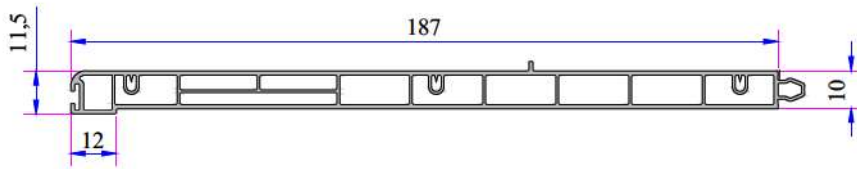
225x225' Insulated Superior Box Profile
097.5611



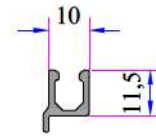
Shutter Side Rail
Lifting Profile
21108-01000



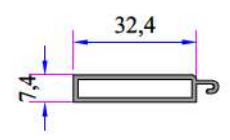
Shutter Side Rail
Lifting Profile
AD16-050



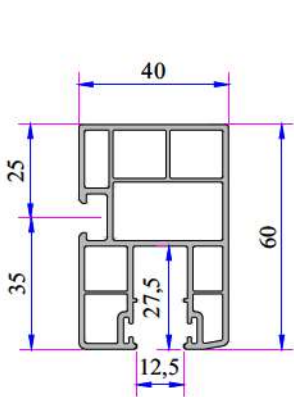
225x225' Insulated Bottom Profile
097.5612



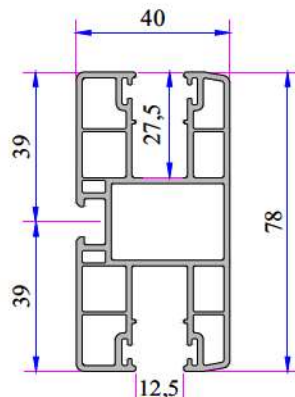
Alm. Bumber Bead
16036.601.5.11.9016



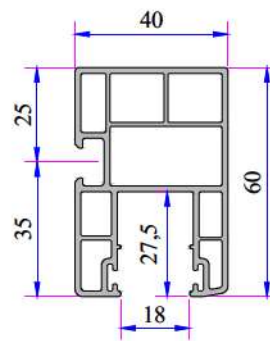
37' Blade Alm. For Weight
16012.601.5.11.9016



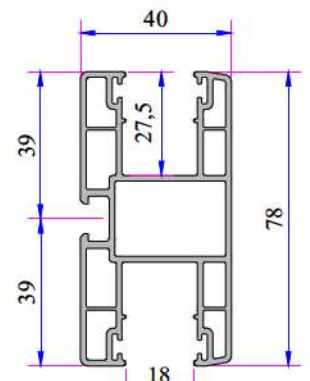
37' Side Blade
097.5602



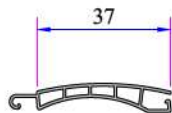
37' Middle Rail Blade
097.5603



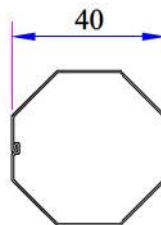
55' Side Rail Blade
097.5613



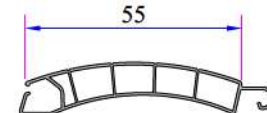
55' Middle Rail Blade
097.5614



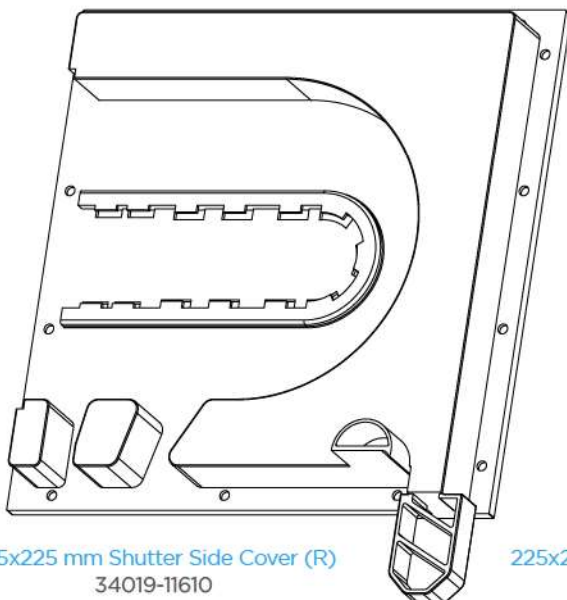
37' Shutter Blade
P.PNJ 1.37.IH.10



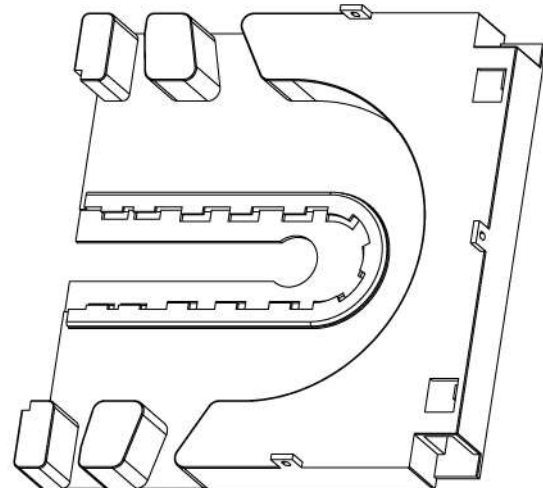
Shutter Rewinding Drum
Profile Galvanized
34019-41040



55' Shutter Blade
P.PNJ 1.55.10

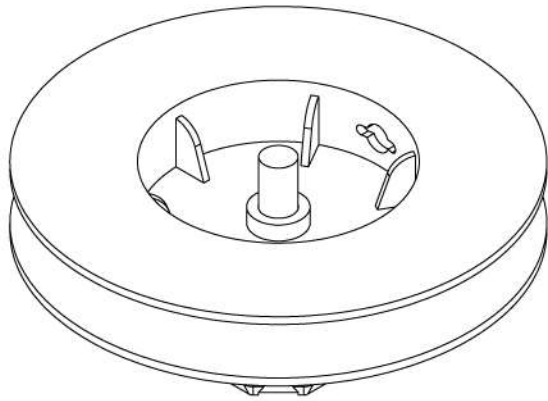


225x225 mm Shutter Side Cover (R)
34019-11610

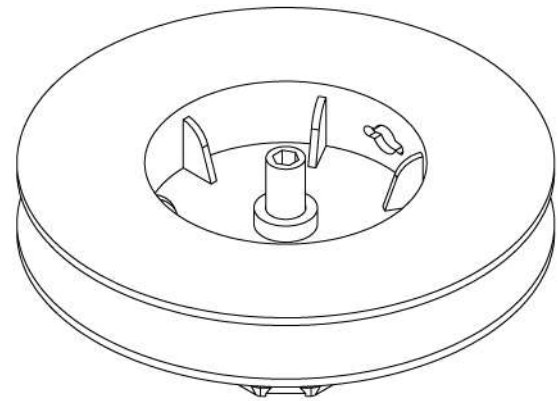


225x225 mm Shutter Middle Cover
34019-11710

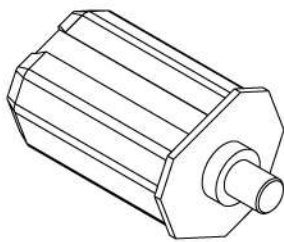
225x225 mm Shutter Side Cover (L)
34019-11620



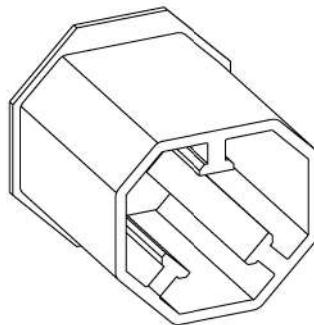
Shutter Big Roller
34019-11280



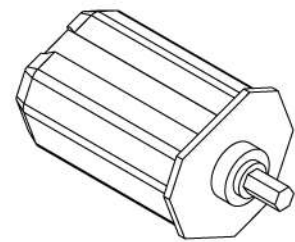
Big Roller (It Is Controlled By Unique Point)
34019-11420



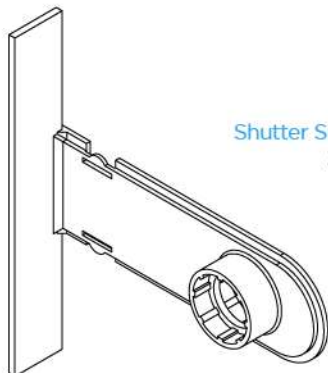
Shutter Small Roller
34019-11290



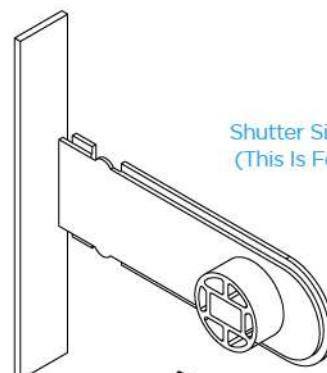
Shutter 40x60 Muff
34019-11300



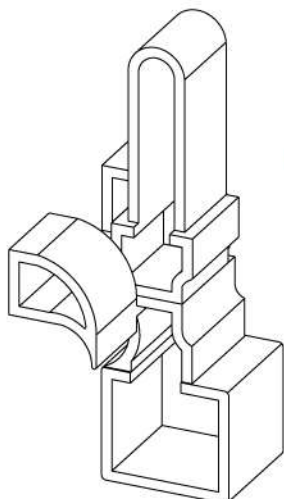
Small Roller (It is Controlled By Unique Point)
34019-11410



Shutter Side And Middle Roller
34019-11250

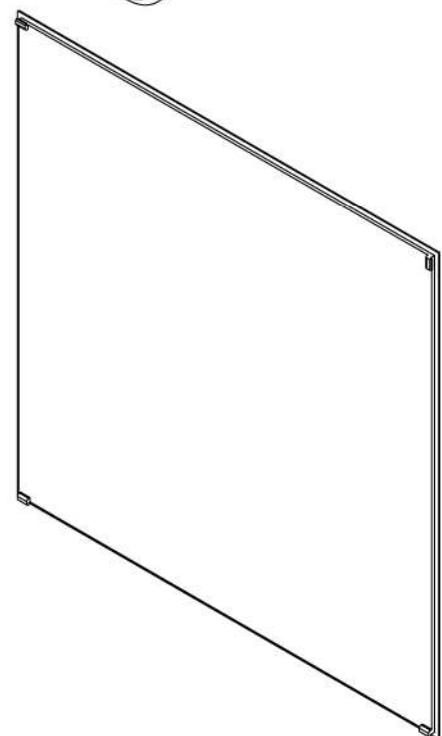


Shutter Side And Middle Roller Sitting
(This Is For Motorized Roller Shutter)
34019-11260

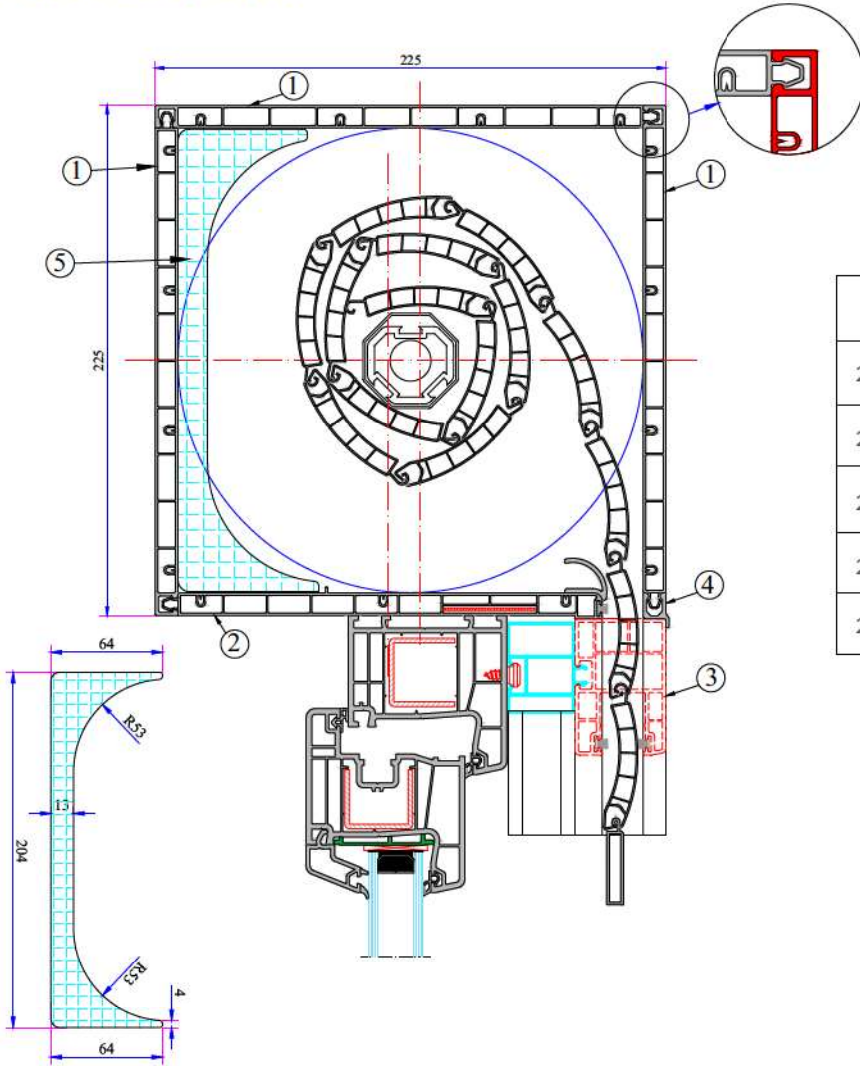


Shutter Middle Rail Sled
34019-11310

Shutter External Side Cover
34019-11510

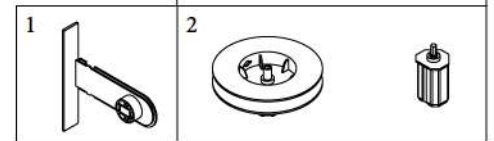
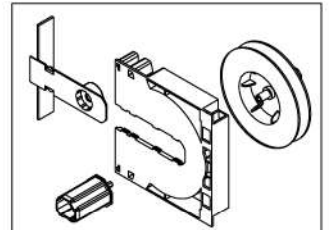


ROLLER SHUTTER PROFILE SYSTEM

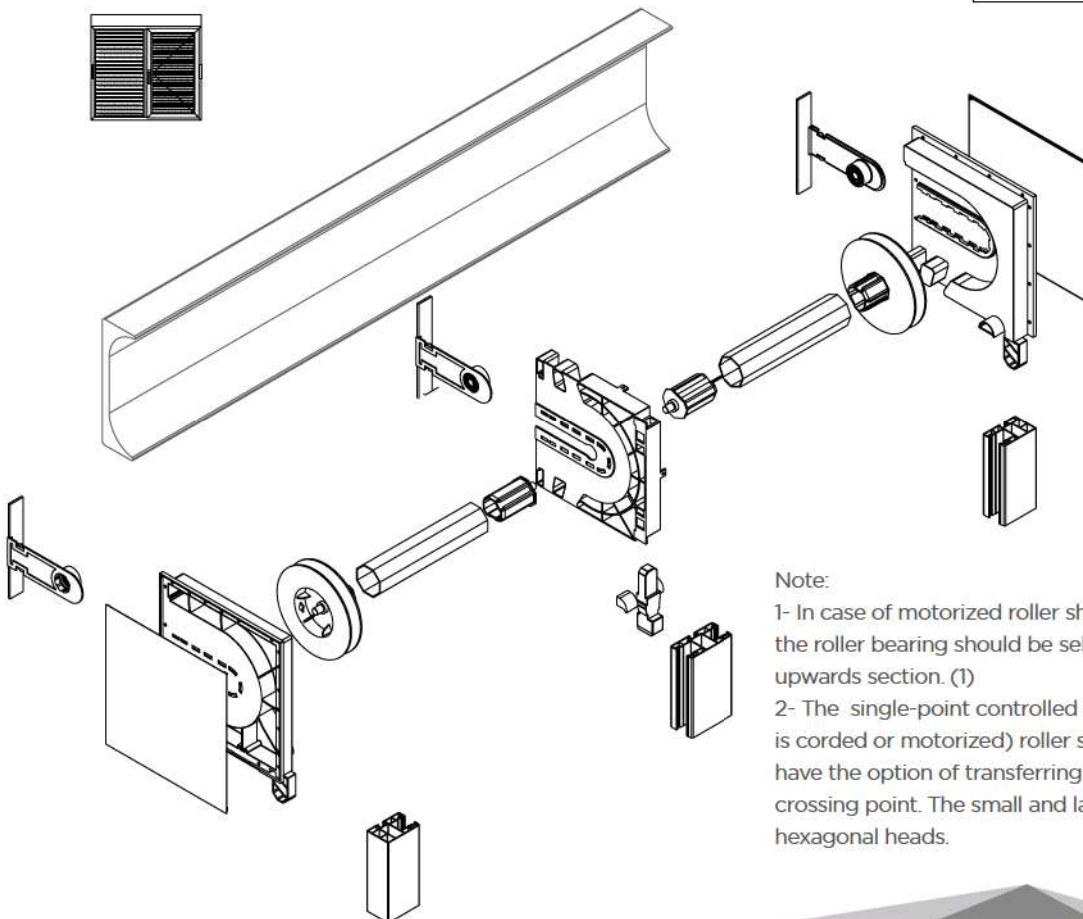


Insulation Material For Boxes

225x225mm Shutter Box Set	
225x225mm Shutter Inner And External Box Profile	3 Pieces
225x225mm Shutter Lower Side Box Profile	1 Piece
225x225mm Shutter Side Rail Profile	2 Pieces
225x225mm Alm. Bumber Bead	1 Piece
225x225mm Insulation Materials For Boxes	1 Piece



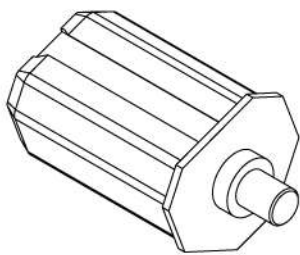
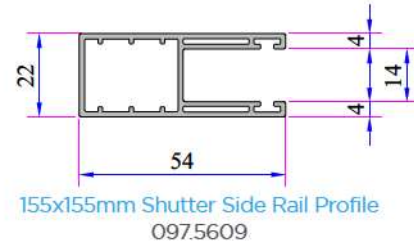
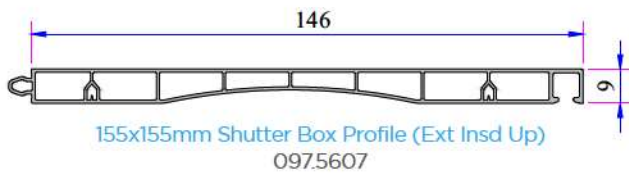
Optional Pieces For Single Hand Control



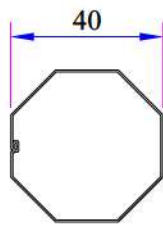
Note:

- 1- In case of motorized roller shutter use, only the inner side of the roller bearing should be selected as rectangular. The picture is upwards section. (1)
- 2- The single-point controlled (which does not matter whether it is corded or motorized) roller shutters including 2-3-4-pieces will have the option of transferring the small and large roller at each crossing point. The small and large rollers pass each other with hexagonal heads.

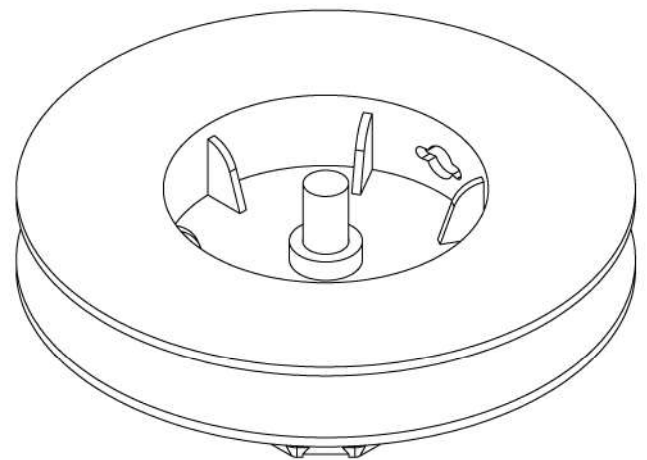
155x155mm SHUTTER BOXES



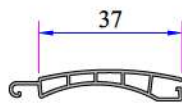
Shutter Small Roller
34019-11290



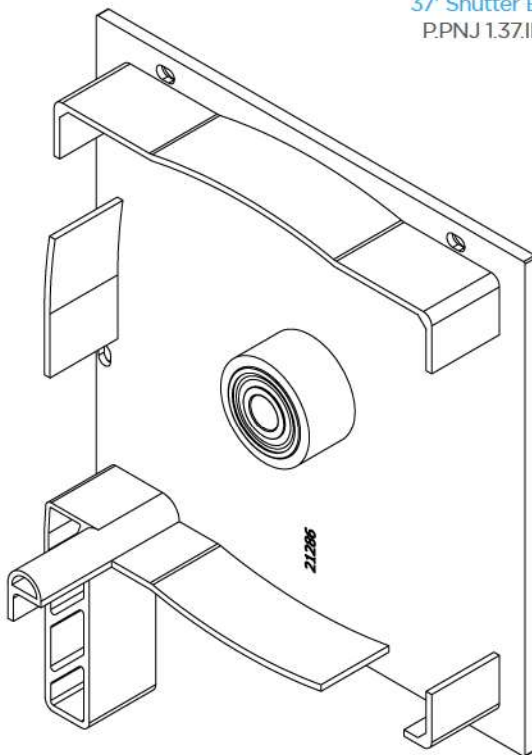
Shutter Rewinding Drum Galvanized
34019-41040



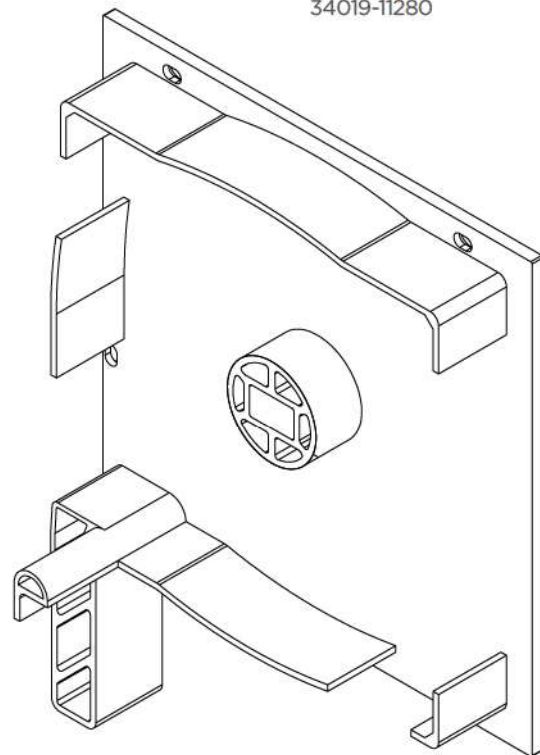
Shutter Big Roller
34019-11280



37' Shutter Blade
P.PNJ 1.37.IH.10

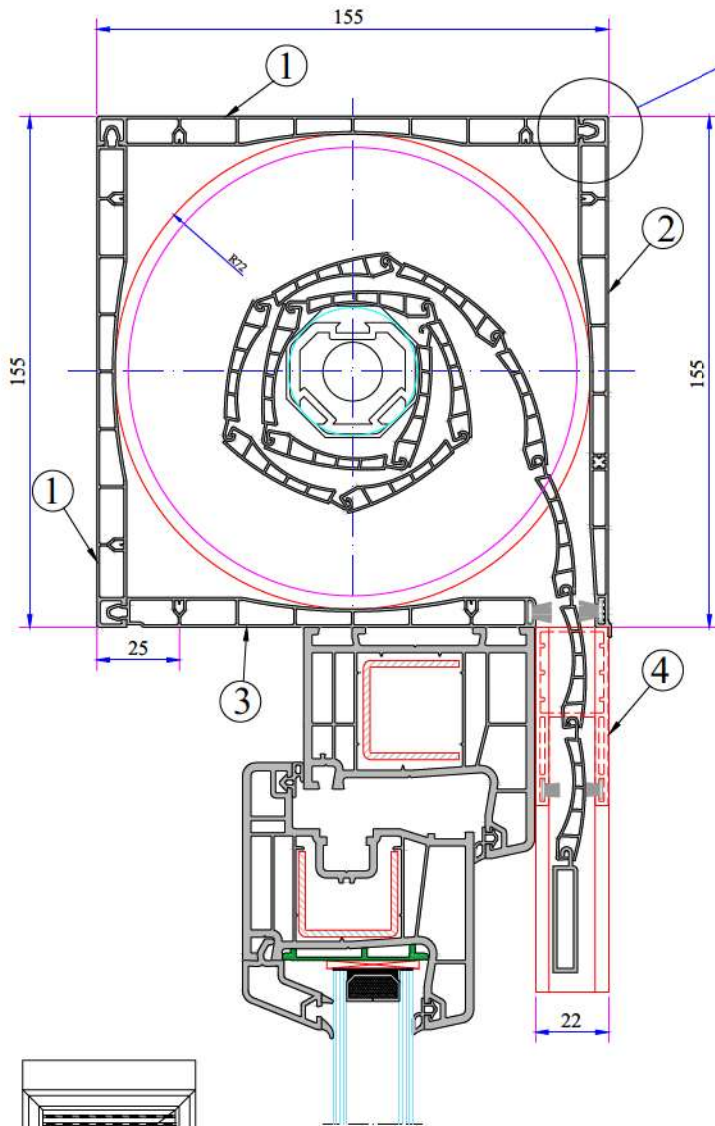
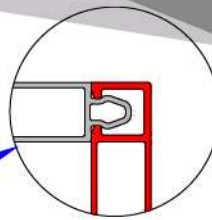


155x155 mm Corded Shutter Side Profile Left
Right Are Different)
34019-11040

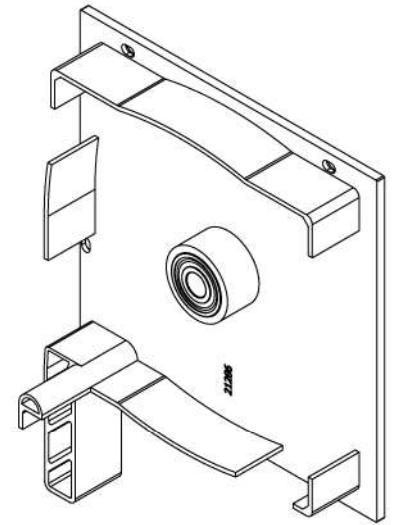


155x155 mm Motorized Shutter Side Cover (Left
And Right Are Different)
34019-11050

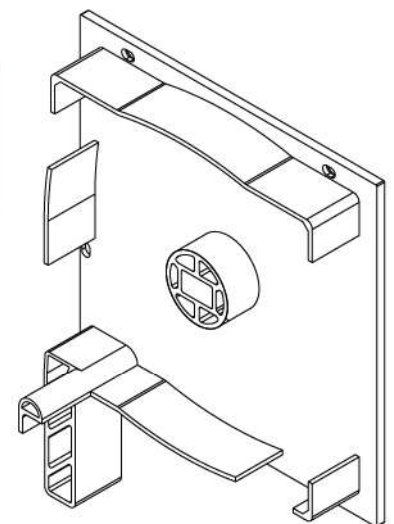
ROLLER SHUTTER PROFILE SYSTEM



155x155mm Roller Shutter Box Systems		
1	Shutter Inner And Superior Box Profile	2 Pieces
2	Shutter External Box Profile	1 Piece
3	Shutter Lower Side Box Profile	1 Piece
4	Shutter Side Rail Profile	2 Pieces



155x155 mm Corded Shutter Side Cover
(Right And Left Side Are Different)
34019-11040

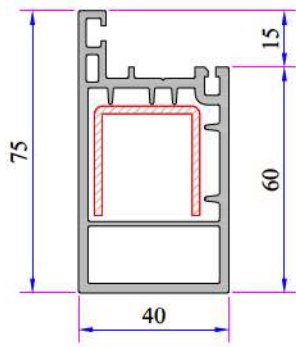


155x155 mm Motorized Shutter Side Cover
(Right And Left Sides Are The Same)
34019-11050

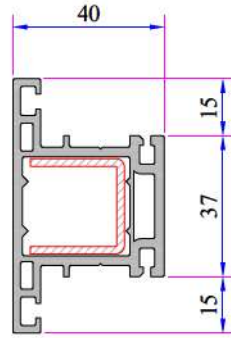
Note:

1- In the case of motorized roller shutter, only the inner part of roller bearing must be rectangular. The image is as above. (1)

SHUTTER MAIN PROFILES



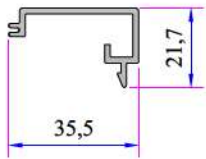
Sash Profile
098.5900



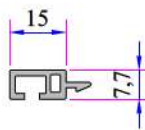
Mullion Profile
098.5901



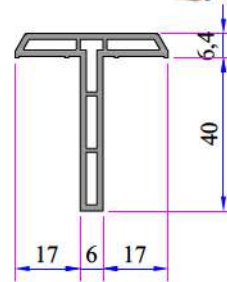
SHUTTER AUXILIARY PROFILES



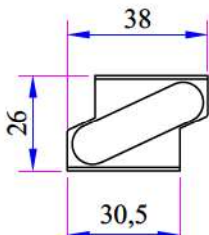
Sash Cover Profile
098.5905



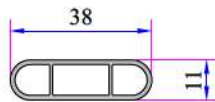
Shutter Blade Bead
098.5904



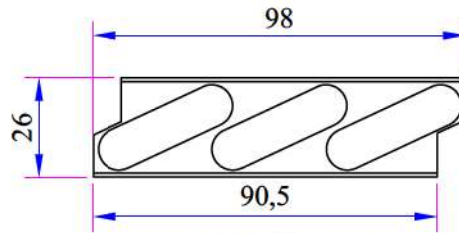
T Profile
098.5902



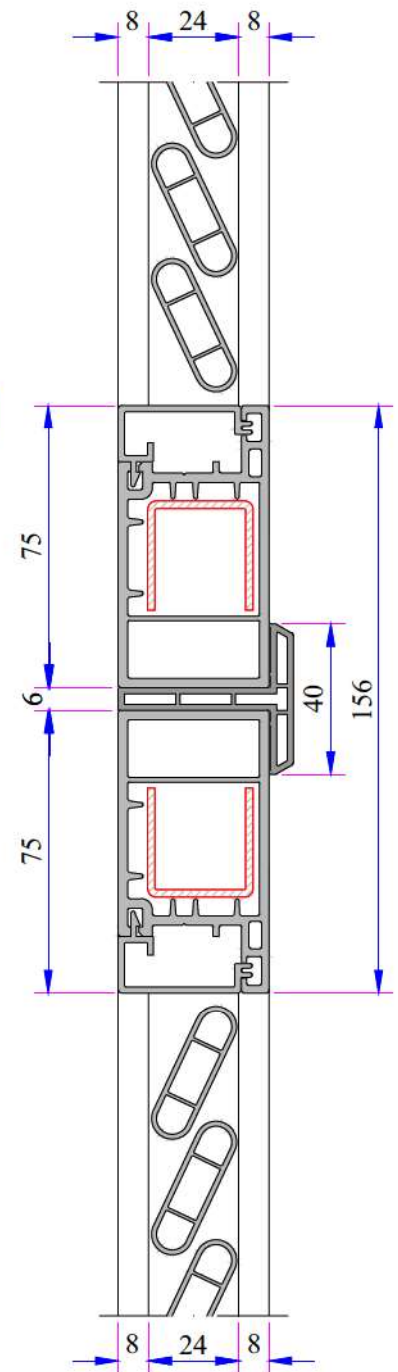
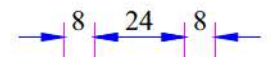
Single Sled
34020-11010



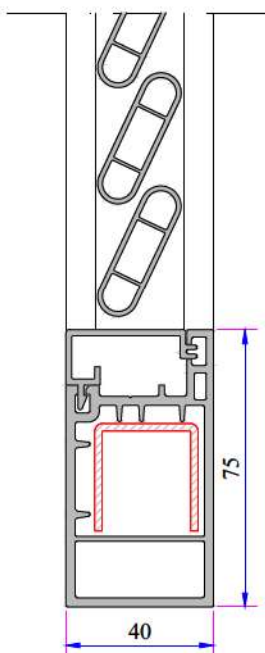
Shutter Blade
098.5903



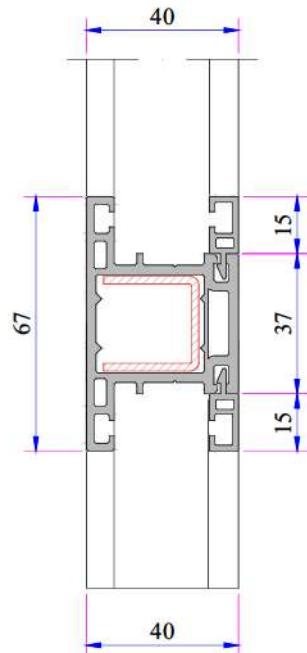
Shutter Blade Bead
34020-11020



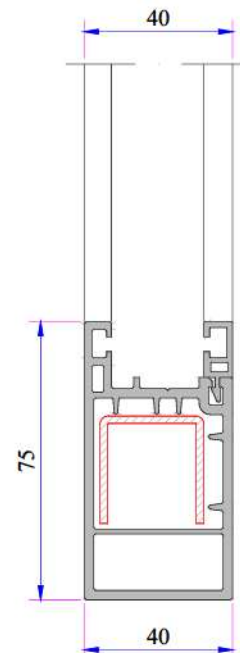
SHUTTER INSTALLATION



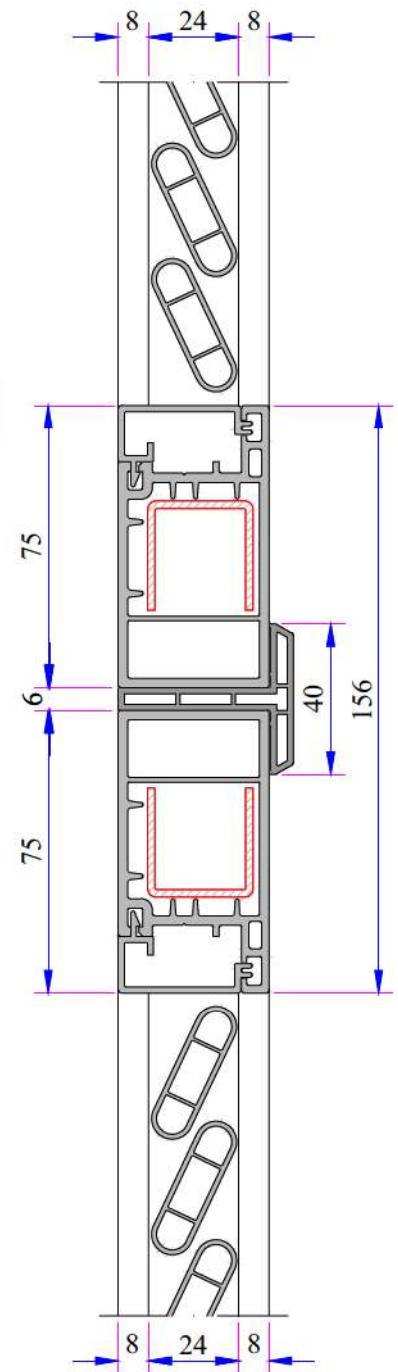
Shutter Blade Sash Installation



Shutter Mullion Installation

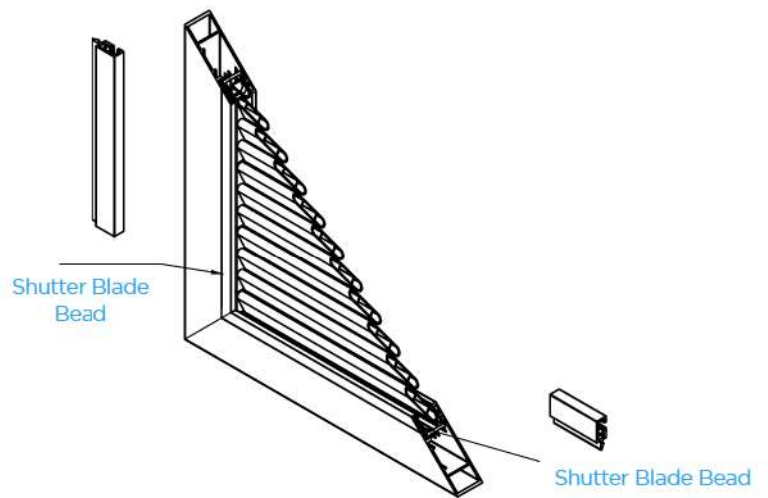
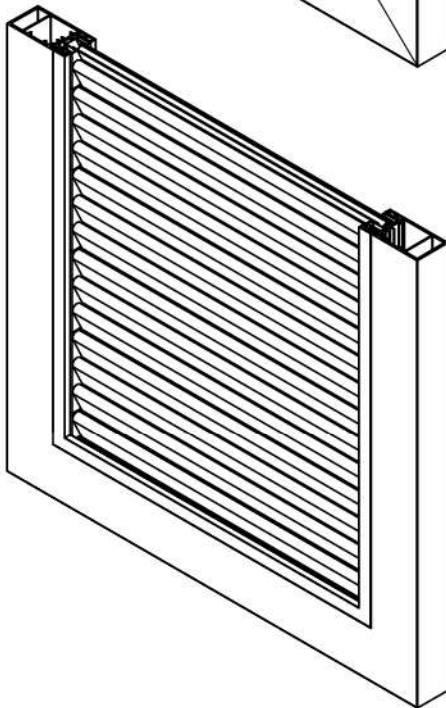
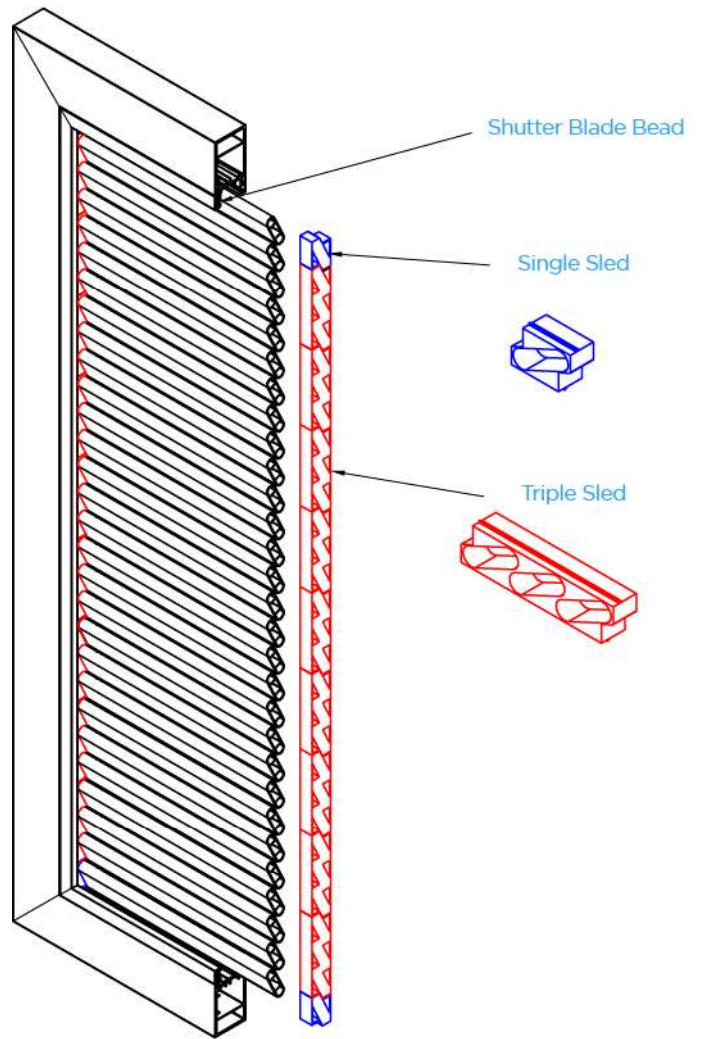
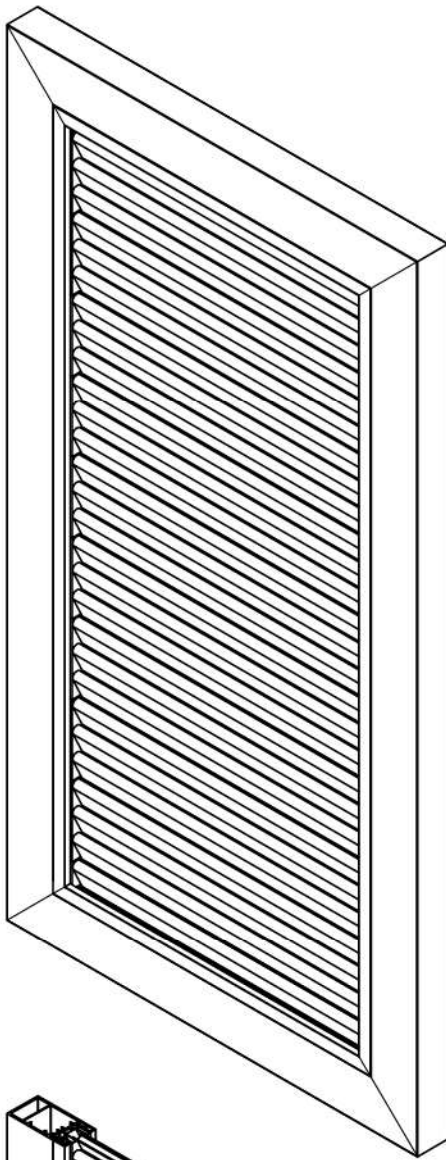


Shutter Blade Bead Installation

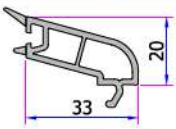
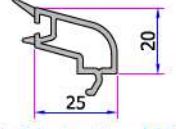
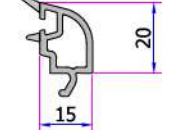
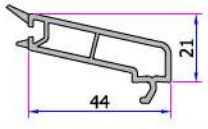
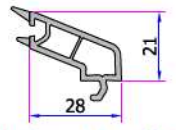
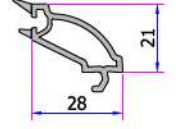
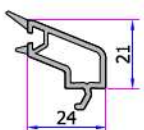
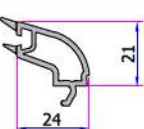
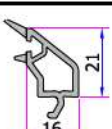


Shutter Installation

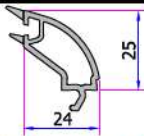
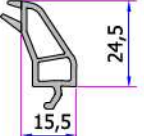
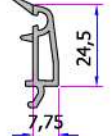
SHUTTER SYSTEM



GLAZING BEAD COMBINATION TABLE

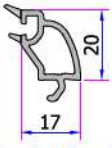
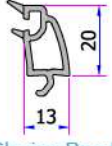
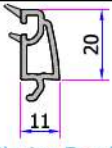
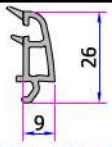
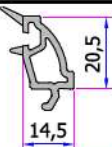
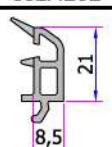
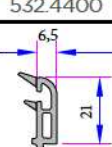
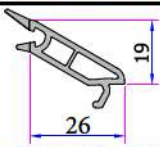
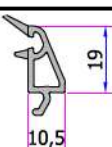
80' Serie Glazing Beads (800-860) & for 873 series Frame and Mullion						
 <p>Double Glazing Bead (24mm) 800.4200</p>	Series	80 Series	70 Series	60 Series	232 Sliding Series	222 Sliding Series
	Glass Thickness	24 mm	15 mm	6-8 mm		
 <p>Double Glazing Bead (32mm) 800.4500</p>	Series	80 Series	70 Series	60 Series	232 Sliding Series	222 Sliding Series
	Glass Thickness	32 mm	24 mm	17 mm	6 mm	
 <p>Double Glazing Bead (42mm) 800.4600</p>	Series	80 Series	70 Series	60 Series	232 Sliding Series	222 Sliding Series
	Glass Thickness	42 mm	34 mm	26 mm	16 mm	8 mm
70' Serie Glazing Beads (750-752) & for 760 series Frame and Mullion						
 <p>Single Glazing Bead (4-6mm) 750.4000</p>	Series	80 Series	70 Series	60 Series	232 Sliding Series	222 Sliding Series
	Glass Thickness	14 mm	4 mm			
 <p>Double Glazing Bead (20mm) 750.4100</p>	Series	80 Series	70 Series	60 Series	232 Sliding Series	222 Sliding Series
	Glass Thickness	30 mm	20 mm	12 mm	4 mm	
 <p>Dec. Double Glazing Bead (20mm) 750.4102</p>	Series	80 Series	70 Series	60 Series	232 Sliding Series	222 Sliding Series
	Glass Thickness	30 mm	20 mm	12 mm	4 mm	
 <p>Double Glazing Bead (24mm) 750.4200</p>	Series	80 Series	70 Series	60 Series	232 Sliding Series	222 Sliding Series
	Glass Thickness	32-34 mm	24 mm	17 mm	8 mm	
 <p>Dec. Double Glazing Bead (24mm) 750.4204</p>	Series	80 Series	70 Series	60 Series	232 Sliding Series	222 Sliding Series
	Glass Thickness	32-34 mm	24 mm	17 mm	8 mm	
 <p>Triple Glazing Bead (32mm) 750.4500</p>	Series	80 Series	70 Series	60 Series	232 Sliding Series	222 Sliding Series
	Glass Thickness	42 mm	32 mm	24 mm	15 mm	8 mm

GLAZING BEAD COMBINATION TABLE

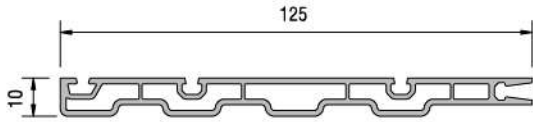
Triple Sealed Series Glazing Beads (873 - 777)						
 Double Glazing Bead (24mm) 777.4204	Series	873 Series	777 Series	60 Series	232 Sliding Series	222 Sliding Series
	Glass Thickness	24 mm	24 mm			
 Triple Glazing Bead (32mm) 433.4200	Series	873 Series	777 Series	60 Series	232 Sliding Series	222 Sliding Series
	Glass Thickness	32 mm	32 mm			
 Triple Glazing Bead (40mm) 433.4500	Series	873 Series	777 Series	60 Series	232 Sliding Series	222 Sliding Series
	Glass Thickness	40 mm	40 mm			

60' Serie Glazing Beads (760 - 632 - 624 - 101)						
 Single Glazing Bead (4mm) 101.4002	Series	80 Series	70 Series	60 Series	232 Sliding Series	222 Sliding Series
	Glass Thickness	22 mm	12 mm	4 mm		
 Dec. Double Glazing Bead (20mm) 101.4100	Series	80 Series	70 Series	60 Series	232 Sliding Series	222 Sliding Series
	Glass Thickness	38 mm	28 mm	20 mm	12 mm	4 mm
 Double Glazing Bead (20mm) 101.4102	Series	80 Series	70 Series	60 Series	232 Sliding Series	222 Sliding Series
	Glass Thickness	38 mm	28 mm	20 mm	12 mm	4-5 mm
 Dec. Double Glazing Bead (24mm) 101.4202	Series	80 Series	70 Series	60 Series	232 Sliding Series	222 Sliding Series
	Glass Thickness	42 mm	32 mm	24 mm	15 mm	8 mm
 Triple Glazing Bead (32mm) 101.4500	Series	80 Series	70 Series	60 Series	232 Sliding Series	222 Sliding Series
	Glass Thickness	50 mm	40 mm	32 mm	24 mm	17 mm

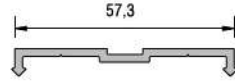
GLAZING BEAD COMBINATION TABLE

60' Serie Glazing Beads (760-632-624-101)						
 <p>Double Glazing Bead (24mm) 900.4206</p>	Series	80 Series	70 Series	60 Series	232 Sliding Series	222 Sliding Series
	Glass Thickness	40 mm	32 mm	24 mm	15 mm	6-8 mm
 <p>Double Glazing Bead (28mm) 900.4306</p>	Series	80 Series	70 Series	60 Series	232 Sliding Series	222 Sliding Series
	Glass Thickness	44 mm	36 mm	28 mm	18 mm	10 mm
 <p>Double Glazing Bead (30mm) 900.4406</p>	Series	80 Series	70 Series	60 Series	232 Sliding Series	222 Sliding Series
	Glass Thickness	46 mm	38 mm	30 mm	20 mm	14 mm
 <p>Double Glazing Bead (32mm) 900.4506</p>	Series	80 Series	70 Series	60 Series	232 Sliding Series	222 Sliding Series
	Glass Thickness	48 mm	40 mm	32 mm	22 mm	15 mm
 <p>Double Glazing Bead (24mm) 532.4202</p>	Series	80 Series	70 Series	60 Series	232 Sliding Series	222 Sliding Series
	Glass Thickness	42 mm	34 mm	26 mm	16 mm	8 mm
 <p>Double Glazing Bead (30mm) 532.4400</p>	Series	80 Series	70 Series	60 Series	232 Sliding Series	222 Sliding Series
	Glass Thickness	48 mm	40 mm	32 mm	22 mm	15 mm
 <p>Triple Glazing Bead (32mm) 532.4500</p>	Series	80 Series	70 Series	60 Series	232 Sliding Series	222 Sliding Series
	Glass Thickness	50-52 mm	42 mm	34 mm	24 mm	18 mm
Sliding Serie Glazing Beads (232)						
 <p>Single Glazing Bead (4mm) 332.4000</p>	Series	80 Series	70 Series	60 Series	232 Sliding Series	222 Sliding Series
	Glass Thickness	30 mm	22 mm	14 mm	4 mm	
 <p>Double Glazing Bead (20mm) 332.4100</p>	Series	80 Series	70 Series	60 Series	232 Sliding Series	222 Sliding Series
	Glass Thickness	46 mm	38 mm	30 mm	20 mm	14 mm

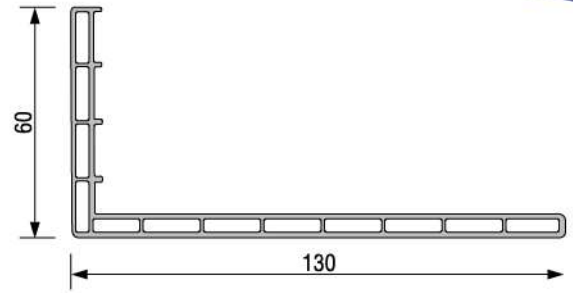
AUXILIARY PROFILE



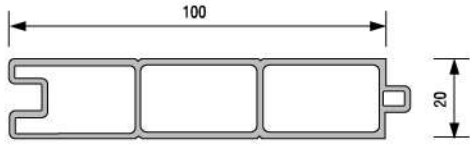
Dcr. Window Border (125x10)
PYRD 1.DPP



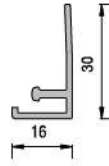
Dcr. Window Border Fixing Prf.
PYRD 1.DPM



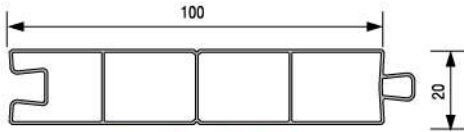
60x130 Border Profile
099.5503



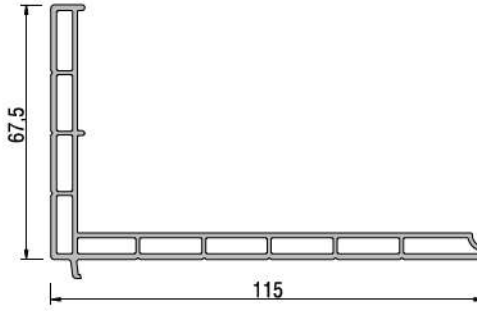
Panel Profile
099.5400



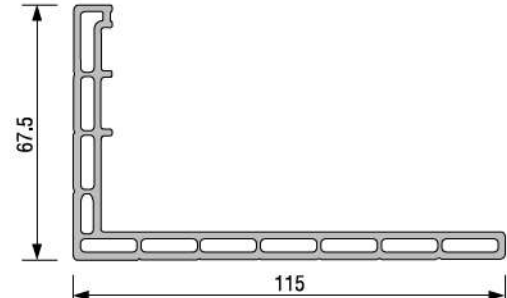
Dcr. Window Border F Profile
PYRD 1.DPF



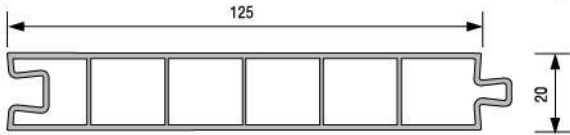
New Panel Profile
099.5401



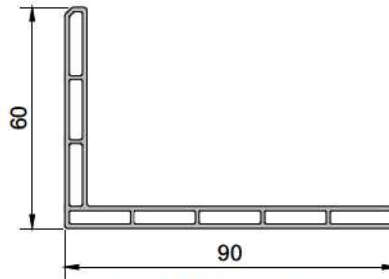
Panel Profile (67.5x115)
099.5506



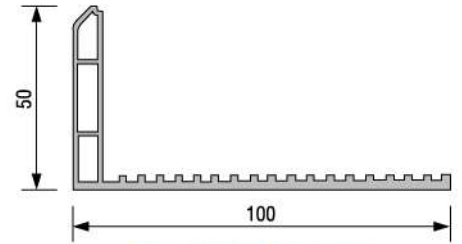
Frame Panel Profile
099.5505



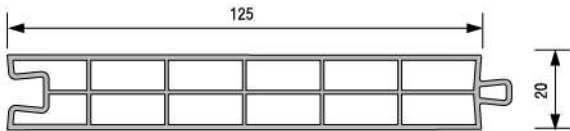
Panel Profile (125)
099.5404



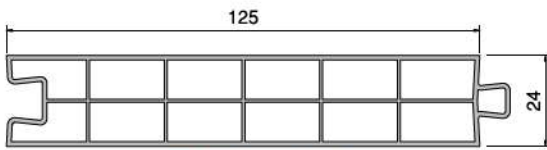
Panel Profile (60x90)
099.5502



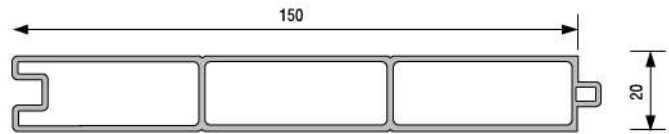
Panel Profile (50x100)
099.5501



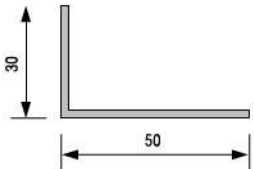
Panel Profile Two Layers (125)
099.5405



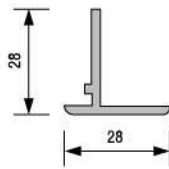
125x24 Panel Profile
099.5408



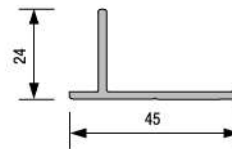
Panel Profile
099.5407



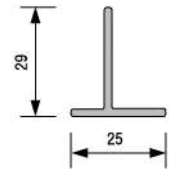
L Profile 30x50
099.5500



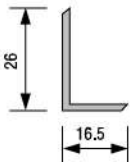
T Profile
099.5509



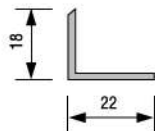
T Panel Profile
099.5508



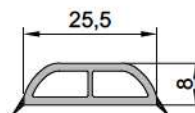
T Profile
099.5507



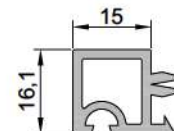
Large L Profile
099.5511



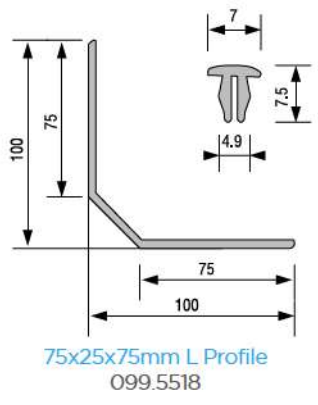
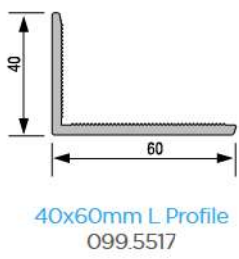
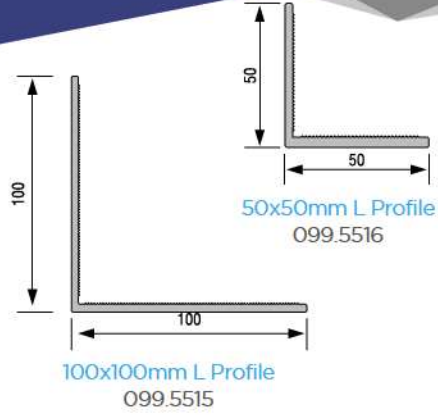
Narrow L Profile
099.5510



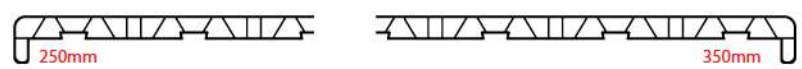
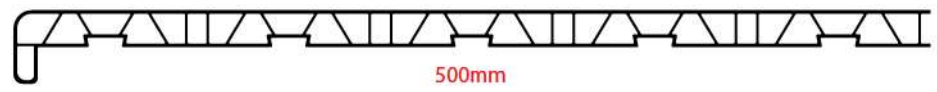
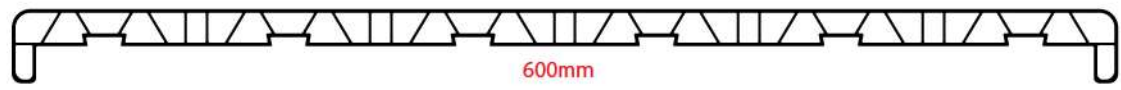
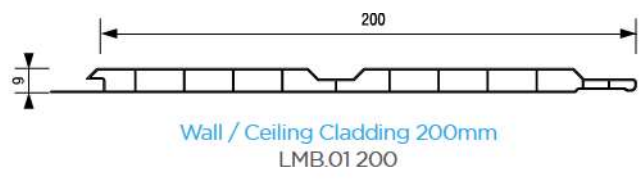
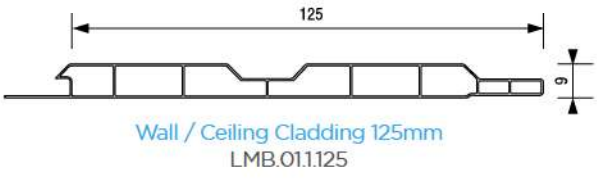
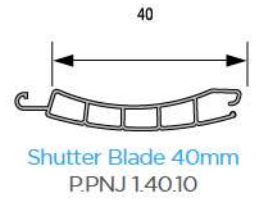
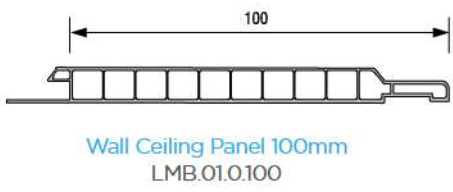
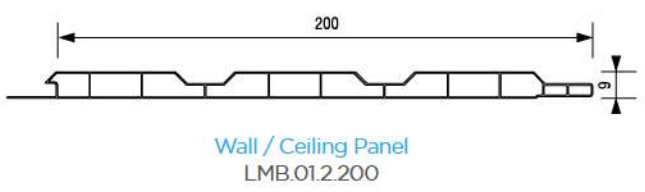
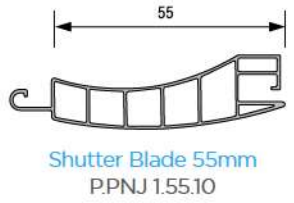
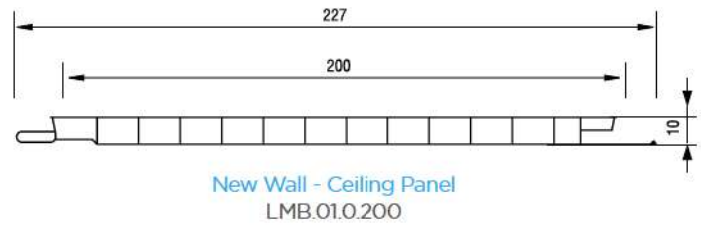
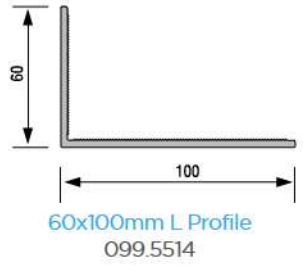
Glass Separation Bead
099.4702



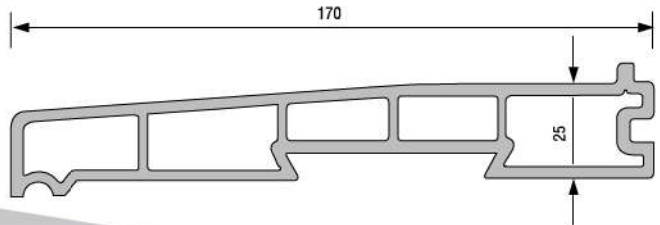
Frame Sill Profile 15mm
099.5525



Frame Channel
Cover Profile
099.5703



Sill Profile
099.55.13







www.ado.com.tr

FACTORY

Antalya Organize Sanayi Bölgesi 2.Kısım Mah. 21.Cadde No:3

07040 Döşemealtı / ANTALYA / TURKEY

Tel : +90 242 236 20 00 · Faks : +90 242 236 20 90 · Email : info@ado.com.tr

